

Anybus Communicator CAN - PROFINET IRT INSTALLATION SHEET



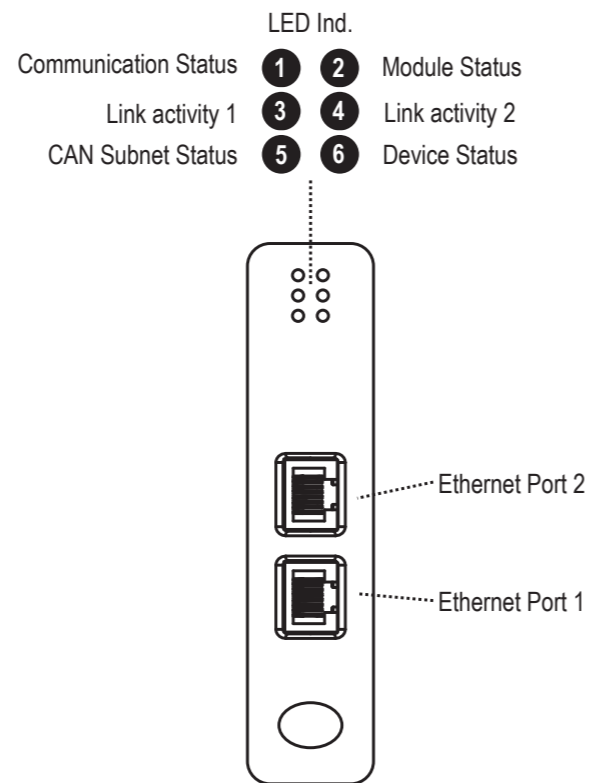
HMS Industrial Networks AB
Web: www.anybus.com
Tel: +46 35 172900
E-mail: info@hms.se



SP1315, rev 2.00, Apr 2012, AB7320

www.anybus.com

Module Front



LED Indicators

LED no	Indication	Meaning
1 (Communication Status)	Off	Off line
	Single flash, green	On-line, STOP (connection established, IO controller in STOP State)
2 (Module Status)	Green	On-line, RUN (connection established, IO controller in RUN State)
	Off	No power or not initialized
	Green	No error, initialized
	Single flash, green	Diagnostic data available
	Double flash, green	Blink, used to identify the device
	Single flash, red	Configuration error
3 (Link activity 1) 4 (Link activity 2)	Triple flash, red	No Station Name or no IP Address assigned
	Quadruple flash, red	Internal error
	Off	No link established on port 1/2
	Green	Link established on port 1/2
5 (CAN Subnet Status)	Flickering green	Exchanging packets on port 1/2
	Off	Power off/no CAN communication
	Green	Running with no transaction errors/timeout
	Flashing red	Transaction error/timeout or subnetwork stopped
6 (Device Status)	Red	Fatal error
	Alternating red/green	Power off/initializing
	Green	Invalid or missing configuration
	Flashing green	Run
	Red	Idle
		Fatal error

Accessories Checklist

The following items are required for installation:

- Anybus Configuration Manager - Communicator CAN (available at www.anybus.com)
- CAN cable (included D-sub can be used)
- USB cable (type B) for configuration download
- LAN cable (not included)

PROFINET IRT Notes:

- A GSD file for the PROFINET IRT interface of the Communicator is available for download from the support pages at www.anybus.com.
- Please refer to the manual for information about how to set the IP address and the Station Name of the module.

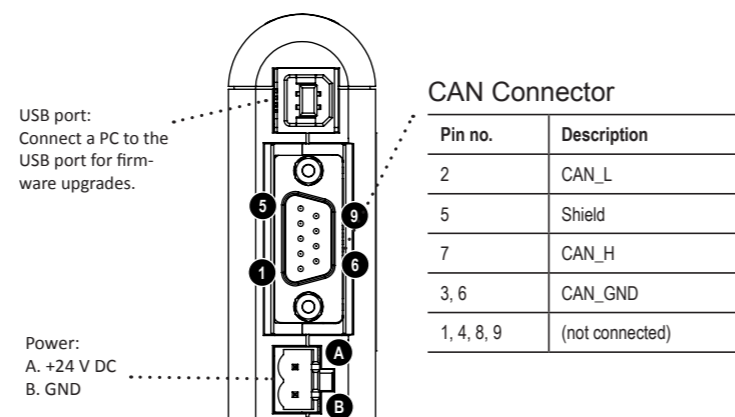
Installation and Startup Summary

- Build the configuration in the Anybus Configuration Manager.
- Mount the Communicator at its proper position.
- Connect the USB, LAN and CAN cables (if needed, use cables with terminations or add terminations).
- Power up the module and download the configuration.
- Remove the USB cable.

Network Access Port

Pin no	Description
1	TD+
2	TD-
3	RD+
6	RD-
4, 5, 7, 8	(reserved)

Bottom View



Technical Details

- Power supply:
24 V DC (-10% to +10%).
- Power consumption:
Maximum power consumption is 250 mA @ 24 V DC.
Typical power consumption: 100 mA @ 24 V DC.
- Protective Earth (PE):
Internal connection to PE via DIN-rail.
Note: Make sure the DIN-rail is properly connected to PE.

PROFINET Support

Technical questions regarding the PROFINET fieldbus system should be addressed to your local PROFINET user group.

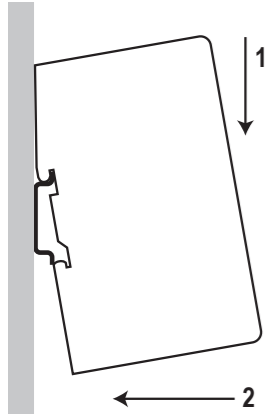
Online: www.profibus.org

For maintenance and support, contact the HMS support department. Contact information is available at the support pages at www.anybus.com.

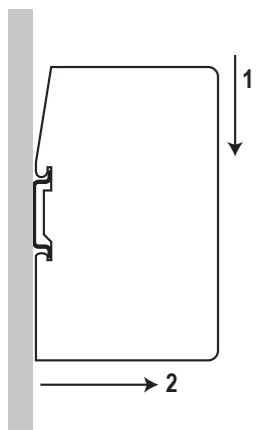
Further information and documents about this product can be found at the product pages on www.anybus.com.

Anybus Communicator CAN INSTALLATION SHEET

DIN-rail Mounting



To snap the gateway on, first press it downwards (1) to compress the spring in the DIN-rail mechanism, then push it against the DIN-rail as to make it snap on (2).



To snap the gateway off, push it downwards (1) and pull it out from the DIN-rail (2), as to make it snap off from the DIN-rail.

Additional Installation and Operating Instructions

Supply voltage: The X-gateway requires a regulated 24 V (21.6 V to 26.4 V) DC power source.

Field wiring terminal markings (wire type (Cu only, 14-30AWG)
"Use 60/75 or 75°C copper (CU) wire only"
Terminal tightening torque (5-7 lb-in (0.5 - 0.8 Nm)).

Use in Overvoltage Category I Pollution Degree 2 Environment.

Install in an enclosure considered representative of the intended use. To comply with ATEX directives, the equipment must be installed within an IP54 enclosure and must be installed with a transient suppressor on the supply that does not exceed 140% (33.6 V DC) of the nominal rated supply voltage.

Operating temperature/Surrounding temperature:
-25 to +55 degrees C @ 250 mA @ 24 V DC.

Maximum surface temperature: 135 degrees C.

Pressure: 850 - 1050 millibar.

This product is designed to safely operate in class I, division 2 Hazardous location according to ANSI/ISA 12.12.01-2011 and category 3, zone 2 according to EN 60079-0, EN 60079-11, and EN 60079-15.

SUITABLE FOR USE IN CLASS I, DIVISION 2, GROUPS A, B, C AND D HAZARDOUS LOCATIONS, OR NONHAZARDOUS LOCATIONS ONLY.

Warnings

- **WARNING - EXPLOSION HAZARD - SUBSTITUTION OF ANY COMPONENTS MAY IMPAIR SUITABILITY FOR CLASS I, DIVISION 2.**
- **WARNING - EXPLOSION HAZARD - WHEN IN HAZARDOUS LOCATIONS, TURN OFF POWER BEFORE REPLACING OR WIRING MODULES.**
- **WARNING - EXPLOSION HAZARD - DO NOT DISCONNECT EQUIPMENT WHILE THE CIRCUIT IS LIVE OR UNLESS THE AREA IS KNOWN TO BE FREE OF IGNITABLE CONCENTRATIONS.**
- **WARNING - EXPLOSION HAZARD - THE USB CONNECTOR IS NOT FOR USE IN HAZARDOUS LOCATIONS AND FOR TEMPORARY CONNECTION ONLY. DO NOT USE, CONNECT OR DISCONNECT UNLESS THE AREA IS KNOWN TO BE NONHAZARDOUS. CONNECTION OR DISCONNECTION IN AN EXPLOSIVE ATMOSPHERE COULD RESULT IN AN EXPLOSION.**
- **WARNING - INSTALL IN AN ENCLOSURE CONSIDERED REPRESENTATIVE OF THE INTENDED USE. TO COMPLY WITH ATEX DIRECTIVES, THE EQUIPMENT MUST BE INSTALLED WITHIN AN IP54 ENCLOSURE AND MUST BE INSTALLED WITH A TRANSIENT SUPPRESSOR ON THE SUPPLY THAT DOES NOT EXCEED 140% (33.6 V DC) OF THE NOMINAL RATED SUPPLY VOLTAGE.**

UL Certification



LISTED 67AM

Atex Certification

EX nA ic IIC T4 Gc



DEMKO 12 ATEX 1062548X

EMC Compliance (CE)



This product is in accordance with the EMC directive 2004/108/EC through conformance with the following standards:

- **EN 61000-6-4 (2007)**
Emission standard for industrial environment
EN 55016-2-3, Class A (2006)
- **EN 61000-6-2 (2005)**
Immunity for industrial environment
EN 61000-4-2 (2009)
EN 61000-4-3 (2006)
EN 61000-4-4 (2004)
EN 61000-4-5 (2005)
EN 61000-4-6 (2007)

Label Markings

Product number

Product name and description

Surrounding air temperature and electrical ratings

Warnings

Product information bar code

Anybus® Communicator™
CAN - XXXXXX

Article#: AB7XXX-X Serial#: SAMPLE
FW: X.XX
MAC-address: XX-XX-XX-XX-XX-XX

CE II 3 G Ex nA ic IIC T4 Gc
Demko 12 ATEX 1062548X
-25°C ≤ Ta ≤ 55°C

UL LISTED 67AM
IND: CONT. EQ. FOR HAZ LOC. CL I, DIV 2 GP A,B,C,D TEMP CODE T4

INPUT POWER: 24VDC 250mA TambMax= 55°C

RoHS Stationsgatan 37 302 45 Halmstad Sweden

WARNING: DO NOT USE USB CONNECTOR WHILE CIRCUIT IS LIVE UNLESS THE AREA IS KNOWN TO BE FREE OF IGNITIBLE CONCENTRATIONS OF FLAMMABLE GASES OR VAPORS

MFD. 10 04/12 MADE IN SWEDEN

HMS Industrial Networks AB
Stationsgatan 37
302 45 Halmstad
Sweden



Further information and documents about this product can be found at the product pages on www.anybus.com.