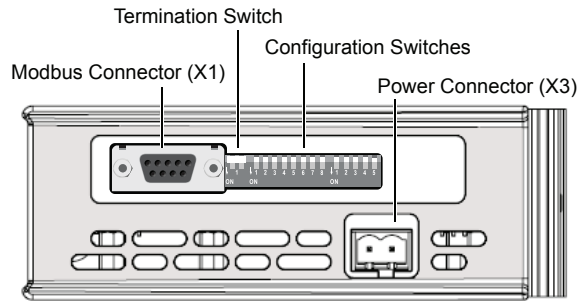


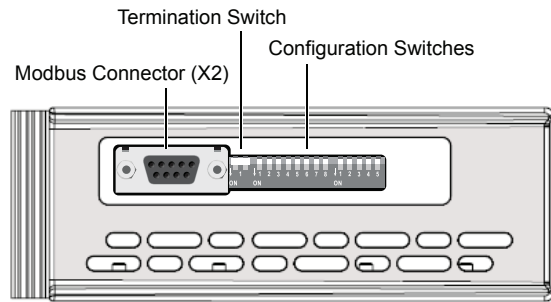
## Product Overview

The Modbus RTU Slave interface can be top- or bottom-mounted.

### Top-mounted Interface

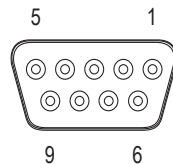


### Bottom-mounted Interface



### Modbus Connector

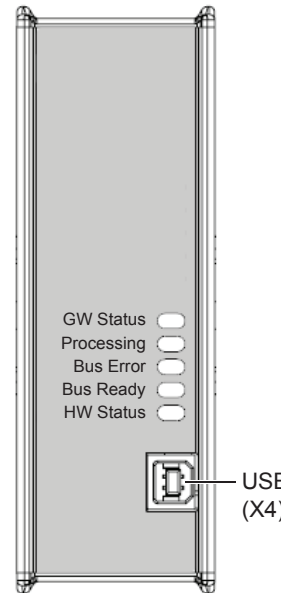
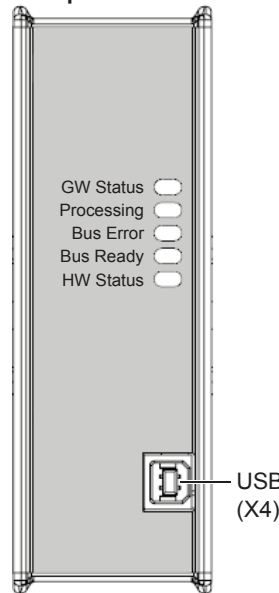
Pin	Signal
1, 4, 9	(not connected)
2	RS-232 Tx
3	RS-232 Rx
5	Signal Ground <sup>1</sup>
6	+5 V Output (50 mA max.) <sup>1</sup>
7	RS-485 Line B
8	RS-485 Line A
Housing	Shield



## LED Indicators

LED	Indication	Meaning
GW Status	See Gateway Installation Sheet	
Processing	Green (flashing)	Processing message
	Off	Not processing
Bus Error	Red	Bus error
	Off	Normal operation
Bus Ready	Green	Normal operation
	Red	Bus timeout error
	Off	Bus not running
HW Status	Red	Configuration switch error
	Off	-

### Top-mounted



## Installation and Startup Summary

1. Set a Node ID for the interface
2. Connect the gateway to the network
3. Connect a PC to the gateway via USB (optional)
4. Power up and (if required) configure the gateway

## Configuration Switches

**NOTE:** Changes to the configuration switches will only take effect after the gateway has been restarted.

The first 7 switches are used to set the node ID, using binary format.

Sw. 1	Sw. 2	Sw. 3	Sw. 4	Sw. 5	Sw. 6	Sw. 7	Node ID
64	32	16	8	4	2	1	(invalid)
OFF	OFF	OFF	OFF	OFF	OFF	OFF	1
OFF	OFF	OFF	OFF	OFF	OFF	ON	1
...	...	...	...	...	...	...	...
ON	ON	ON	ON	ON	ON	ON	127 (64+32+16+8+4+2+1)

The remaining switches are used to set the baud rate, the parity and stop bits, and the physical interface type. **Bold text** = default value.

Sw. 8	Sw. 1	Sw. 2	Baud rate
OFF	OFF	OFF	(invalid)
OFF	OFF	ON	1200 bps
OFF	ON	OFF	2400 bps
OFF	ON	ON	4800 bps
ON	OFF	OFF	9600 bps
ON	OFF	ON	<b>19200 bps</b>
ON	ON	OFF	38400 bps
ON	ON	ON	57600 bps

Sw. 3	Sw. 4	Parity	Stop bits
OFF	OFF	(invalid)	(invalid)
OFF	ON	<b>None</b>	<b>2</b>
ON	OFF	Even	1
ON	ON	Odd	1

Sw. 5	Interface
OFF	RS485
ON	RS232

## Termination switch

The Termination Switch must be set to **ON** if the gateway is installed as an end node on a RS485-based Modbus RTU network.

## Accessories Checklist

The following items are required for installation:

- USB cable (included)
- Modbus cable (not included)

## Technical Support

Technical support, documentation and software downloads are available at [www.anybus.com](http://www.anybus.com).

Technical questions regarding the Modbus RTU fieldbus system should be directed to [www.modbus.org](http://www.modbus.org).