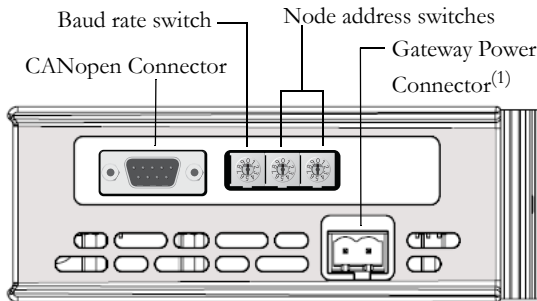




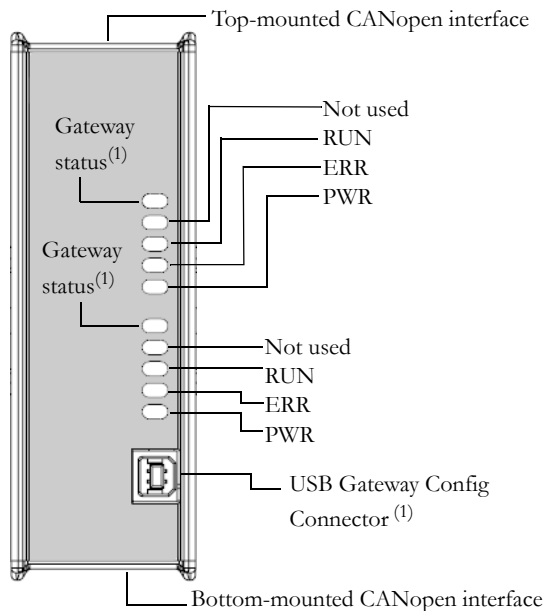
Product Overview

The CANopen Slave interface can be top or bottom-mounted. Both options are illustrated below. Install the gateway in an enclosure considered representative of the intended use.

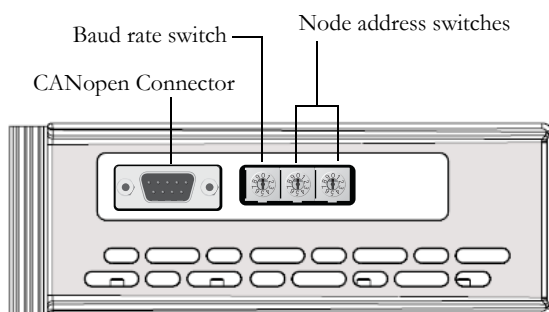
• Top-mounted Interface



• Front View

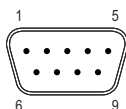


• Bottom-mounted Interface



CANopen Connector Pinout

Pin	Signal
1, 4, 8	(Reserved)
3, 6	CAN_GND
2	CAN_L
7	CAN_H
5, Housing	CAN_SHLD



¹ See Gateway Installation Sheet for more information.

Network Status LED:s

LED	Color/State	Indication
RUN	On	Operational state
	Blinking	Pre-operational state
	Single flash	Stopped state
	Off	Device not powered
ERR	On	Bus off
	Single flash	Warning limit reached
	Double flash	Error Control Event
	Triple flash	Sync Error
	Off	No error
PWR	On	Device powered
	Off	Device not powered

Baud Rate Switches

Switch Value	Baud Rate
0	(reserved)
1	10kbit/s
2	20kbit/s
3	50kbit/s
4	125kbit/s

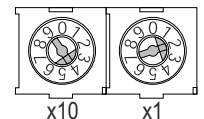
Switch Value	Baud Rate
5	250kbit/s
6	500kbit/s
7	800kbit/s
8	1Mbit/s
9	(reserved)

Address Switches

Two switches provide a node address in the range 1-99.

Example:

For MacID address 42
 $(4 \times 10) + (2 \times 1)$.



Accessories Checklist

The following items are required for installation:

- CANopen configuration tool (not included)
- CANopen cable (not included)
- USB cable (included)
- Suitable EDS file, available from www.anybus.com

Installation and Startup Summary

1. Connect the gateway to the FIP IO network.
2. Select a suitable node address using the onboard address switches.
3. If required, connect a PC to the gateway via the USB cable.
4. Power up and (if required) configure the gateway.

CANopen Support

Technical questions regarding the CANopen fieldbus system should be addressed to CAN in Automation at www.can-cia.de