



Anybus® Wireless Bridge

Ethernet-WLAN

INSTALLATION GUIDE

HMSI-27-201 SP2107 2.2 ENGLISH



Important User Information

Liability

Every care has been taken in the preparation of this document. Please inform HMS Industrial Networks AB of any inaccuracies or omissions. The data and illustrations found in this document are not binding. We, HMS Industrial Networks AB, reserve the right to modify our products in line with our policy of continuous product development. The information in this document is subject to change without notice and should not be considered as a commitment by HMS Industrial Networks AB. HMS Industrial Networks AB assumes no responsibility for any errors that may appear in this document.

There are many applications of this product. Those responsible for the use of this device must ensure that all the necessary steps have been taken to verify that the applications meet all performance and safety requirements including any applicable laws, regulations, codes, and standards.

HMS Industrial Networks AB will under no circumstances assume liability or responsibility for any problems that may arise as a result from the use of undocumented features, timing, or functional side effects found outside the documented scope of this product. The effects caused by any direct or indirect use of such aspects of the product are undefined, and may include e.g. compatibility issues and stability issues.

The examples and illustrations in this document are included solely for illustrative purposes. Because of the many variables and requirements associated with any particular implementation, HMS Industrial Networks AB cannot assume responsibility for actual use based on these examples and illustrations.

Intellectual Property Rights

HMS Industrial Networks AB has intellectual property rights relating to technology embodied in the product described in this document. These intellectual property rights may include patents and pending patent applications in the USA and other countries.

Trademark Acknowledgements

Anybus® is a registered trademark of HMS Industrial Networks AB. All other trademarks are the property of their respective holders.

1 Installation



Caution

This equipment emits RF energy in the ISM (Industrial, Scientific, Medical) band. Make sure that all medical devices used in proximity to this device meet appropriate susceptibility specifications for this type of RF energy.

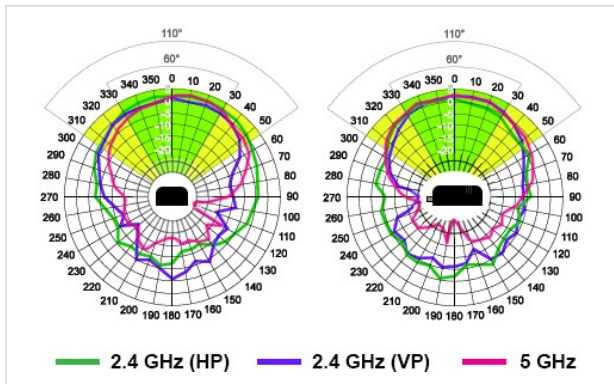


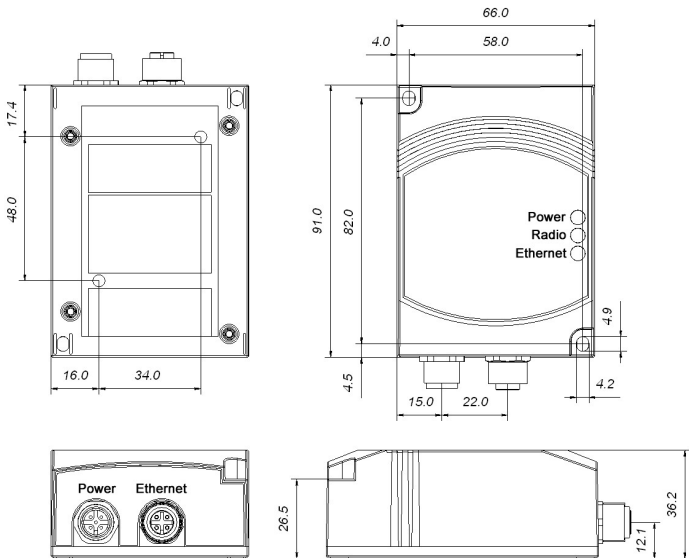
This product contains parts that can be damaged by electrostatic discharge (ESD). Use ESD protective measures to avoid equipment damage.

Make sure that you have all the necessary information about the capabilities and restrictions of your local network environment before installing the Anybus Wireless Bridge. Contact your network administrator if in doubt.

For optimal reception devices should be oriented front-to-front with a line of sight between them clear of obstructions. A minimum distance of 50 cm between the devices should be observed to avoid interference.

Internal Antenna Characteristics





Power connector pinning A-coded male M12



1. Vin + (9-30V)
2. Digital Input Ground
3. Vin Ground
4. Digital Input + (9-30V) or digital output
5. N/C (May be used for shield ground)

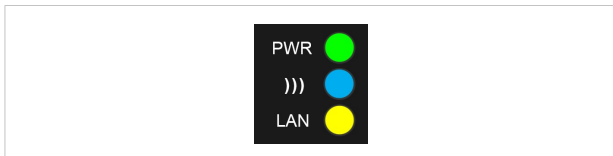
Ethernet connector pinning D-coded female M12



1. Transmit +
2. Receive +
3. Transmit -
4. Receive -

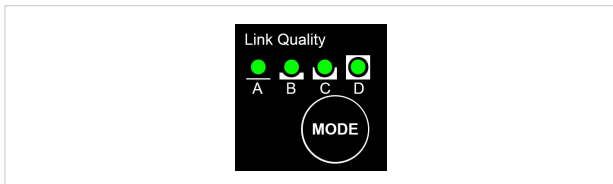
2 LED Indicators

Status LED Indicators



LED Indication		Meaning
PWR	OFF	No power/application not running
	Steady Green	Application is running
)))	OFF	No wireless activity
	Steady Blue	Wireless connection established
	Flashing Blue	Wireless data activity
	Steady Purple	Attempting wireless connection
	Steady Red	Error
LAN	OFF	No Ethernet connection
	Steady Yellow	Ethernet link is present
	Flashing Yellow	Ethernet data activity

Link Quality LED Indicators



Press **MODE** to check wireless signal quality in infrastructure mode.

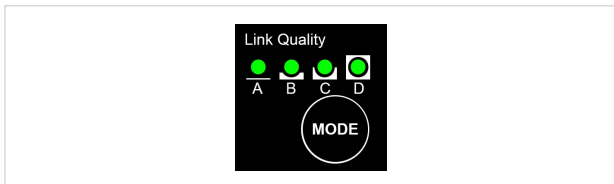
All 4 LEDs lit = excellent signal quality.



Keeping MODE pressed for more than 5 seconds will reboot the unit.

3 Configuration

SMART Configuration Modes



The most common configurations can be set up quickly by using the **MODE** button and the **A-B-C-D** LEDs to select one of the SMART modes.

1. Power on the Wireless Bridge, then immediately press and release **MODE**.
2. Press **MODE** repeatedly to cycle through the configuration modes until the desired mode is indicated.
3. Press and hold **MODE** until the LEDs go out or blink, then release it. The unit will restart in the selected configuration mode.



If the unit is not restarted within 20 seconds of selecting a configuration mode it will exit SMART configuration and return to the previous settings.

Ad-hoc	WLAN devices are connecting directly to each other. Maximum throughput = 11 Mbit/s.
Infrastructure	WLAN devices are connecting via an access point. Maximum throughput = 14 Mbit/s.
Single Client	The Wireless Bridge acts as a wireless interface for the Ethernet device it is connected to, and will clone its MAC address. This means that only one Ethernet device can be connected to each Wireless Bridge.
Multiclient	Same as Single Client mode but allowing multiple devices to communicate on the IP layer.
UDP Tunnel	Ethernet packages are encapsulated in UDP packages and transferred transparently between two units. This mode has significantly lower throughput than the Single Client and Multiclient modes.

SMART Configuration Modes

MODE	WLAN Type	Operation	Description	LED			
				A	B	C	D
1	—	—	Enable DHCP server	●			
2	—	—	Reset to factory defaults		●		
3	—	—	Reset IP settings	●	●		
4	Ad-hoc	UDP Tunnel	Wait for auto configuration			●	
5	Ad-hoc	UDP Tunnel	Initiate auto configuration	●		●	
6	Ad-hoc	UDP Tunnel	Wait for auto configuration (PROFINET priority)		●	●	
7	Ad-hoc	UDP Tunnel	Initiate auto configuration (PROFINET priority)	●	●	●	
8	Infrastructure	UDP Tunnel	Wait for auto configuration				●
9	Infrastructure	UDP Tunnel	Initiate auto configuration	●			●
10	Infrastructure	UDP Tunnel	Initiate auto configuration (wired)		●		●
11	Ad-hoc	Single Client	Wait for MAC address	●	●		●
12	Ad-hoc	Multiclient	Initiate auto configuration			●	●

Enable DHCP Server

Activates a built-in DHCP server, which makes it possible to access the Wireless Bridge without manually configuring the IP address of the connecting computer. The computer must be set up for DHCP and be connected directly to the unit, not through a network.

The DHCP server will stay enabled until the unit is restarted.

PROFINET priority

PROFINET network traffic will be prioritized.

Advanced Configuration

Advanced configuration can be carried out using the settings in the built-in web interface and/or by issuing AT commands. For more information, see the *Anybus Wireless Bridge User Manual* available at www.anybus.com/support.

4 Example 1: Ethernet Bridge



This example describes two Wireless Bridges using UDP tunneling over an ad-hoc network to connect two Ethernet network segments.

1. Reset both Wireless Bridges to the factory default settings using SMART configuration mode 2 (LED B).



2. On the first Wireless Bridge, activate SMART mode 4 (LED C). The LED will blink while the unit is waiting for a connection.



3. On the second Wireless Bridge, activate SMART mode 5 (LED A+C). The LEDs will blink until the units have connected.



4. When the Wireless Bridges have connected successfully the))) LED on both units will show a steady blue light. The first unit will have IP address 192.168.0.98 and the second 192.168.0.99.

5 Example 2: Single Clients



This example describes two Ethernet devices connecting via two Wireless Bridges in Single Client mode over an ad-hoc network.

Single Client mode has higher performance than UDP Tunneling since no encapsulation of the Ethernet packages is required. Only one Ethernet device can be connected to each Wireless Bridge.

1. Reset both Wireless Bridges to the factory default settings using SMART configuration mode 2 (LED B).



2. On the first Wireless Bridge, activate SMART configuration mode 4 (LED C). The LED will blink while the unit is waiting for a connection.



3. On the second Wireless Bridge, activate SMART configuration mode 5 (LED A+C). The LEDs will blink until the units have connected.



4. When the Wireless Bridges have established a connection, activate SMART configuration mode 11 (LED A+B+D) on the first unit.



5. Activate SMART configuration mode 11 on the second Wireless Bridge. The LEDs will blink while the unit enters client mode and retrieves the MAC address of the other unit.



6. The first unit will now have IP address 192.168.0.98 and the second 192.168.0.99. The units will be operating in ad-hoc mode.

For more use cases and advanced configuration examples, see the *Anybus Wireless Bridge User Manual* available at www.anybus.com/support.

6 Technical Data

Technical Specifications

Model	2.4 GHz	5 GHz	Dual-band
Order code	021440-B	021450-B	024120-B
Dimensions (LxWxH)	91 x 66 x 36.2 mm		
Weight	120 g		130 g
Operating temperature	-30 to +65 °C		
Storage temperature	-40 to +85 °C		
Humidity	RH 5–90 % non-condensing		
Input voltage	9–30 V DC (SELV)		
Power consumption	1.8 W (typical)		
Enclosure material	Plastic		
Mechanical rating	IP65		
Mounting	Screw holes for wall mounting		
Power connector	M12 male A-coded		
Ethernet connector	M12 female D-coded		
Antenna	Internal		External
Receiver sensitivity	-94 dBm max.	-87 dBm max.	-94/-87 dBm max.
Maximum range	400 m	200 m	400/200 m
Ethernet interface	10/100BASE-T with automatic MDI/MDIX cross-over		
Ethernet protocols	IP, TCP, UDP, LLDP, HTTP, ARP, DHCP, DNS, SNMP		
Default IP address	192.168.0.98		
WLAN interface	802.11b/g/n	802.11n	802.11b/g/n
WLAN security	WEP 64, WEP 128, WPA-PSK, WPA2-PSK, TKIP, CCMP (AES), LEAP, PEAP		
Certifications	CE, cUL _{us} , Haz.Loc. Class 1 Div. 2, ETSI, R&TTE, FCC/CFR 47 part 15, IC/RSS, MIC (2.4 GHz)		

Typical current consumption at 24 VDC	Mean (mA)	Max (mA)
Startup	—	58.8
Idle	58.7	58.8
Idle, Ethernet	69.0	69.1
Idle + 4 x Mode LEDs	74.2	74.3
Connecting	63.2	63.9
Connected, Data	63.2	64.8
Connected, Data, Ethernet	73.4	75.5
Connected, Data, Ethernet, 4 x Mode LEDs	78.6	80.7

This page intentionally left blank

