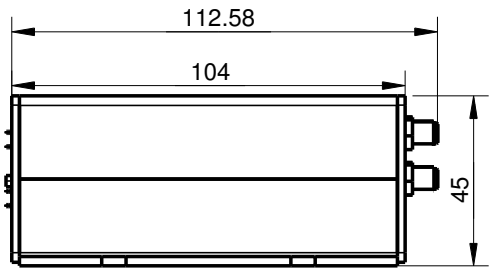
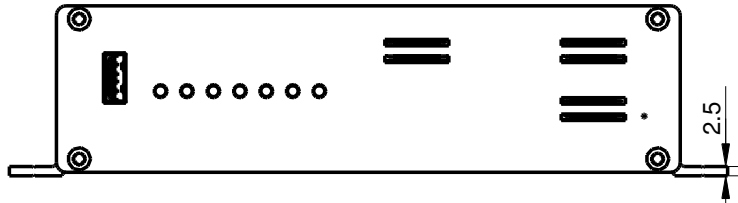


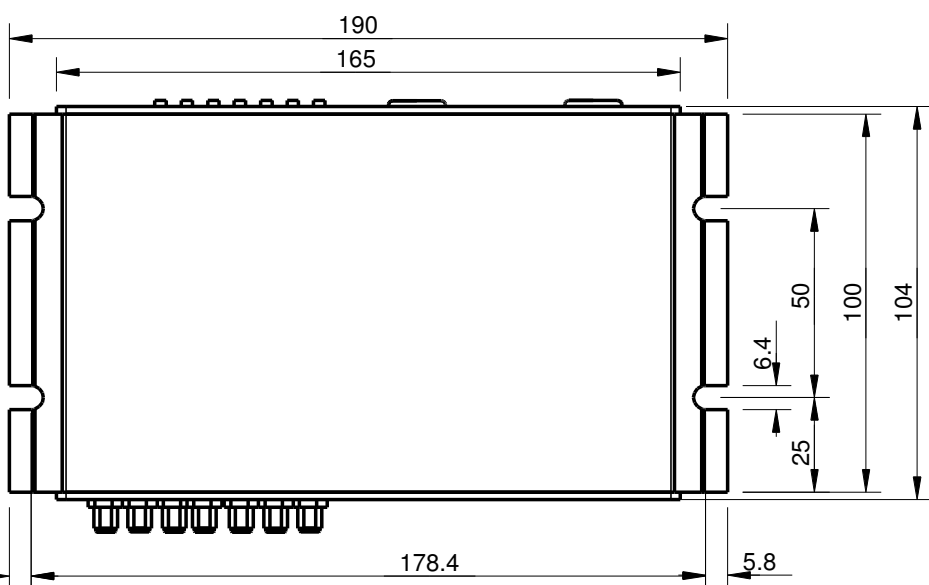
1	2	3	4
RevNo	Revision note	Date	Signature
			Checked

A



A

B



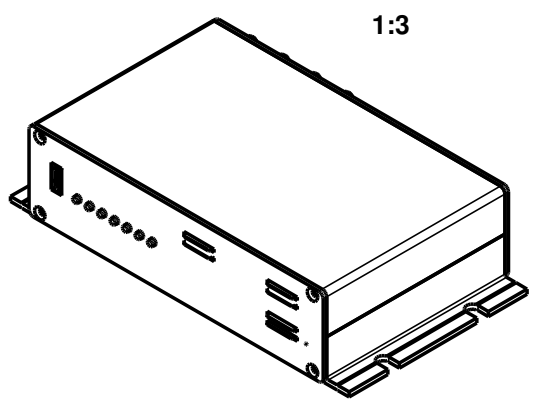
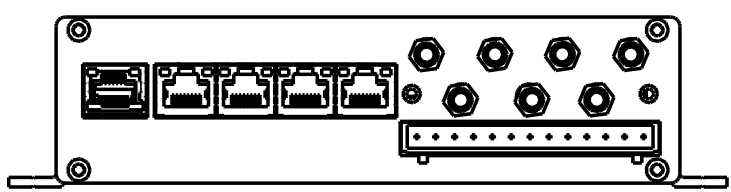
B

C

C

D

D



Casing material  
Aluminium eloxed

F

F

Itemref	Quantity	Title/Name, designation, material, dimension etc			Article No./Reference	
Drawn by NetModule AG		Checked by	Approved by - date	File name	Date 18.11.2014	Scale 1:2
				<b>NB2710</b>		
				Drawing No.	Format A4	Edition Edition
				Sheet 1/1		