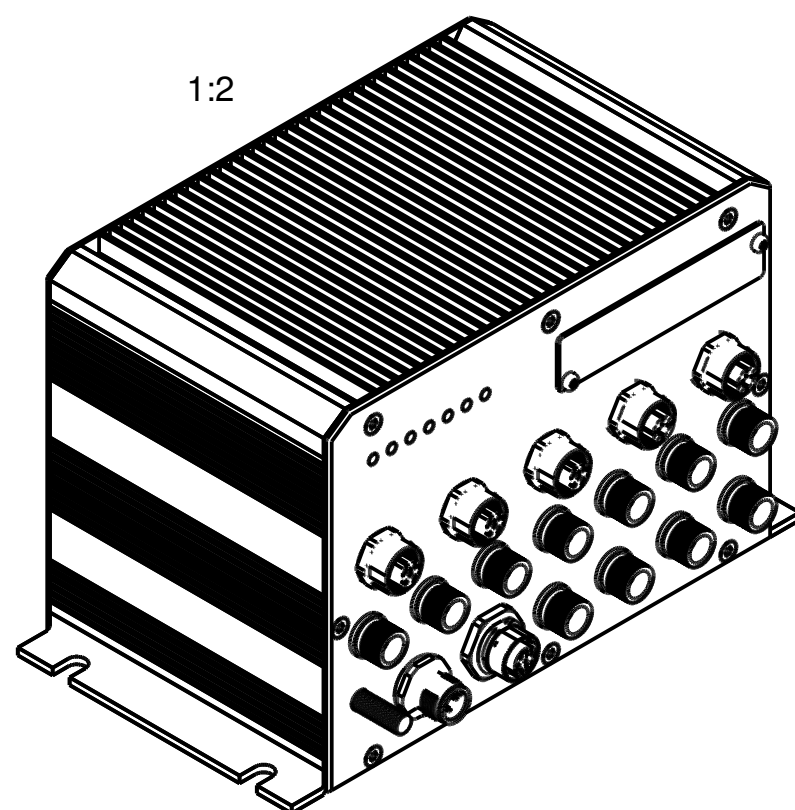
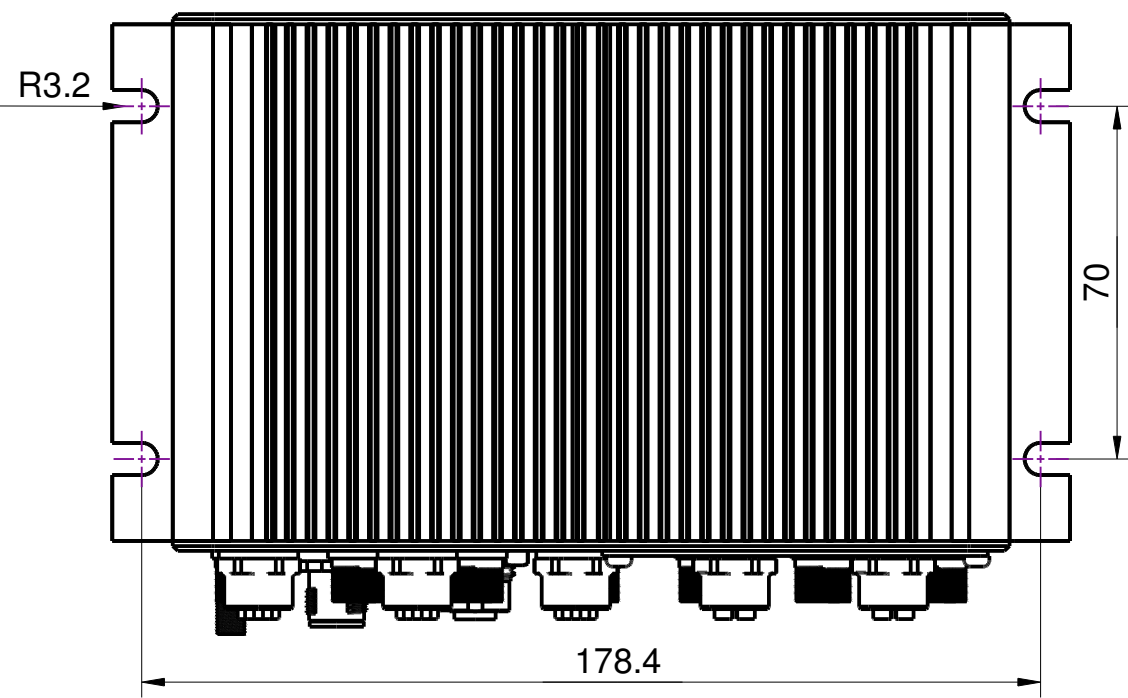
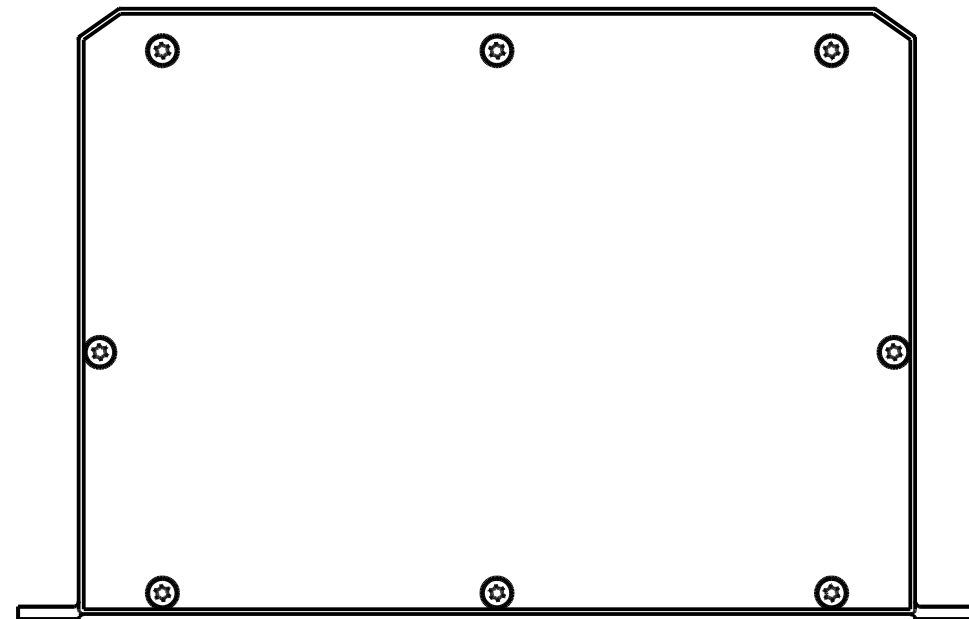
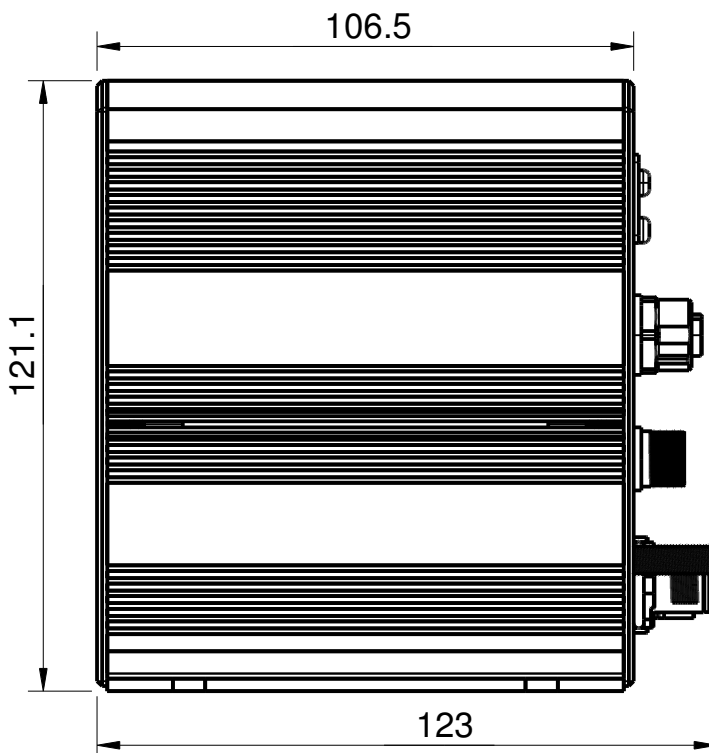
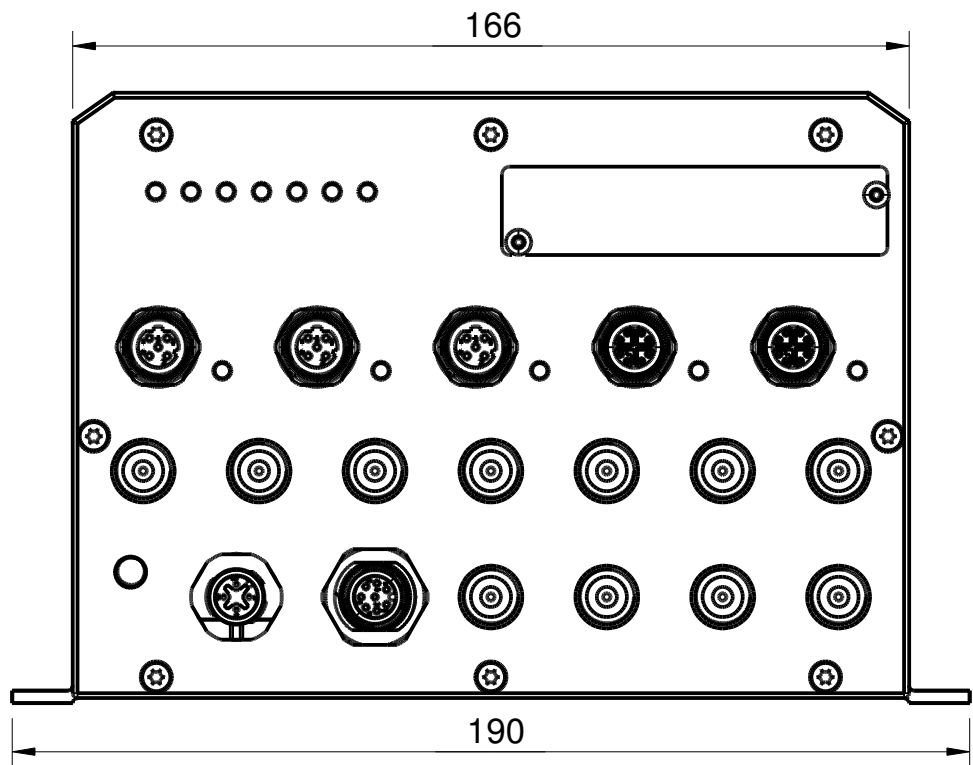


1 2 3 4 5 6 7 8

RevNo	Revision note	Date	Signature	Checked
-------	---------------	------	-----------	---------

A  
B  
C  
D  
E  
F

A  
B  
C  
D  
E  
F



Itemref	Quantity	Title/Name, designation, material, dimension etc			Article No./Reference
Drawn by rr	Checked by	Approved by - date	File name	Date 2016-08-22	Scale 1:1.5
			<b>NB3800-IP40</b>		
Drawing No. NB3800_V1_0			Format	Edition V1_0	Sheet 1/1

1 2 3 4 5 6 7 8