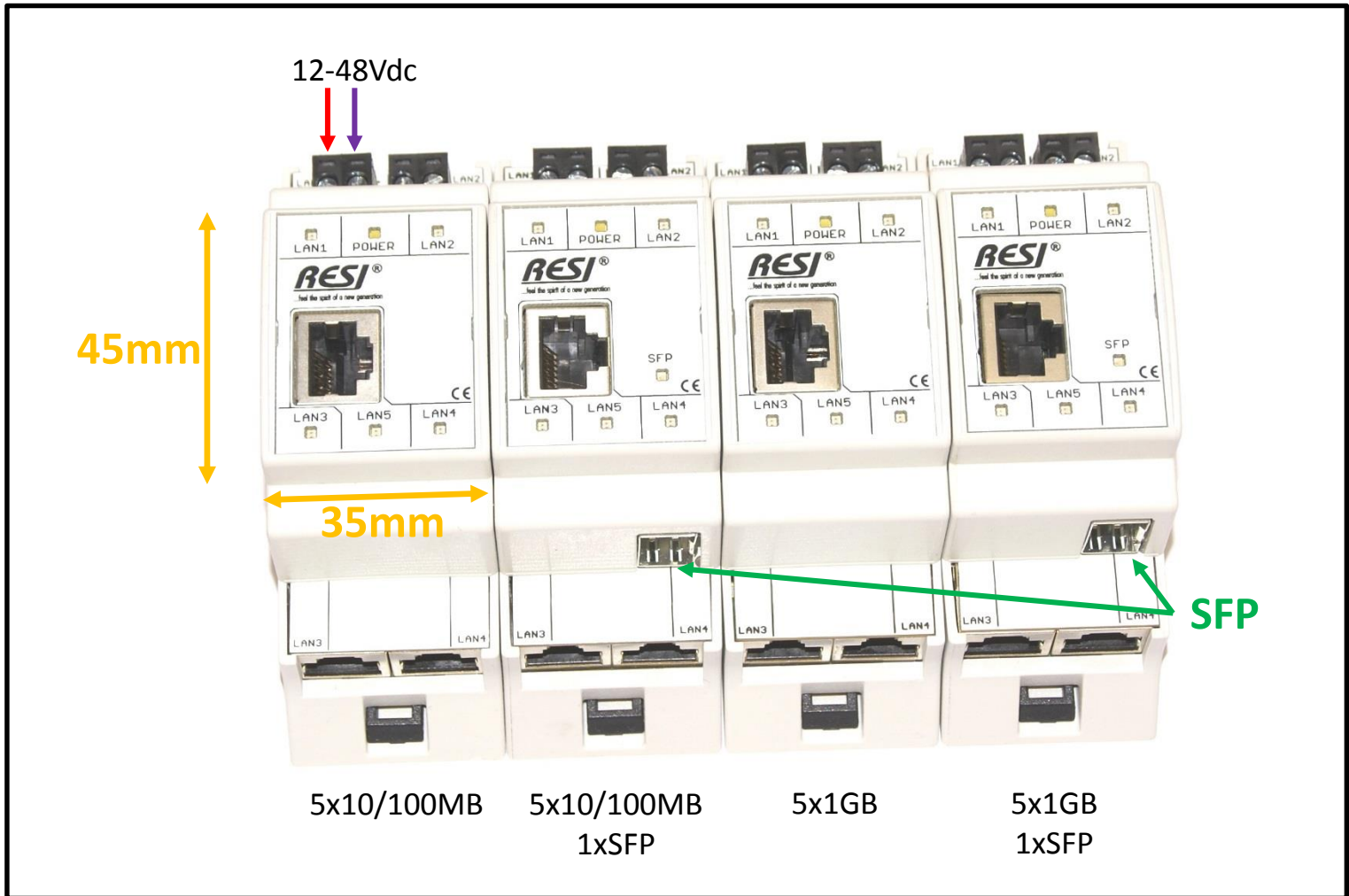


RESI.SWITCHES

Overview about our network products



HIGHLIGHTS:

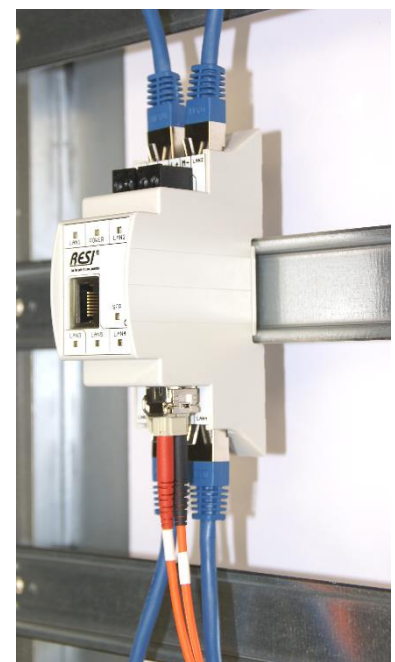
- NEW** Extreme small and slim unmanaged switches: Only 35x110x60mm in size!
- NEW** 5 port switches as 10MB/100MB or as 10/100MB/1GB version
- NEW** Version with SFP connector for direct connection of optical fiber with 1GB speed
- NEW** Ideal for standard switchboard or distribution cabinets with 45mm cut-out
- NEW** Wide range power supply: 12-48Vdc with two plugs
- NEW** Mounting onto an EN 50022 DIN rail or directly onto a wall

FIELDS OF APPLICATION:

- NEW** Networking of DDCs, PLCs, minicomputer or touch panels in a building
- NEW** With 48Vdc power supply ideal for telekom applications
- NEW** With direct connection of an optical fiber to the switch, the conventional conversion from optical fiber into copper with patch panels or network cabinets is obsolete
- NEW** Ideal for networks in long shafts or widespread areas
- NEW** Very good for high level home automation

MARKETS:

- NEW** Building Automation
- NEW** Telekom
- NEW** Smart Home
- NEW** Smart Metering



RESI Informatik & Automation GmbH
Altenmarkt 29, A-78551 Wies, AUSTRIA
www.RESI.cc, help@RESI.cc
Phone: +43-316-262062-0
Fax: +43-316-262062-66

RESI.SWITCHES

Overview about our network products



RESI-SW-5M:

- NEW** Extreme small unmanaged switch: Its only 35x110x60mm big!
- NEW** 5 ports with 10MB/100MB Ethernet interface with copper
- NEW** Wide range power supply: 12-48Vdc

RESI-SW-5M-1SF:

- NEW** Like RESI-SW-5M, but in addition one SFP plug for a SFP module with 1GB speed
- NEW** SFP modules for direct fiber optic cable connection or copper connection available

RESI-SW-5G:

- NEW** Extreme small unmanaged switch: Its only 35x110x60mm big!
- NEW** 5 ports with 10MB/100MB and 1GB Ethernet interface with copper
- NEW** Wide range power supply: 12-48Vdc

RESI-SW-5G-1SF:

- NEW** Like RESI-SW-5G, but in addition one SFP plug for a SFP module with 1GB speed
- NEW** SFP modules for direct fiber optic cable connection or copper connection available

