

RESI-1RO-MODBUS, RESI-1RO-ASCII

Our ultra slim IO module with one relay output (changeover contacts) for 250Vac, 30Vdc, 8A



Our series of ultra-slim IO modules (only 17.5mm width!) is designed for remote applications, to collect or control only a few IO signals. All our modules communicate with a RS232 or RS485 interface via MODBUS/RTU slave protocol. Our RESI-xx-ASCII series offers additionally a text oriented ASCII protocol.

Those modules are suitable for building automation tasks like controlling decentral devices like pumps, dampers, valves, contactors for light, ready or fault signals



RESI-1RO-MODBUS

MODBUS/RTU module to control 1 relay output with changeover contacts for 250Vac or 30Vdc with max. 8A via serial bus, Host communication: via RS232 or RS485 with MODBUS/RTU slave protocol, Host baud rates: 9600, 19200, 38400 or 57600Bd, no, even or odd parity, 8 data bits, 1 stop bit, the relay output has changeover contacts and is galvanically insulated, relay output: contact material: Au-flashed AgNi, resistive load: with 250Vac, max. 8A, with 30Vdc, max. 8A, max. switching power: with 250Vac 2000VA, with 30Vdc 240W, max. switching voltage: 250Vac or 125Vdc with 0.2A, Configuration and testing of module with free PC software MODBUS configurator, Weight: 60g, Dimension (LxWxH): 17,5x90x58mm, Power supply: 12-48V=, Power consumption: <0.8W, Mountable onto a EN50022 DIN rail.

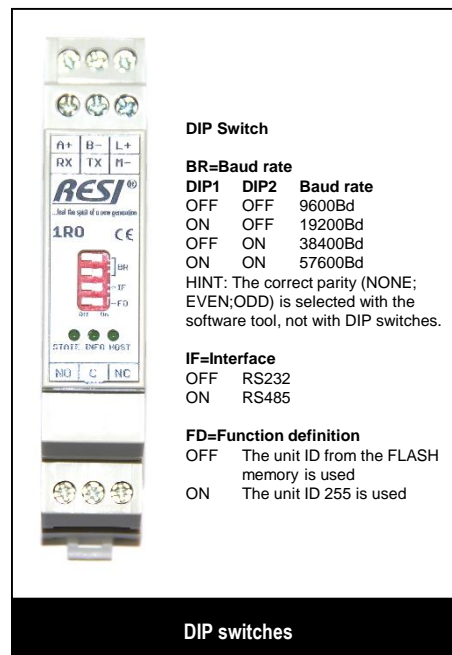
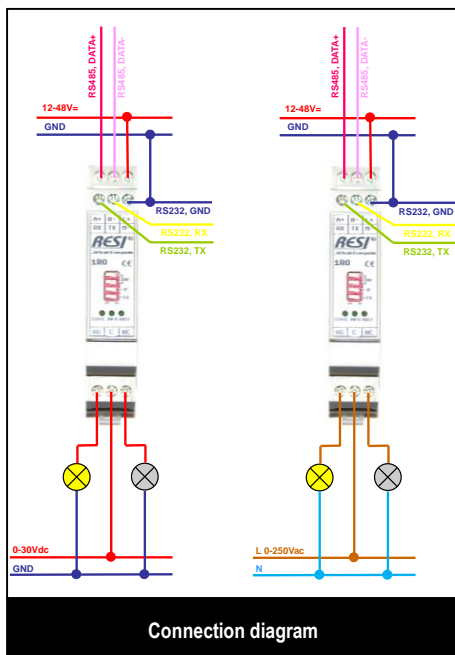
RESI-1RO-ASCII

MODBUS/RTU or ASCII module to control 1 relay output with changeover contacts for 250Vac or 30Vdc with max. 8A via serial bus, Host communication: via RS232 or RS485 with simple ASCII strings or MODBUS/RTU slave protocol, Host baud rates: 9600, 19200, 38400 or 57600Bd, no, even or odd parity, 8 data bits, 1 stop bit, the relay output has changeover contacts and is galvanically insulated, relay output: contact material: Au-flashed AgNi, resistive load: with 250Vac, max. 8A, with 30Vdc, max. 8A, max. switching power: with 250Vac 2000VA, with 30Vdc 240W, max. switching voltage: 250Vac or 125Vdc with 0.2A, Configuration and testing of module with free PC software MODBUS configurator, Weight: 60g, Dimension (LxWxH): 17,5x90x58mm, Power supply: 12-48V=, Power consumption: <0.8W, Mountable onto a EN50022 DIN rail.

RESI-MODBUS-CONFIGURATOR

Consisting of a free of charge software to configure our IO modules. Download from our homepage www.RESI.cc.

Register	Value	Comment
4x00001	0x?????	Current status of digital output
4x00002	0x?????	Current negated status of digital output
4x00003	0x?????	Current status of true relay output
4x00004	0x?????	Current negated status of true relay output
4x00005	0x?????	Remaining time of offdelay timer in milliseconds
0x00001	0x?????	Current status of digital output
0x00002	0x?????	Current negated status of digital output
0x00003	0x?????	Current status of true relay output
0x00004	0x?????	Current negated status of true relay output
0x00005	0x?????	Is offdelay timer running



- ### AT A GLANCE
- Ultra-slim module size: Only 17.5mm width
 - Host communication: via RS232 or RS485 with MODBUS/RTU or ASCII serial protocol
 - Host baud rates: 9600, 19200, 38400 or 57600Bd, no, even or odd parity, 8 data bits, 1 stop bit
 - 1 relay output with changeover contacts
 - Resistive load: 250Vac, 30Vdc, 8A
 - Max. switching power: 2000VA, 240W
 - Power supply: 12-48V=
 - Power consumption: <0.8W
 - Size (LxWxH): 17.5x90x58mm
 - Mountable onto a EN50022 DIN rail