

Our bus terminators offer a simple solution to terminate a RS485 bus line correctly. We offer two different types: one for mounting onto a DIN rail within a switchboard cabinet and one in a slim BOX design. The RESI-RS485BA module offers two bus terminators within one case and the function of each bus termination is selectable via DIP switch: 120Ohm resistor and/or 1µF capacitor. The bus terminator in the box housing (RESI-RS485BA-BOX) is a fixed passive 120Ohm resistor.



RESI-RS485BA

RESI-RS485BA

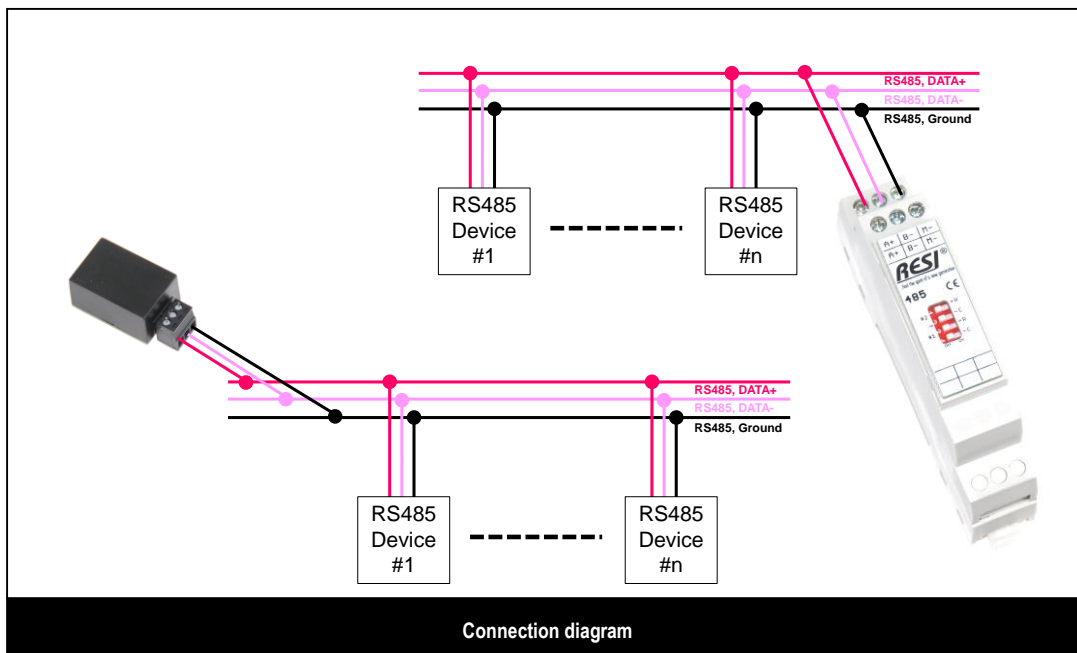
Passive RS485 bus terminator with 2 bus termination units for 2 individual RS485 bus lines, for each termination unit: DIP switch selector for bus termination function: 120Ohm resistor and 1µF capacitor can be switched on and off, 3 pin terminal for RS485 wiring: A+, B-, M- signals, dimension (LxWxD): 17,5x58x90mm, mountable onto a EN50022 DIN rail, weight: 40g

RESI-RS485BA-BOX

Passive RS485 bus terminator for RS485 bus line with build in 120Ohm resistor, 3 pin removable terminal in black for RS485 wiring: A+, B-, M- signals, dimension (LxWxD): 30x20x15mm without terminal block, 40x20x15mm with terminal block, weight: 8g



RESI-RS485BA-BOX



AT A GLANCE

- RS485 bus terminators
- RESI-RS485BA: 2 bus terminators within one module
- RESI-RS485BA: Function of bus termination via DIP switch selectable: 120Ohm resistor and/or 1µF capacitor
- RESI-RS485BA-BOX: 1 bus termination in a box with passive 120Ohm resistor
- RESI-RS485BA: Mountable onto a EN50022 DIN rail
- RESI-RS485BA-BOX: Box housing