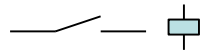


RESI-16DI8RO-MODBUS, RESI-16DI8RO-ASCII

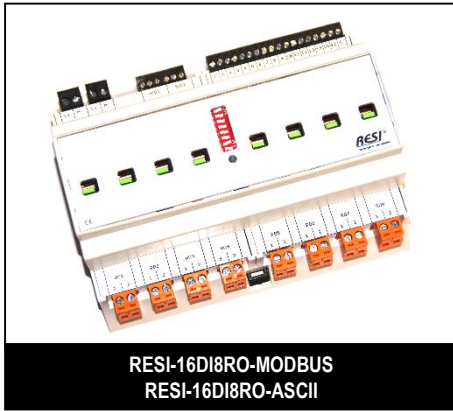
Our IO modules for switching capacitive loads with 8 outputs and 16 inputs

Modbus-IDA
the architecture for distributed automation

ASCII



Our 16DI8RO modules communicate with a RS485 interface via MODBUS/RTU slave protocol. Our RESI-xx-ASCII series offers additionally a text oriented ASCII protocol. The modules offer 8 bistable relays for switching capacitive loads up to 250Vac, 16A, 200µF and 16 digital inputs for 12-48Vdc signals. A special feature is the build-in logic between the digital inputs and relay outputs. You can easily create central switching functions, off delay switching or stairway light functions. So you can also use the module as a stand-alone module. You will find suitable applications everywhere, if you want to switch high capacitive loads like special lamps, socket-outlets or other actuators like pumps, machines, an so on. The markets are building automation in shops, bars, home automation, office building but also industrial applications.



RESI-16DI8RO-MODBUS

MODBUS/RTU module to control socket-outlets, light applications and capacitive loads, with 8 bistable relays (max 250Vac, max. 16A, max. 200µF) and with 16 digital inputs for 12-48Vdc signals via serial bus, switchable loads: Incandescent lamp 4.800W, Fluorescent lamp not compensated 5.000W, Fluorescent lamp parallel compensated 2.500W/200µF, Fluorescent lamp duo-combination 2x5.000W, Halogen lamp (230VAC) 5.000W, Low voltage halogen lamp with transformer 2.000VA, Mercury arc sodium discharge lamp not compensated 5.000W, Mercury arc sodium discharge lamp parallel compensated 5.000W/200µF, Dulux lamp not compensated 4.000W, Dulux lamp parallel compensated 3.000W/200µF, Host communication: via RS485 with MODBUS/RTU slave protocol, Host baud rates: 4800, 9600, 19200, 38400, 57600, 115200, 230400 or 256000, no or even parity, 8 data bits, 1 stop bit, configuration and testing of module with free PC software MODBUS configurator, Weight: 560g, Dimension (LxWxH): 143x110x62mm, Power supply: 12-48V=, Power consumption: <0.5W, Mountable onto a EN50022 DIN rail or wall mounting.

RESI-16DI8RO-ASCII

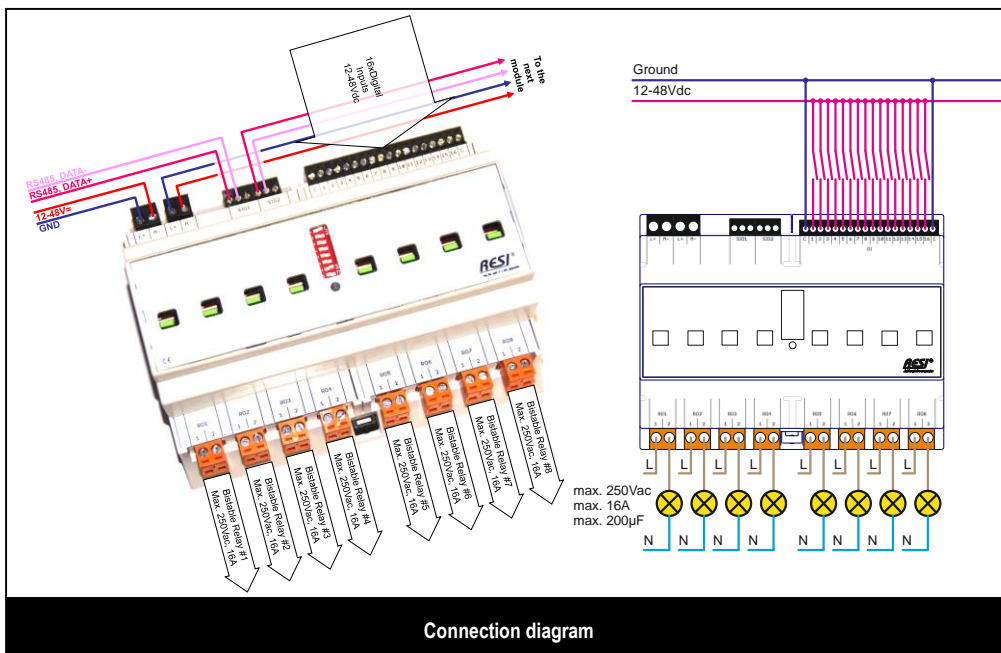
MODBUS/RTU or ASCII module to control socket-outlets, light applications and capacitive loads, with 8 bistable relays (max 250Vac, max. 16A, max. 200µF) and with 16 digital inputs for 12-48Vdc signals via serial bus, switchable loads: Incandescent lamp 4.800W, Fluorescent lamp not compensated 5.000W, Fluorescent lamp parallel compensated 2.500W/200µF, Fluorescent lamp duo-combination 2x5.000W, Halogen lamp (230VAC) 5.000W, Low voltage halogen lamp with transformer 2.000VA, Mercury arc sodium discharge lamp not compensated 5.000W, Mercury arc sodium discharge lamp parallel compensated 5.000W/200µF, Dulux lamp not compensated 4.000W, Dulux lamp parallel compensated 3.000W/200µF, Host communication: via RS485 with MODBUS/RTU slave protocol, Host baud rates: 4800, 9600, 19200, 38400, 57600, 115200, 230400 or 256000, no or even parity, 8 data bits, 1 stop bit, configuration and testing of module with free PC software MODBUS configurator, Weight: 560g, Dimension (LxWxH): 143x110x62mm, Power supply: 12-48V=, Power consumption: <0.5W, Mountable onto a EN50022 DIN rail or wall mounting.

Output power per channel:

Incandescent lamp	4,800 W
Fluorescent lamp, not compensated	5,000 W
Fluorescent lamp, parallel compensated	2,500 W / 200 µF
Fluorescent lamp, duo-combination	2 x 5,000 W
Halogen lamp (230 VAC)	5,000 W
Low voltage halogen lamp with transformer	2,000 VA
Mercury arc sodium discharge lamp not compensated	5,000 W
Mercury arc sodium discharge lamp parallel compensated	5,000 W / 200 µF
Dulux lamp, not compensated	4,000 W
Dulux lamp, parallel compensated	3,000 W / 200 µF

RESI-MODBUS-CONFIGURATOR

Consisting of a free of charge software to configure our IO modules. Download from our homepage www.RESI.cc.



Connection diagram

AT A GLANCE

- ❑ Host communication: via RS485 with MODBUS/RTU or ASCII protocol
- ❑ Host baud rates: 4800, 9600, 19200, 38400, 57600, 115200, 230400 or 256000Bd, no or even parity, 8 data bits, 1 stop bit
- ❑ 16 digital inputs 12-48Vdc for pushbuttons, PLCs transistor outputs, etc.
- ❑ 8 bistable relays for socket-outlets, light applications and capacitive loads, max. 250Vac, max. 16A, max. 200µF
- ❑ Ideal for switching lamps
- ❑ Power supply: 12-48V=
- ❑ Power consumption: <0.5W
- ❑ Size (LxWxH): 143x110x62mm
- ❑ Mountable onto a EN50022 DIN rail or wall mounting