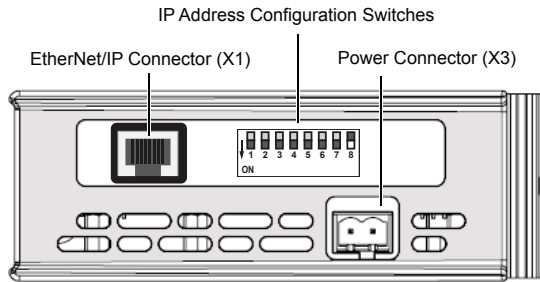


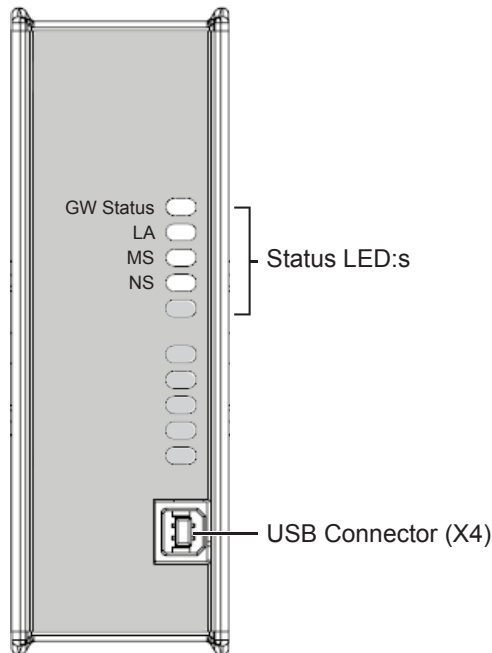
## Product Overview

The EtherNet/IP Scanner interface can only be mounted in the top slot of the Anybus X-gateway.

## Top view



## Front view



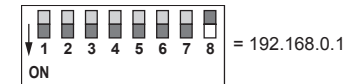
## LED Indicators

LED	Indication	Meaning
GW Status		See Gateway Installation Sheet
LA	Green	Link established
	Green (flashing)	Receiving/transmitting data
	Off	Link not detected
MS	Green	Normal operation
	Green (flashing)	Standby, not yet configured
	Red	Major fault, unrecoverable
	Red (flashing)	Minor fault, recoverable
	Red/green (alternating)	Hardware self test
	Off	No power
NS	Green	EtherNet/IP connection(s) OK
	Green (flashing)	No EtherNet/IP connections
	Red	Duplicate IP address
	Red (flashing)	Connection timeout
	Red/green (alternating)	Hardware self test
	Off	No power or no IP address set

## IP Address Configuration Switches

Sets the binary value of the last byte of the IP address within subnet 192.168.0.1–254 (netmask 255.255.255.0). To use a different subnet, set all switches to OFF and configure via the Anybus IPconfig tool.

Switch position								IP address (example)
1	2	3	4	5	6	7	8	
OFF	OFF	OFF	OFF	OFF	OFF	OFF	OFF	Set by software
OFF	OFF	OFF	OFF	OFF	OFF	OFF	ON	192.168.0.1
OFF	OFF	OFF	OFF	OFF	ON	OFF	OFF	192.168.0.2
ON	ON	ON	ON	ON	ON	ON	OFF	192.168.0.254
ON	ON	ON	ON	ON	ON	ON	ON	(Not valid)



## Accessories Checklist

The following items are required for installation:

- EtherNet/IP configuration tool (optional, not included)
- USB cable (included)
- EDS file for EtherNet/IP (see [www.anybus.com](http://www.anybus.com))
- LAN cable (not included)

## Installation and Startup Summary

(Depending on your setup, some steps may not be required.)

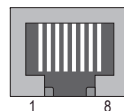
1. Connect the gateway to the EtherNet/IP network
2. Set a valid IP address for the EtherNet/IP interface (contact your network administrator for information)
3. Connect a PC to the gateway via USB
4. Power up and configure the gateway
5. Install the EDS file in the EtherNet/IP configuration tool

## Technical Support

Technical support, documentation and software downloads are available at [www.anybus.com](http://www.anybus.com).

Technical questions regarding the EtherNet/IP fieldbus system should be addressed to **ODVA** at [www.odva.org](http://www.odva.org).

## EtherNet/IP (RJ45) Connector



Pin	Signal
1	TD+
2	TD-
3	RD+
4, 5, 7, 8	Termination to PE
6	RD-