

# RESI-4LED-MODBUS, RESI-4LED-ASCII

Our IO modules with twelve dimmable channels for RGB, dual white or monochrome LED stripes

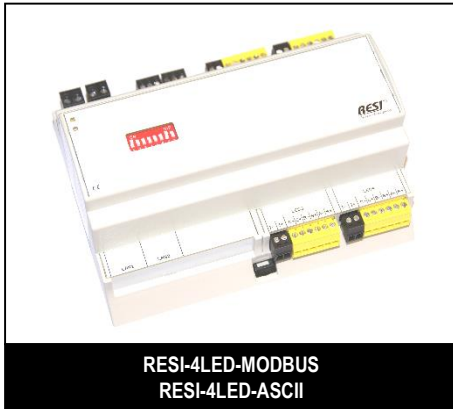
Modbus-IDA  
the architecture for distributed automation

ASCII

12x



Our 4LED modules communicate via RS485 interface with MODBUS/RTU slave protocol or a text based ASCII protocol (RESI-xxx-ASCII). The modules offer 4 independent LED groups with three individual dimmable LED channel each, to control and fade commonly used LED stripes. This can be RGB-LED stripes, dual white LED stripes or mono color LED stripes with common anode. The module offers twelve PWM dimmable channels (400Hz), organized in four LED groups with external power supply 0..48Vdc, max. 360W@24Vdc for each LED group. The product is suitable for applications in ships, hotel rooms, shops, bars, private living, meeting rooms, public areas, fountains, ... Everywhere, where you want to add some LED light effects to your installation!



## RESI-4LED-MODBUS

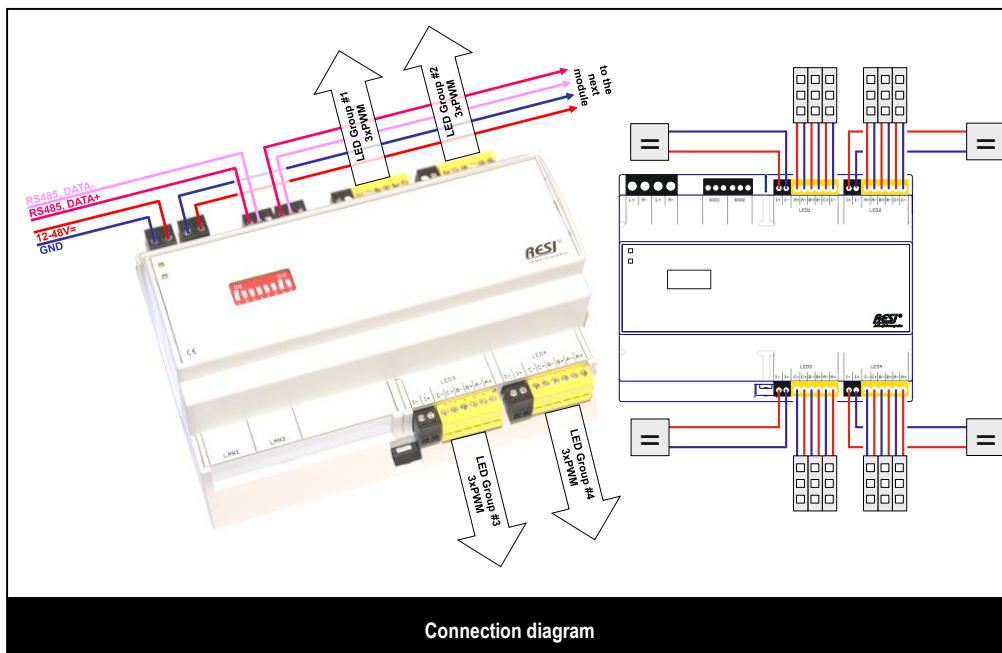
MODBUS/RTU module to control LED stripes with twelve individual dimmable channels, organized in four LED groups with three channels each, via serial bus, suitable for RGB, dual white or mono color LED stripes with common anode, separated power supply for each of the four LED groups 0..48Vdc, max. 360W@24Vdc, 180W@12Vdc, 720W@48Vdc, max. 15A input current per LED group, max. output current per channel 5A, 12 PowerMOS FET PWM outputs with 400Hz PWM frequency for dimming of the LED stripes, Host communication: via RS485 with MODBUS/RTU slave protocol, Host baud rates: 4800, 9600, 19200, 38400, 57600, 115200, 230400 or 256000, no or even parity, 8 data bits, 1 stop bit, the twelve LED outputs are galvanically insulated from the serial interface, configuration and testing of module with free PC software MODBUS configurator, Weight: 260g, Dimension (LxWxH): 143x110x62mm, Power supply: 12-48V=, Power consumption: <0.8W, Mountable onto a EN50022 DIN rail or wall mounting.

## RESI-4LED-ASCII

MODBUS/RTU or ASCII module to control LED stripes with twelve individual dimmable channels, organized in four LED groups with three channels each, via serial bus, suitable for RGB, dual white or mono color LED stripes with common anode, separated power supply for each of the four LED groups 0..48Vdc, max. 360W@24Vdc, 180W@12Vdc, 720W@48Vdc, max. 15A input current per LED group, max. output current per channel 5A, 12 PowerMOS FET PWM outputs with 400Hz PWM frequency for dimming of the LED stripes, Host communication: via RS485 with MODBUS/RTU slave protocol, Host baud rates: 4800, 9600, 19200, 38400, 57600, 115200, 230400 or 256000, no or even parity, 8 data bits, 1 stop bit, the twelve LED outputs are galvanically insulated from the serial interface, configuration and testing of module with free PC software MODBUS configurator, Weight: 260g, Dimension (LxWxH): 143x110x62mm, Power supply: 12-48V=, Power consumption: <0.8W, Mountable onto a EN50022 DIN rail or wall mounting.

## RESI-MODBUS-CONFIGURATOR

Consisting of a free of charge software to configure our IO modules. Download from our homepage [www.RESI.cc](http://www.RESI.cc).



Connection diagram

## AT A GLANCE

- ❑ Host communication: via RS485 with MODBUS/RTU or ASCII protocol
- ❑ Host baud rates: 4800, 9600, 19200, 38400, 57600, 115200, 230400 or 256000Bd, no or even parity, 8 data bits, 1 stop bit
- ❑ Ideal for LED stripes; RGB, dual white or mono color with common anode
- ❑ 12 channel dimmable PWM outputs for LED stripes organized in 4 LED groups with 3 outputs each: 0..48Vdc, max 5A per channel, 400Hz PWM
- ❑ Separated power supply for each LED group: max. 360W@24Vdc, 180W@12Vdc, 720W@48Vdc
- ❑ Power supply: 12-48V=
- ❑ Power consumption: <0.8W
- ❑ Size (LxWxH): 143x110x62mm
- ❑ Mountable onto a EN50022 DIN rail or wall mounting