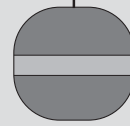


Trunk Cable, Tray-Rated

- Class I user (600V)

Bulk Tray-Rated, 600V-rate DeviceNet trunk cable is designed for use in Class I cabling installations. In such installations this cable can be routed adjacent to other 600 V or Class I rated cables in order to eliminate the use of conduit by "laying" this cable in a cable tray. Temporary field installations can be completed to the trunk by attaching Mini-Change® field attachable connector.

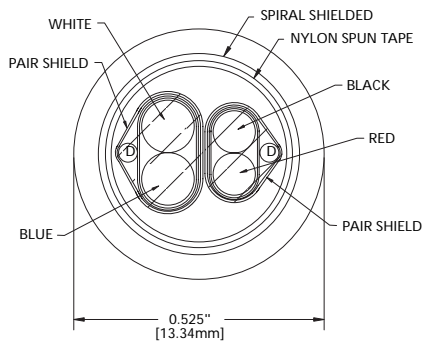


- Designated for tray-rating usage per NEC guidelines or where 600V cable requirements need to be met
- Meets or exceeds ODVA for highest system reliability



Specifications

CROSS-SECTIONAL VIEW



PART NUMBER	DESCRIPTION
DNE00A-M500	THICK CABLE, CLASS 1/TRAY-RATED, 16/18, 50 METERS
DNE00A-T100	THICK CABLE, CLASS 1/TRAY-RATED, 16/18, 100 METERS

- OVERALL**
 RATING: 600V UL TYPE TC
 MATERIALS: PVC OUTER JACKET, PP INNER INSULATION (POWER), PVC WITH NYLON SKIN (DATA)
 CONSTRUCTION: TWO SHIELDED PAIRS, WITH (1) #18 AWG (19X30AWG) COPPER DRAIN WIRE
- POWER PAIR**
 WIRE: 2 #16 AWG (19X29 AWG) INDIVIDUALLY TINNED COPPER
 SHIELDING: ALUMINUM OUTSIDE WITH POLYESTER TAPE OVERLAP
 DC RESISTANCE: 4.9 OHMS/1000FT MAX @ 20°C
 MAX AMPERAGE: 8A
 COLOR CODE: RED/BLACK
- DATA PAIR**
 WIRE: 2 #18 AWG (19 X30 AWG) INDIVIDUALLY TINNED COPPER
 SHIELDING: ALUMINUM OUTSIDE/POLYESTER TAPE 25% OVERLAP
 DC RESISTANCE: 6.9 OHMS/1000FT MAX @ 20°C
 CAPACITANCE: 14.7 pF/ft
 COLOR CODE: WHITE/BLUE
 VELOCITY OF PROPOGATION: 64% NOM
 CABLE JACKET COLOR: GRAY
- APPROVALS**
 UL: TYPE TC-ER
 CSA: I/II A/B