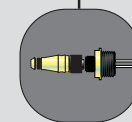


# Receptacles

- Male and female Mini-Change® receptacles
- Bulkhead feed-thru



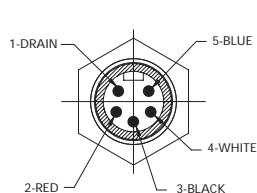
A variety of receptacles allows for the trunk line to come into an enclosure and make connection to inside of the panel components. Male or female receptacles are mounted to the enclosure and the back end trunk cabling can be wired to the open terminal strip of a motor controller, the master scanner or a power supply for the network. The length of the cabling can be varied. The bulkhead version allows a quick-disconnect to exist both on the exterior and interior of the panel or wall.



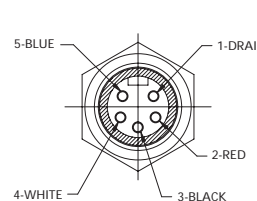
- Receptacles offered with a variety of cable and length options for maximum flexibility
- Bulkhead version features rugged keyways for positive alignment of connections

## Receptacles

FACE VIEWS



MALE



FEMALE

MALE	FIG	RECEPTACLES WITH DEVICENET THICK CABLE
STRAIGHT W/ 1/2"-14NPT	1	DN5100-Mxxx
FEMALE	FIG	RECEPTACLES WITH DEVICENET THICK CABLE
STRAIGHT W/ 1/2"-14NPT	2	DN5000-Mxxx
MALE/FEMALE	FIG	BULKHEAD FEED-THRU
STRAIGHT W/ 1/2"-14NPT	3	1R5030
MALE	FIG	RECEPTACLES PCB MOUNT
STRAIGHT W/ 1/2"-14NPT	4	67-0065
FEMALE	FIG	RECEPTACLES PCB MOUNT
STRAIGHT W/ 1/2"-14NPT	5	67-0075

### CATALOG OPTIONS

Use the following chart to modify your part's specifications

DN  -M

**CABLE OPTIONS**

DEVICENET THIN. . . . .ADD **D**  
MID CABLE . . . . .ADD **B**

**COUPLING NUT**

EPOXY COATED ZINC . . . . .ADD **A**  
STAINLESS STEEL . . . . .ADD **SS**  
NICKEL-BRASS . . . . .ADD **NB**

**STANDARD LENGTH\***

0.5 METER . . . . .**.005**  
2 METER . . . . .**.020**

\* Please call for availability of non-standard lengths

### RECEPTACLE DIMENSIONS

#### Male Straight w/ 1/2" -14NPT Mounting Threads

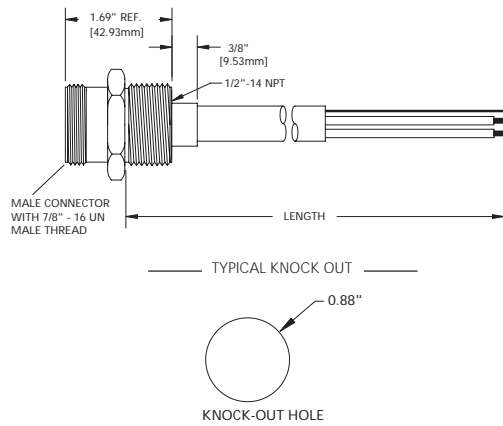


FIG 1

#### Female Straight w/ 1/2" -14NPT Mounting Threads

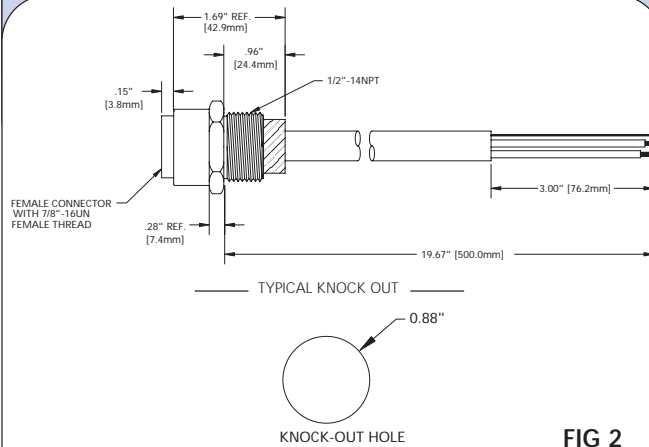


FIG 2

#### Bulkhead Feed Thru

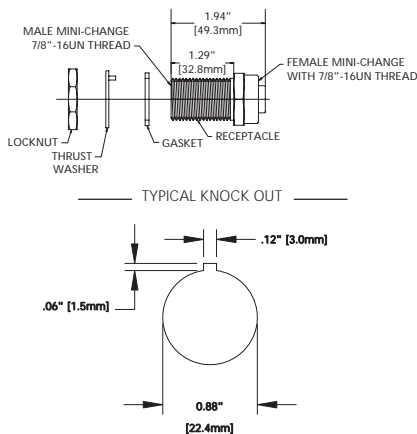


FIG 3

### RECEPTACLE DIMENSIONS

#### Male PCB Mount

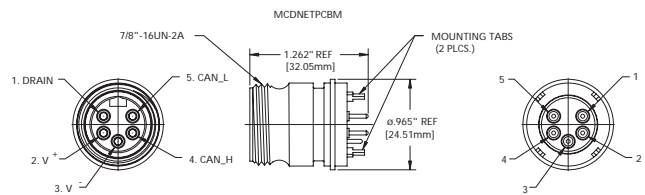


FIG 4

#### Female PCB Mount

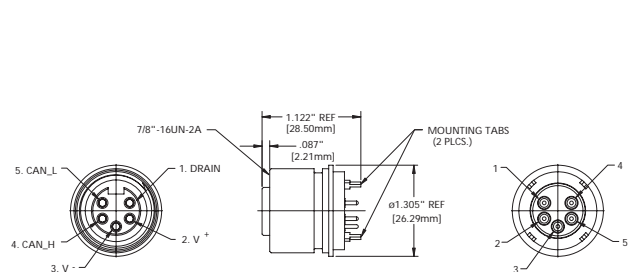


FIG 5

**MECHANICAL**  
 SHELL (RECEPTACLE):  
 SHELL (BULKHEAD):  
 GASKET MATERIAL (BULKHEAD):  
 THRUST WASHER (BULKHEAD):  
 LOCKNUT MATERIAL (BULKHEAD):  
 INSERT:  
 CABLE:

GRAY ANODIZED ALUMINUM  
 NICKEL-BRASS  
 NEOPRENE  
 NYLON  
 BRASS ALLOY  
 PVC - UL STD 94V  
 THICK - SEE PAGE 18 FOR SPECIFICATIONS  
 MID - SEE PAGE 21 FOR SPECIFICATIONS  
 THICK-FLEX - SEE PAGE 19 FOR SPECIFICATIONS  
 OUTSIDE DIAMETER:  
 THICK - 0.48" ( 12.1 mm)  
 MID - 0.34" ( 8.6 mm)  
 THICK-FLEX - 0.48" ( 12.2 mm)

OUTSIDE DIAMETER:

**ELECTRICAL**  
 VOLTAGE RATING:  
 AMPERAGE:

300V AC/DC  
 BASED ON CABLE USED

**ENVIRONMENTAL**

PROTECTION:  
 AMBIENT OPERATING TEMP:

IP 68, NEMA 6P  
 -4° TO 176° F (-20° TO 80° C)  
 (EXCEPT FOR BULKHEAD)

**CERTIFICATIONS**

UL:  
 CSA:

UL LISTED, FILE NO. E152210  
 CSA CERTIFIED, FILE NO. LR6837