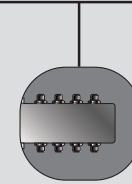


Passive Drop Multi-ports

- 4 port Mini-Change® passive drop
- 6 port Mini-Change passive drop
- 8 port Mini-Change passive drop



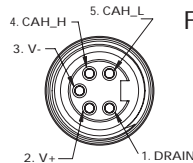
Passive drop Multi-port boxes allow several trunk cables with Mini-Change style of connectors to be consolidated and be connected to the trunk. The drop style multi-ports are available to consolidate 4, 6 or 8 connections of drop cables. Connections to the bus are generally made with passive tee connections. Passive drop multi-ports eliminate the need to have numerous tees connected near a single point. These drop boxes replace multiple Tees (which are not recommended to be gauged together) providing for a more robust plug-and-play DeviceNet system.



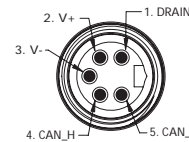
- A family of configurations from 4-to 8-port for maximum installation flexibility
- Rugged enclosure for reliable connectors in an industrial environment

Passive Drop Boxes

FUNCTIONAL WIRING/CONNECTOR FACE VIEWS



FEMALE DROP



MALE BUS IN

	FIG	PASSIVE MINI-CHANGE MPIS	
4 PORT	1 AND 4		DN4000
6 PORT	2 AND 5		DN6000
8 PORT	3 AND 6		DN8000

See Thick Media pages 22-27 to connect to these passive boxes

SCHEMATICS

4 PORT

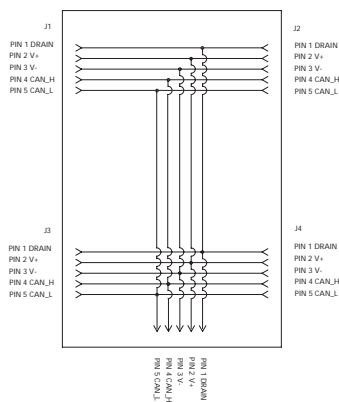


FIG 1

6 PORT

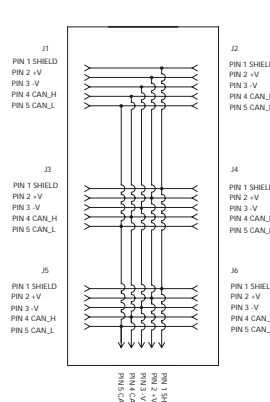


FIG 2

8 PORT

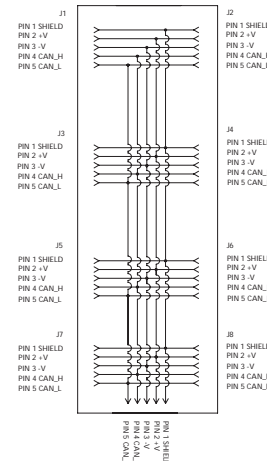


FIG 3

DIMENSIONS

4 Port

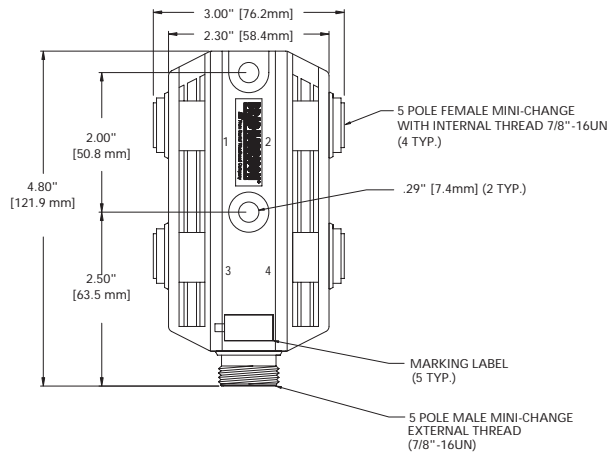


FIG 4

6 Port

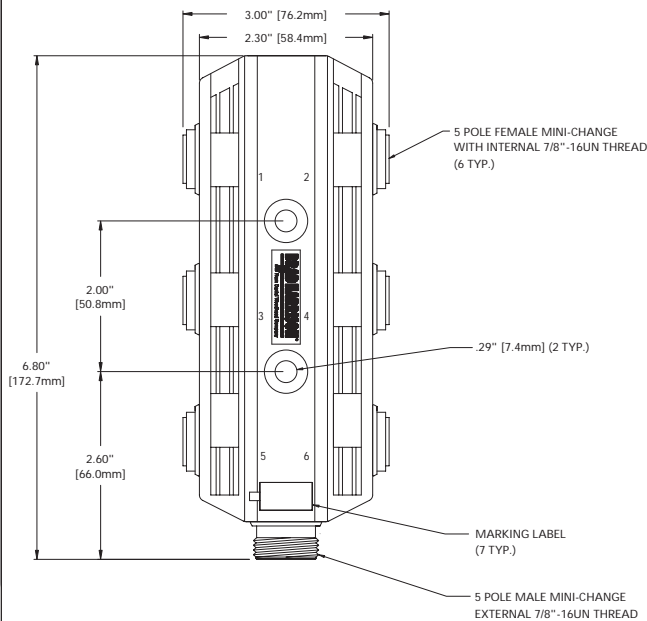


FIG 5

MECHANICAL

INSERT: PVC
 HOUSING: PET (POLYESTER)
 RECEPTACLE HOUSING: ZINC DIECAST WITH BLACK EPOXY COAT
 ID LABEL: ABS

ELECTRICAL

VOLTAGE RATING: 120V AC / DC
 AMPERAGE: 7A TOTAL PER MPIS UNIT

ENVIRONMENTAL

PROTECTION: IP68, NEMA 6P
 AMBIENT OPERATING TEMP: 32° TO 140° F (0° TO 60° C)

CERTIFICATIONS

UL: UL RECOGNIZED, FILE NO. E46237
 CSA: CSA CERTIFIED, FILE NO. LR6837

DIMENSIONS

8 Port

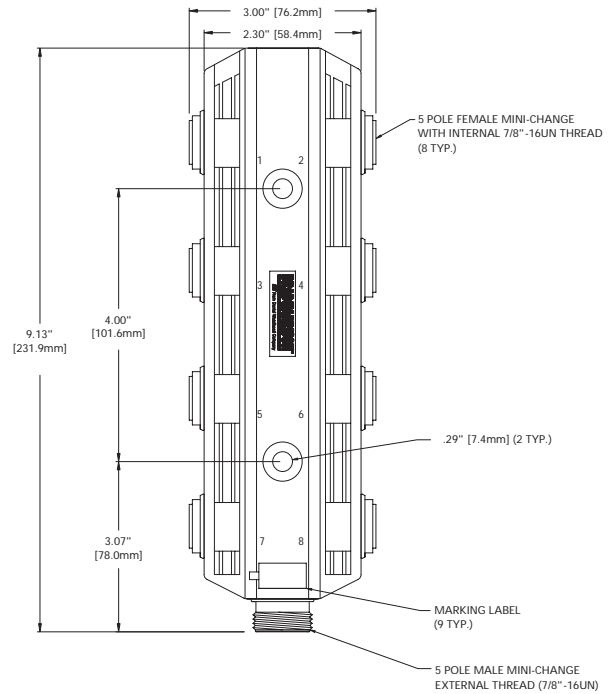


FIG 6