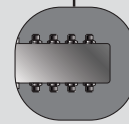


Passive Pass-Thru Boxes

- 2-port Mini-Change® Pass-thru
- 4-port Mini-Change Pass-thru
- 6-port Mini-Change Pass-thru

Pass-thru multiports are designed to consolidate up to 6 drop cables back to the trunk line. The connection of the trunk line is made directly inline to the multiport via the side-mounted BUS IN and BUS OUT connections. These pass-thru versions are available in 2, 4 and 6 connection versions. Passive drop multiports eliminate the need to have numerous tees connected near a single point.



- Family of configurations for maximum flexibility
- Simple BUS IN/BUS OUT connections for connection convenience
- Rugged housing and connectors designed to withstand tough industrial environments



Passive Pass-Thru Boxes

FUNCTIONAL WIRING/CONNECTOR FACE VIEWS		FEMALE PASS-THRU	MALE BUS-IN	FEMALE BUS-OUT
PASS-THRU PASSIVE DROP				
2-PORT	1 AND 4	DN2100		
4-PORT	2 AND 5	DN4100		
6-PORT	3 AND 6	DN6100		

See Thick Media pages 22-27 to connect to these pass - thru boxes

DIMENSIONS

2-Port

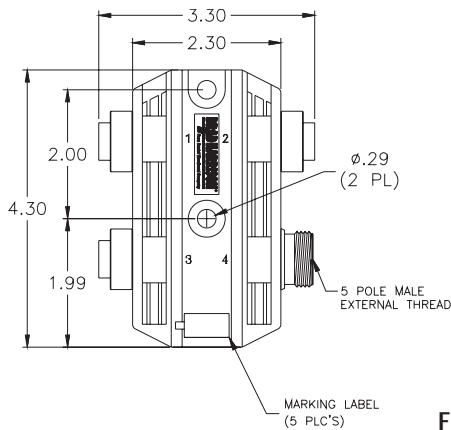


FIG 1

4-Port

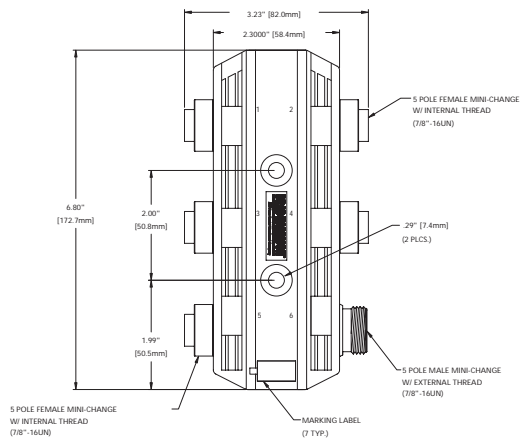


FIG 2

6-Port

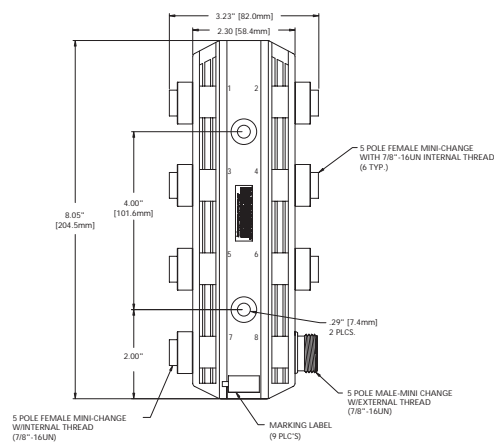


FIG 3

MECHANICAL

INSERT: PVC
HOUSING: PET (POLYESTER)
RECEPTACLE SHELL: ZINC DIECAST WITH BLACK EPOXY COAT
ID LABEL: ABS

ELECTRICAL

VOLTAGE RATING: 120V AC / DC
AMPERAGE: 7A TOTAL PER MPIS UNIT

ENVIRONMENTAL

PROTECTION: IP68, NEMA 6P
AMBIENT OPERATING TEMP: 32° TO 140° F (0° TO 60° C)

CERTIFICATIONS

UL: UL RECOGNIZED, FILE NO E46237
CSA: CSA CERTIFIED, FILE NO LR6837

SCHEMATICS

2-Port

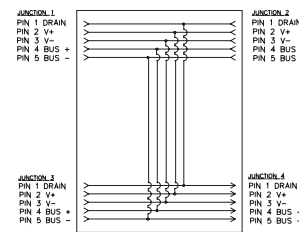


FIG 4

4-Port

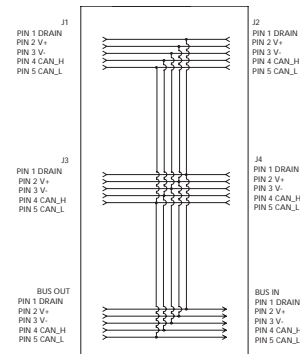


FIG 5

6-Port

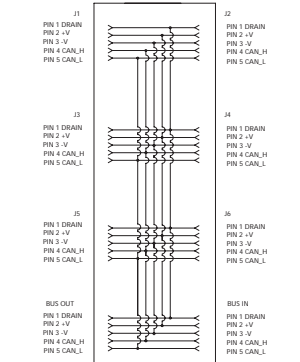


FIG 6