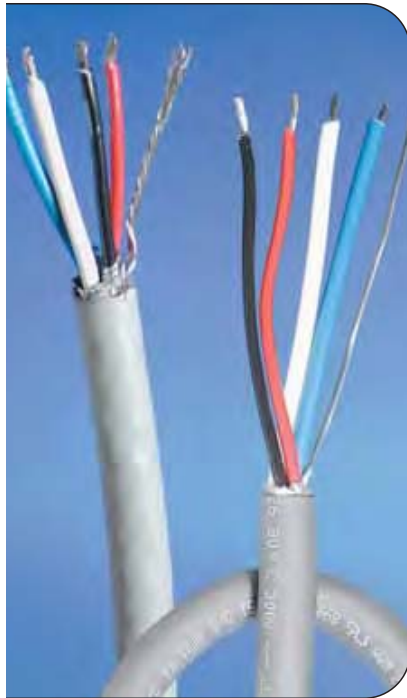
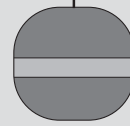


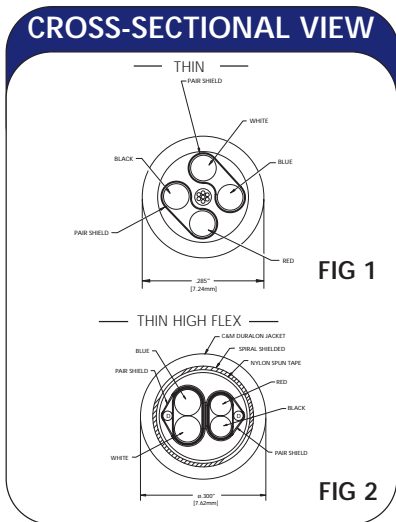
Drop Cable – Thin and Thin High Flex



Thin and Thin High Flex DeviceNet cable allows your network layout flexibility down to the last minute. In combination with field attachable connectors the drop lengths can be determined on the job site. Temporary field installations can be configured using this cable until the final node lengths are determined and molded cordsets can be ordered to size. Flex-rated cable allows you to have tighter bend radii in your installations, making machine dressing simple and neat. By having a length of spooled cabling at the installation site DeviceNet drop lines can be installed through tight troughs or narrow raceway openings where molded connectors cannot be “fished through.”

- Meets and exceeds ODVA specifications for the highest reliability
- Standard Thin or drop line cable
- Thin High Flex is rated over 1.4M flexcycles – 40% greater than most DeviceNet Flex-rated cabling

Specifications



THIN

OVERALL RATING: 300V 80°C

MATERIALS: PVC OUTER JACKET W/ SEMI-RIGID PVC INNER INSULATION (POWER) PE FOAM INNER INSULATION (DATA)

CONSTRUCTION: TWO SHIELDED PAIRS, #22 TIN-COPPER DRAIN WIRE BETWEEN PAIRS

CABLE JACKET COLOR: GRAY

POWER PAIR WIRE: 2#22 INDIVIDUALLY TINNED STRANDED COPPER

SHIELDING: ALUMINUM FOIL SHIELD, 25% OVERLAP

DC RESISTANCE: 16.5 OHMS/1000 FT MAX @ 20°C

MAX AMPERAGE: 4A

COLOR CODE: RED / BLACK

DATA PAIR WIRE: 2#22 INDIVIDUALLY TINNED STRANDED COPPER

SHIELDING: ALUMINUM FOIL SHIELD, 25% OVERLAP

DC RESISTANCE: 16.5 OHMS/1000FT MAX @ 20°C

VELOCITY OF PROPOGATION: 75%

CAPACITANCE: 11 pF/ft

COLOR CODE: WHITE / BLUE

THIN HIGH FLEX

OVERALL RATING: 300V 80°C

MATERIALS: TPE OUTER JACKET PVC W/NYLON SKIN INNER INSULATION *POWER* PE FOAM INNER INSULATION

FLEXURE: ROLLING FLEX > 1M CYCLES @ 10X BEND RADIUS

CONSTRUCTION: TWO FOIL SHIELDED PAIRS, #26 TIN-COPPER DRAINS BETWEEN PAIRS

CABLE JACKET COLOR: GRAY

POWER PAIR WIRE: 2#22 INDIVIDUALLY TINNED STRANDED COPPER

SHIELDING: ALUMINUM OUTSIDE / POLYESTER TAPE, 25% OVERLAP

DC RESISTANCE: 17.5 OHMS/1000 FT MAX @ 20°C

MAX AMPERAGE: 4A

COLOR CODE: RED / BLACK

DATA PAIR WIRE: 2#24 INDIVIDUALLY TINNED STRANDED COPPER

SHIELDING: ALUMINUM OUTSIDE / POLYESTER TAPE, 25% OVERLAP

DC RESISTANCE: 28 OHMS/1000 FT MAX @ 20°C

VELOCITY OF PROPOGATION: 75%

CAPACITANCE: 12 pF/ft

COLOR CODE: WHITE / BLUE

PART NUMBER	DESCRIPTION
DND00A-M500	DEVICENET THIN CABLE 22/22, 50 METERS
DND00A-T100	DEVICENET THIN CABLE 22/22, 100 METERS
DNDF00A-M500	DEVICENET FLEX-RATED THIN CABLE, 50 METERS
DNDF00A-T100	DEVICENET FLEX-RATED THIN CABLE, 100 METERS

APPROVALS

UL : CL2, AWM 2464

CSA : FT4 RATED

APPROVALS

UL : CL3 AWM 20626, FLAME UL 1581

CSA : AWM: I/II A/B, 80°C, 300V FT1