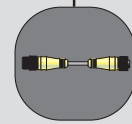


Back Panel Mount Double-Ended Cordsets

- Micro-Change® Double-Ended Cordsets
- Straight and 90° to back panel mount

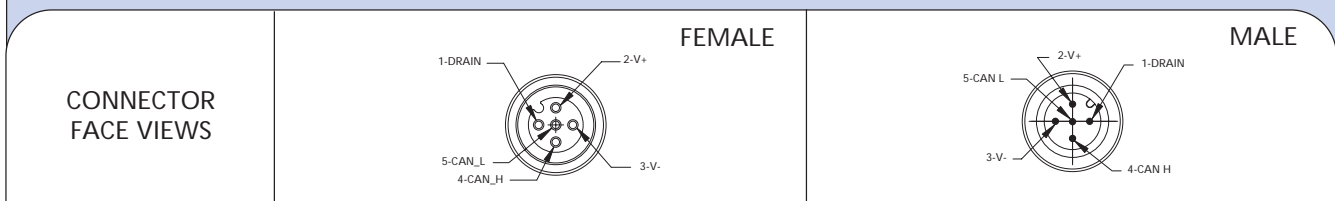


Back panel mount receptacles allow you to complete DeviceNet connectivity from inside the control cabinet to the outside of your control enclosure. These double-ended cordsets allow you to connect a device inside the panel on one end with the other end being a connection point outside the cabinet. A variety of length and material and cable options are available.



- Back panel mount receptacles are used to couple connectivity from the inside to the outside of the control panel
- A variety of configurations are available for maximum flexibility

Back Panel Mount Double-Ended Cordsets



FEMALE/MALE	FIG	DOUBLE-ENDED CORDSETS MICRO-CHANGE BACK PANEL MOUNT
STRAIGHT MICRO-CHANGE / BACK PANEL MICRO-CHANGE	1	DNDC302A-Mxxx
90° MICRO-CHANGE / BACK PANEL MICRO-CHANGE	2	DNDC303A-Mxxx
BACK PANEL MICRO-CHANGE / STRAIGHT MICRO-CHANGE	3	DNDC220A-Mxxx
BACK PANEL MICRO-CHANGE / 90° MICRO-CHANGE	4	DNDC230A-Mxxx
CATALOG OPTIONS		

Use the following chart to modify your part's specifications

DNDC302A-Mxxx

COUPLING NUT

EPOXY COATED ZINC	A
STAINLESS STEEL	SS
NICKEL-BRASS	NB

STANDARD LENGTH*

0.5 METER005
2 METER020
5 METER050

* Please call for availability of non-standard lengths

MECHANICAL

CONNECTOR FACE: NYLON 6/6
 MOLDED BODY: PVC
 COUPLING NUT: ZINC DIECAST W/ BLACK EPOXY COATING
 OPTIONAL STAINLESS STEEL OR NICKEL-BRASS

SHELL: NICKEL-BRASS

SHELL INSERT: NYLON 6/6

CABLE: THIN – SEE PAGE 44 FOR SPECIFICATIONS

OUTSIDE DIAMETER: THIN – 0.27" (6.9 mm)

ELECTRICAL

VOLTAGE RATING: 250V AC / DC

AMPERAGE: 4A

CONTACTS: PHOSPHUR BRONZE ALLOY

CONTACT PLATING: GOLD OVER NICKEL PER ODVA SPECIFICATIONS

ENVIRONMENTAL

PROTECTION: IP68, NEMA 6P

AMBIENT OPERATING TEMP: 4° TO 221° F (-20° TO 105° C)

CERTIFICATIONS

UL: UL LISTED, FILE NO. E152210

CSA: CSA CERTIFIED, FILE NO. LR6837

CONNECTOR DIMENSIONS

Female Straight / Male Back Panel Mount

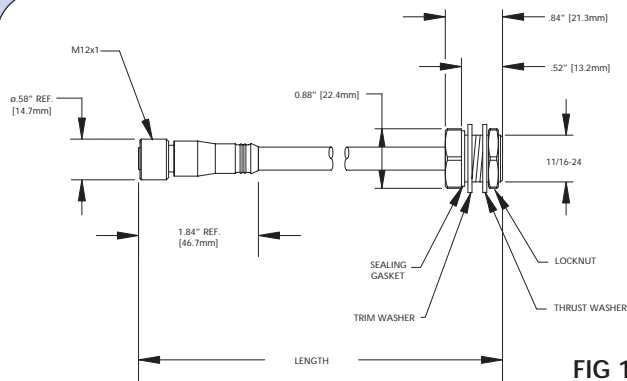


FIG 1

Female Back Panel Mount / Male Straight

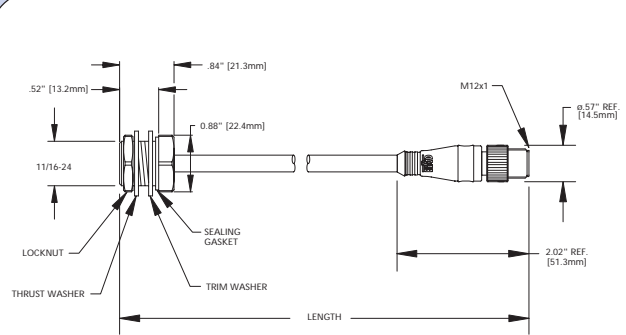


FIG 3

90° Female / Male Back Panel Mount

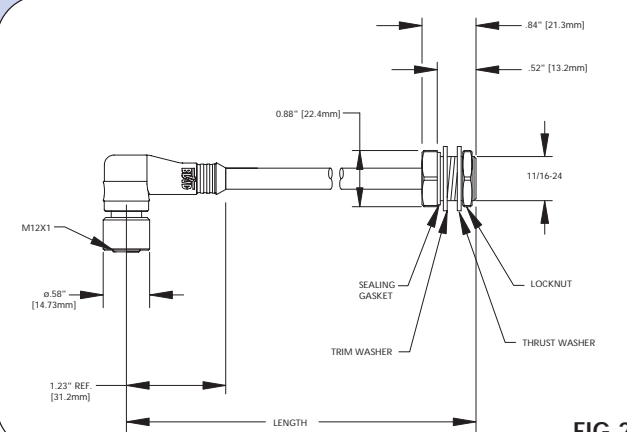


FIG 2

Female Back Panel Mount / Male 90°

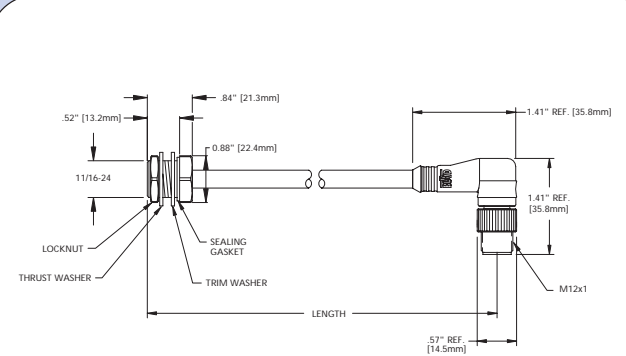


FIG 4