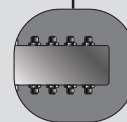


Multi-Port Boxes

- 4-, 8- and 14-port versions
- Tee connectable to bus via Mini-Change® connector
- Mini-Change and Micro-Change® molded cable versions



Passive drop boxes allow several drop cables with Micro-Change or Nano-Change® style of connectors to be consolidated and be connected back to the trunk. The drop style multi-ports are available to consolidate 4 or 8 drop cable connections. Connections to the bus are generally made with passive tee connections. Passive drop boxes eliminate the need to have numerous tees connected near a single point.



- Versions with home run connectors and with molded home run cable available for maximum system design flexibility
- Rugged housing and connectors designed to withstand harsh industrial environments

Drop Multi-Port Boxes

FACE VIEWS	<p>FEMALE DROP</p>	<p>MALE BUS-IN</p>
------------	--------------------	--------------------

	FIG	PASSIVE MICRO-CHANGE DROP WITH MINI-CHANGE HOME RUN CONNECTOR
4-PORT	4	DND4200
8-PORT	2 AND 5	DND8200
	FIG	HOME RUN CABLE FOR USE WITH DND4200 AND DND8200
4-PORT	2 ON PAGE 23	DND91A-Mxxx
8-PORT	2 ON PAGE 23	DND91A-Mxxx
	FIG	PASSIVE MICRO-CHANGE DROP WITH MOLDED MINI-CHANGE HOME RUN CABLE, 2 METER LONG DROP CABLE
4-PORT	1 AND 4	DND4300-02
8-PORT	3 AND 5	DND8300-02
	FIG	PASSIVE MICRO-CHANGE DROP WITH MOLDED MICRO-CHANGE HOME RUN CABLE, 2 METER LONG THIN DROP CABLE
4-PORT	1 AND 4	DND4500-02
8-PORT	3 AND 5	DND8500-02
	FIG	PASSIVE NANO-CHANGE DROP WITH MINI-CHANGE (BUS IN/BUS OUT) CONNECTORS
14-PORT	4	DNTA14114A

Connect single-ended or double-ended drop cables, pages 46-53 to these multi-ports
 Other home run cable lengths and options are available upon request – call Woodhead
 For more home run cables refer to pages 22-25

MECHANICALS

4-Port – Molded Home Run Cable

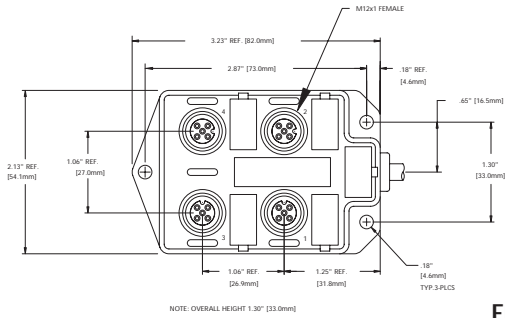


FIG 1

8-Port – Connectorized

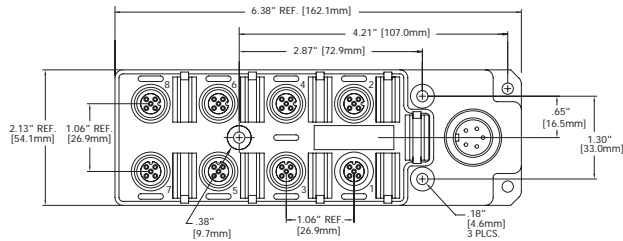


FIG 2

8-Port – Molded Home Run Cable

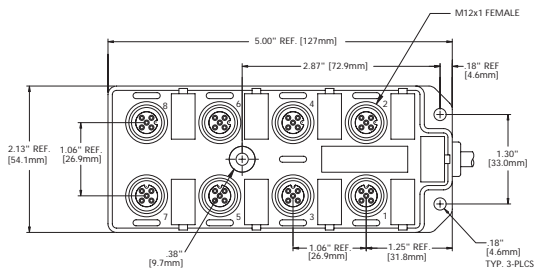


FIG 3

14-Port – Mini-Change With Nano Ports

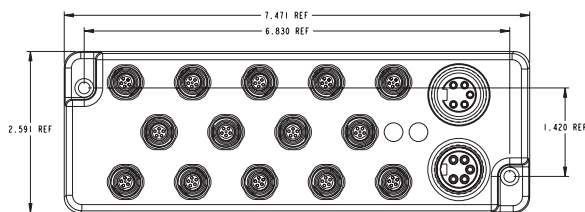


FIG 4

MECHANICAL

- INSERT: PA
- HOUSING: GLASS-FILLED PBT
- HOUSING (RECEPTACLE): NICKEL-PLATED BRASS
- ID LABEL: ABS
- HOME RUN CABLE: MINI-CHANGE – THIN
SEE SPECIFICATIONS ON PAGE 44
MICRO-CHANGE – THIN
SEE SPECIFICATIONS ON PAGE 44
- HOME RUN CONNECTORS: MINI-CHANGE
SEE SPECIFICATIONS ON PAGE 23
MICRO-CHANGE
SEE SPECIFICATIONS ON PAGE 49

ELECTRICAL

- VOLTAGE RATING: 30V AC / DC
- AMPERAGE: 4A PER PORT
12A MAX PER UNIT

ENVIRONMENTAL

- PROTECTION: IP68, NEMA 6P
- AMBIENT OPERATING TEMP: -13° TO 194° F (-25° TO 90° C)

SCHEMATICS

4-Port

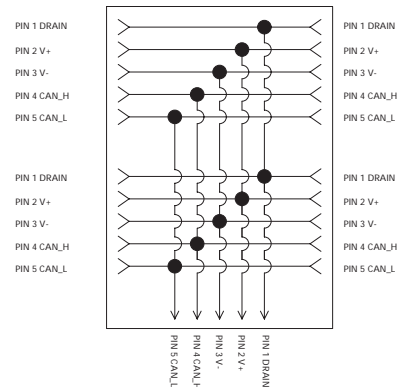


FIG 5

8-Port

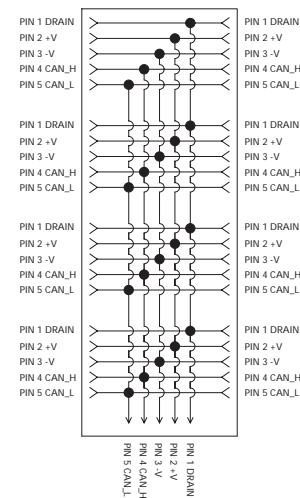


FIG 6