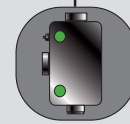


Power Tap

- Female – male connection to trunk line
- Female – female connection to trunk line
- Male – female connection to trunk line

Power taps allow power to be quickly connected to the network. It distributes power to two 4A networks by providing a means to quickly and simply connect one power source. By separately fusing the two segments each of the (2) sections can be independently diagnosed. In addition the LEDs provided on the power tap tell you if each of the segments has the correct polarity connected. A male connection on the drop power connection insures safe installation by not having live power on the connection from the power supply. A GREEN LED indication tells you the power is correctly connected while a RED LED clearly indicates reverse polarity.



- Connects power supply to DeviceNet Trunk Line in convenient plug/play fashion
- Easily replaceable fuses to protect bus and connected components from excessive current
- Provides LED status indication of power and correct polarity connection for simple diagnostics



Power Tap Connections (Mini-Change® Connections)

FACE VIEWS	LEFT-BUS IN FEMALE	DROP-POWER	RIGHT-BUS OUT MALE
FEMALE/MALE	FIG 1 AND 4	DN – PT1	
FACE VIEWS	LEFT-BUS IN FEMALE	DROP-POWER	RIGHT-BUS OUT FEMALE
FEMALE/FEMALE	FIG 2 AND 4	DN – PT2	
FACE VIEWS	LEFT-BUS IN MALE	DROP-POWER	RIGHT-BUS OUT FEMALE
MALE/FEMALE	FIG 4	DN – PT3	

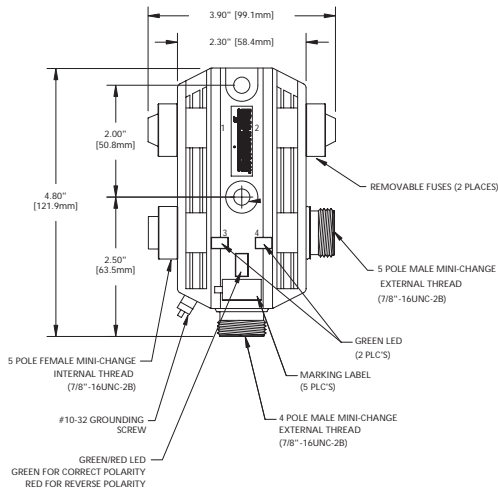
Cordsets to make bus IN/OUT connections pages 22-25. Cordsets to make drop power connection, pages 66-67.

Drop Tee/Wye

LEFT TRUNK CONNECTION FEMALE FACE VIEW		RIGHT TRUNK CONNECTION MALE FACE VIEW		DROP FEMALE CONNECTOR FACE VIEW	
FIG MOLDED BUS DROP TEE/WYE					
SEGMENTED POWER-INFUSION TEE					
FIG 3 AND 5					
DN3030-PT-1 (90° cordset drops right; other configurations available)					

POWER TAP DIMENSIONS

Female-male - DNPT1



Note: For DNPT-3 reverse bus in/out connections

FIG 1

Female-female - DNPT2

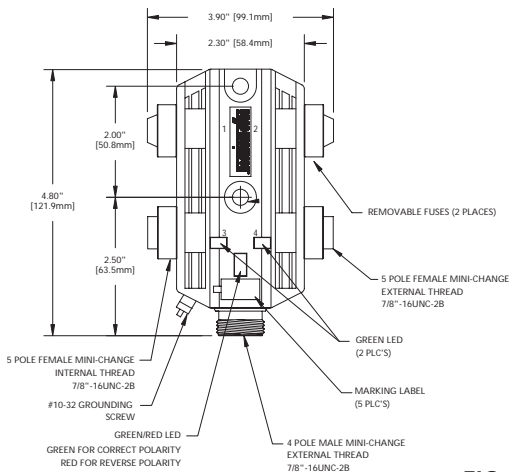


FIG 2

DN3030-PT-1

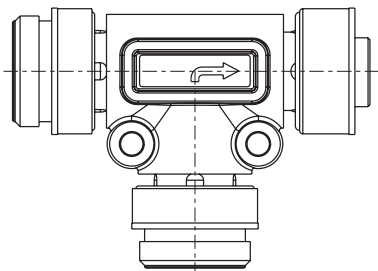


FIG 3

MECHANICAL

INSERT: NYLON 6/6
 HOUSING: PBT
 RECEPTACLE HOUSING: ZINC DIECAST WITH BLACK EPOXY COAT
 ID LABEL: ABS
 MOUNTING: 2PTS, 0.290" (7.37mm)

ELECTRICAL

VOLTAGE RATING: 50V DC
 FUSE PROTECTION: 4A
 GROUNDING: VIA #10-32 SCREW

ENVIRONMENTAL

PROTECTION: IP67
 AMBIENT OPERATING TEMP: -20° TO 158° F (-29° TO 70° C)

SCHEMATICS

Female-male - DNPT1/Female-female - DNPT2

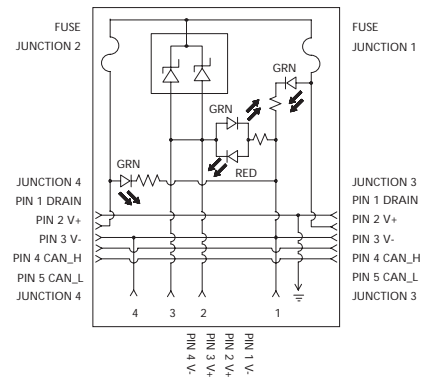


FIG 4

DN3030-PT-1

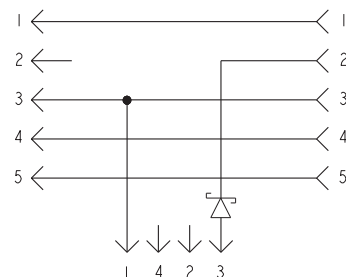


FIG 5