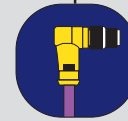


Double-Eded Cordsets

- Double-ended straight
- Double-ended 90°

Profibus double-ended cordsets are used in a variety of configurations where a complete daisy-chain plug-and-play solution is desired. These cordsets are designed to connect one module to the next. For instance, double ended-cordsets can connect to the bus IN connection of a Profibus Module to the bus OUT connection of the next node and/or module. Male connectors are supplied with externally threaded coupling nuts while female connectors are supplied with internally threaded coupling nuts. This allows you to daisy chain these lines in a variety of configurations.



- PUR jacketed for chemical and oil resistance
- Low-resistance contact design for repeated mating
- Provides a plug-and-play solution for quick field installation
- 360° shielded head design to reduce RFI/EMI



Double-Eded Cordsets

FACE VIEWS		MALE		FEMALE
	COLOR CODE	1 – NOT USED 2 – GREEN (BUS-A) 3 – NOT USED	4 – RED (BUS-B) 5 – SHIELD	
VOLTAGE	250V AC / DC			
CURRENT	4A			
CABLE	#22 AWG			

FEMALE/MALE	FIG	DOUBLE-ENDED CORDSETS WITH CABLE
STRAIGHT/STRAIGHT	1	BB5S30PP4Mxxx
90°/STRAIGHT	2	BB5S31PP4Mxxx
STRAIGHT/90°	3	BB5S32PP4Mxxx
90°/90°	4	BB5S33PP4Mxxx

OPTIONS

* See pages 98-101 for additional mating receptacles Use the following chart to modify your part's specifications

BB5S30PP4Mxxx

CONNECTOR CONFIGURATION

STRAIGHT FEMALE TO STRAIGHT MALE	30
90° FEMALE TO STRAIGHT MALE	31
STRAIGHT FEMALE TO 90° MALE	32
90° FEMALE TO 90° MALE	33

SALE LENGTH

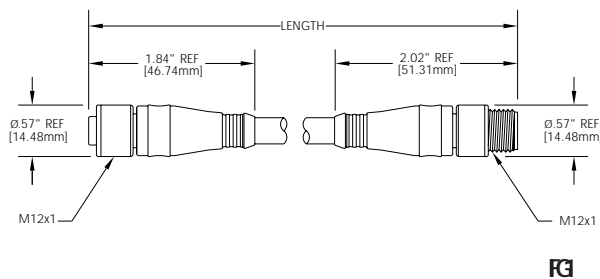
0.6 METER	006
1 METER	010
2 METER	020
3 METER	030
4 METER	040
5 METER	050
10 METER	100

* Please call for availability of non-standard lengths

MECHANICAL	
CONNECTOR FACE:	NYLON 6/6
MOLDED BODY:	PUR
COUPLING NUT:	NICKEL-PLATED BRASS (360° SHIELDED)
CABLE	
OUTSIDE DIAMETER:	8 +/- 0.2mm
CABLE CONSTRUCTION	
JACKET MATERIAL:	PUR
INNER MATERIAL INSULATION:	PE INSULATION
SHIELD TYPE:	PETP/AV FOIL, TINNED COPPER BRAID 65%
CONDUCTOR:	TWISTED PAIR 24AWG
CABLE EXTENSION	
TORSION:	SURVIVED MORE THAN 2 MILLION CYCLES AT 360° OVER 1 M
C-TRACK:	SURVIVED MORE THAN 3 MILLION CYCLES AT ACCELERATION OF 10 M/s ² AND PROCESS SPEED OF 5 M/s
BEND RADIUS:	7.5 X CABLE DIAMETER (STATIC)
ELECTRICAL	
VOLTAGE RATING:	250V AC/DC
ENVIRONMENTAL	
PROTECTION:	IP67, NEMA 6
AMBIENT OPERATING TEMP:	-4° TO 176° F (-20° TO 80° C) MOVING

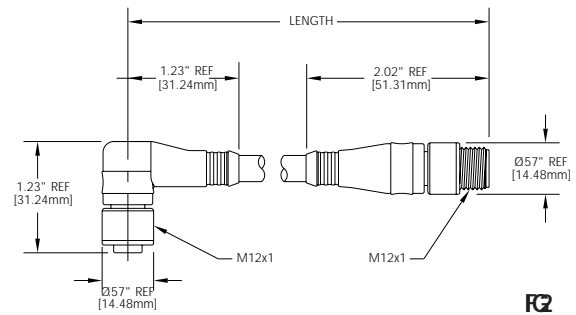
CONNECTOR DIMENSIONS

Female Straight/Male Straight

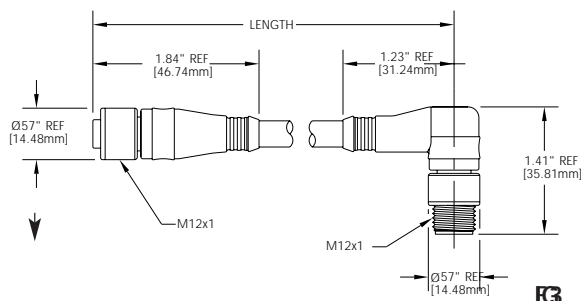


CONNECTOR DIMENSIONS

Female 90°/Male Straight



Female Straight/Male 90°



Female 90°/Male 90°

