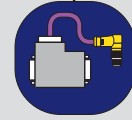


D-Sub Cordsets

- 9-pin D-Sub to dual reverse key Micro-Change® connectors

Profibus Reverse Key Micro-Change® to 9-pin D-Sub cordsets are available in dual cable versions. These cordsets are used in a variety of configurations where a complete daisy-chain plug-and-play solution is desired. The cordsets are designed to provide a splitter connection which allows you to connect one module to the next. For instance a dual cable can be connected to the bus OUT connection of a Profibus Module and the D-Sub can be connected to a Profibus interface card with the remaining end being connected to the bus in of the next module. Male connectors are supplied with externally threaded coupling nuts while female connectors are supplied with internally threaded coupling nuts, and the 9-pin D-Sub has a male pin out configuration. D-Sub termination switch is shipped from factory pre-set in the "off" position.



- PUR jacketed for chemical and oil resistance
- D-Sub connector enables interface card connection
- The shielded D-Sub connector maintains signal integrity in noisy environments
- 360° shielded Micro-change head design to reduce RFI/EMI
- D-Sub includes termination switch for field installation flexibility



D-Sub Cordsets

FACE VIEWS	MALE D-SUB	MALE	FEMALE
COLOR CODE	1 - NOT USED 4 - NOT USED 7 - NOT USED 2 - NOT USED 5 - NOT USED 8 - GREEN (BUS-A) 3 - RED (BUS-B) 6 - NOT USED 9 - NOT USED	1 - NOT USED 4 - RED (BUS-B) 2 - GREEN (BUS-A) 3 - NOT USED 5 - SHIELD	
VOLTAGE	250V AC / DC		
CURRENT	4A		
CABLE	#22 AWG		

	FIG	HORIZONTAL D-SUB	VERTICAL D-SUB	VERTICAL D-SUB WITH PROGRAMMING PORT
(2) STRAIGHT MALE MICRO-CHANGE	1	BM5G60PP4Mxxx	BM5G62PP4Mxxx	BP5G62PP4Mxxx
(2) 90° MALE MICRO-CHANGE	2	BM5G61PP4Mxxx	BM5G63PP4Mxxx	BP5G63PP4Mxxx
(2) STRAIGHT FEMALE MICRO-CHANGE	3	BM5G30PP4Mxxx	BM5G32PP4Mxxx	BP5G32PP4Mxxx
(2) 90° FEMALE MICRO-CHANGE	4	BM5G31PP4Mxxx	BM5G33PP4Mxxx	BP5G33PP4Mxxx
(1) STRAIGHT MALE (1) STRAIGHT FEMALE	5	BM5G70PP4Mxxx	BM5G72PP4Mxxx	BP5G72PP4Mxxx

OPTIONS

Use the following chart to modify your part's specifications

BM5G62PP4Mxxx

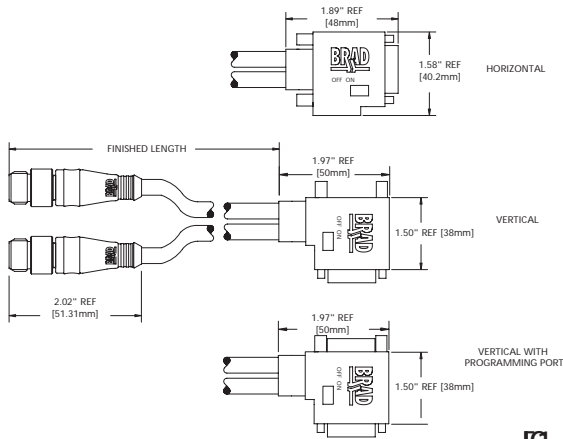
SMDB LENS

1 METER	010
2 METER	020
5 METER	050

* Please call for availability of non-standard lengths

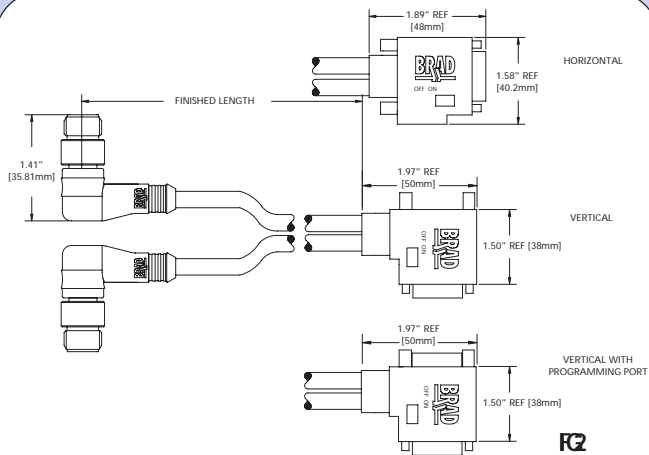
CONNECTOR DIMENSIONS

D-Sub to Straight Male



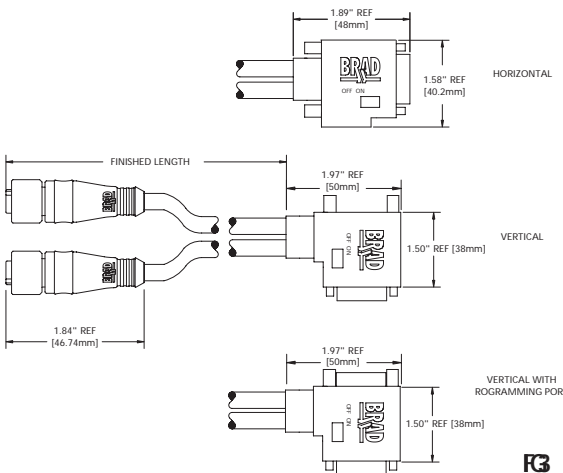
FG

D-Sub to 90° Male



FQ

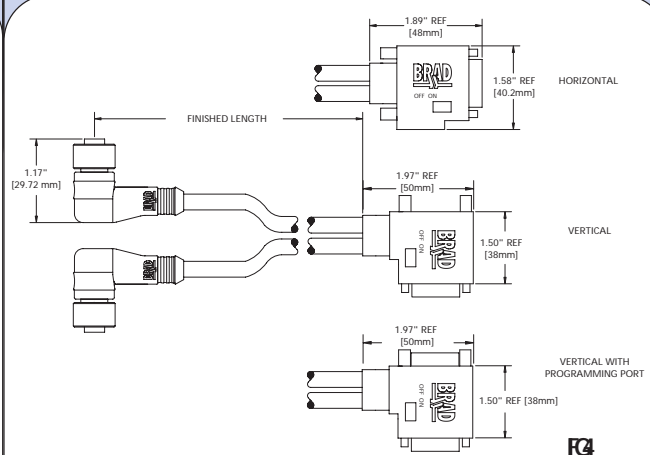
D-Sub to Straight Female



FG

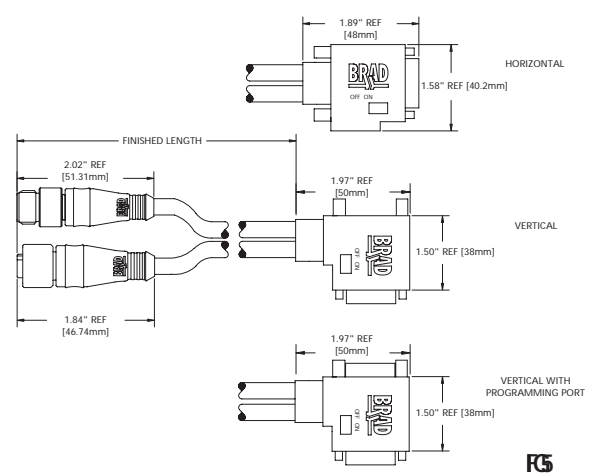
CONNECTOR DIMENSIONS

D-Sub to 90° Female



FQ

D-Sub to Straight Male and Female



FG

- MECANICA MICRO-CRIS CONECTOR**
 CONNECTOR FACE: NYLON 6/6
 MOLDED BODY: PUR
 COUPLING NUT: NICKEL-PLATED BRASS (360° SHIELDED)
- ENVIRONMENTAL**
 PROTECTION: IP67, NEMA 6
 AMBIENT OPERATING TEMP: -4° TO 176° F (-20° TO 80° C) MOVING
- MECANICA PIN D-SUB CONECTOR**
 MATERIAL: ABS
- ENVIRONMENTAL PIN D-SUB CONECTOR**
 PROTECTION: IP40
 AMBIENT OPERATING TEMPERATURE: 32° TO 140° F (0° TO 60° C)
- CABLE CONSTRUCTION**
 OUTSIDE DIAMETER: 8 +/- 0.2mm
 JACKET MATERIAL: PUR
 INNER MATERIAL INSULATION: PE INSULATION
 SHIELD TYPE: PET/AV FOIL, TINNED COPPER BRAID 65%
 CONDUCTOR: TWISTED PAIR 24AWG
- PERFORMANCE**
 TORSION: SURVIVED MORE THAN 2 MILLION CYCLES AT 360° OVER 1 M
 SURVIVED MORE THAN 3 MILLION CYCLES AT ACCELERATION OF 10 M/S² AND PROCESS SPEED OF 5 M/S
 C-TRACK: 7.5 X CABLE DIAMETER (STATIC)
- ELECTRICAL**
 BEND RADIUS: 250V AC/DC
 VOLTAGE RATING: 250V AC/DC