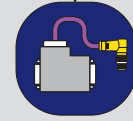


D-Sub Cordsets

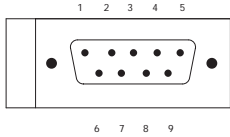
- 9-pin D-sub to Dual 9-pin D-sub

Profibus 9-Pin D-Sub cordsets are available in dual cable versions. These products are manufactured with 9-Pin D-Sub connectors assembled to custom lengths of cable to save you time during system installation. Both versions include an integral termination switch which provides the end user flexibility in assigning end segment nodes. The cordsets are used in a variety of configurations where a complete plug-and-play solution is desired. For instance a double-ended D-Sub can be connected from the PLC to another Profibus enabled node that is acting as a slave on the network such as a PLC network communication module. The product is grounded via the connector shell and mounting screws. D-Sub termination switch is shipped from factory pre-set in the "off" position.



- PUR jacketed for chemical and oil resistance
- D-Sub connector enables interface card connection
- D-Sub connector provides termination circuitry
- D-Sub includes termination switch for field installation flexibility

D-Sub Cordsets

FACE VIEWS	
COLOR CODE	1 – NOT USED 4 – NOT USED 7 – NOT USED 2 – NOT USED 5 – NOT USED 8 – GREEN (BUS-A) 3 – RED (BUS-B) 6 – NOT USED 9 – NOT USED
VOLTAGE	30V AC / DC
CURRENT	4A
CABLE	#22 AWG

D-SUB CONNECTOR CONFIGURATION	FIG	HORIZONTAL D-SUB	VERTICAL D-SUB	VERTICAL D-SUB WITH PROGRAMMING PORT
(2) HORIZONTAL	1	MM3G60PP4Mxxx	MM3G62PP4Mxxx	MP3G62PP4Mxxx
(2) VERTICAL	2	MM3G61PP4Mxxx	MM3G63PP4Mxxx	MP3G63PP4Mxxx
(1) HORIZONTAL (1) VERTICAL	3	MM3G70PP4Mxxx	MM3G72PP4Mxxx	MM3G72PP4Mxxx

OPTIONS

Use the following chart to modify your part's specifications

MM3G62PP4Mxxx

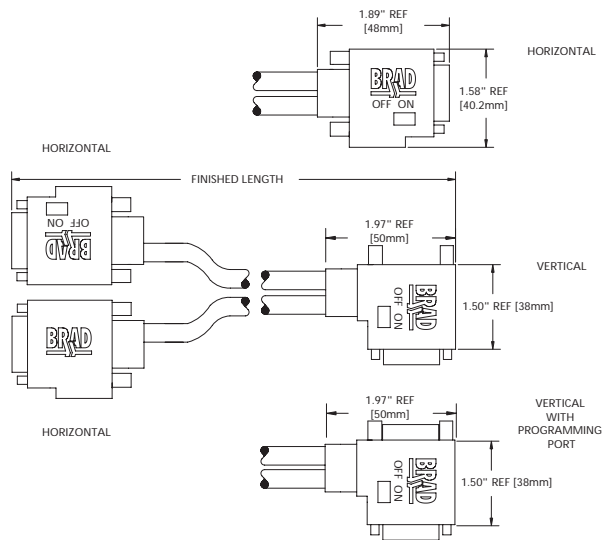
LENGTH

1 METER	010
2 METER	020
5 METER	050

* Please call for availability of non-standard lengths

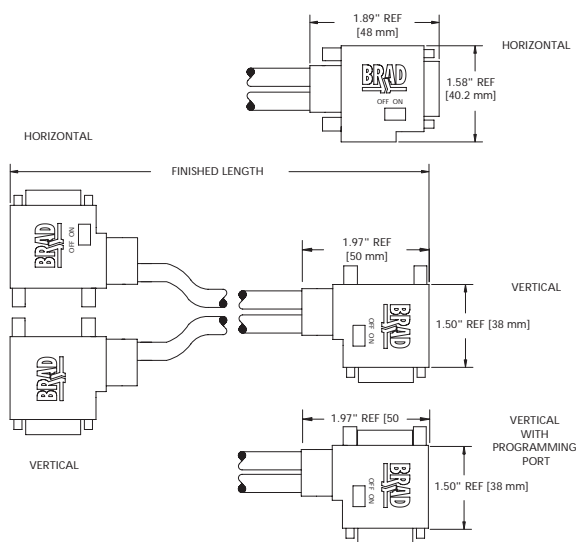
CONNECTOR DIMENSIONS

D-Sub to (2) D-Sub Horizontal



F3

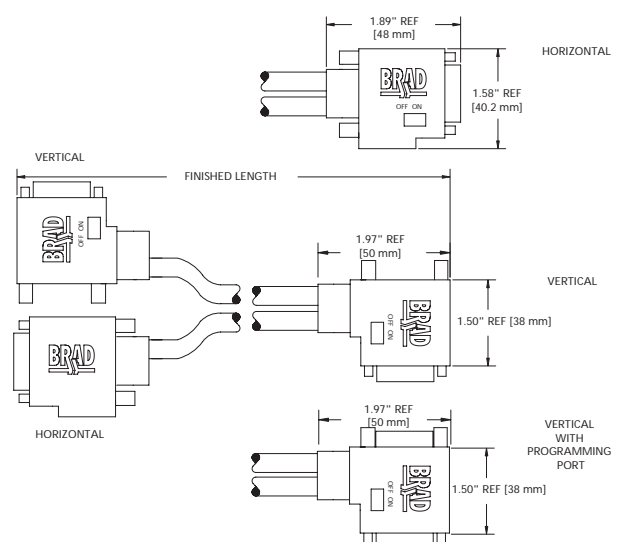
D-Sub to (2) D-Sub Vertical



F2

CONNECTOR DIMENSIONS

D-Sub to D-Sub Vertical and D-Sub Horizontal



F3

MECHANICAL	MATERIAL: ABS
ENVIRONMENTAL	PROTECTION: IP40
AMBIENT OPERATING TEMPERATURE:	32° TO 140° F (0° TO 60° C)
CABLE	OUTSIDE DIAMETER: 8 +/- 0.2 mm
CABLE CONSTRUCTION	JACKET MATERIAL: PUR
	INNER MATERIAL INSULATION: PE INSULATION
	SHIELD TYPE: PETP/AV FOIL, TINNED COPPER BRAID 65%
	CONDUCTOR: TWISTED PAIR 24AWG
PERFORMANCE	TORSION: SURVIVED MORE THAN 2 MILLION CYCLES AT 360° OVER 1 M
	C-TRACK: SURVIVED MORE THAN 3 MILLION CYCLES AT ACCELERATION OF 10 M/s ² AND PROCESS SPEED OF 5 M/s
	7.5 X CABLE DIAMETER (STATIC)
ELECTRICAL	BEND RADIUS:
	VOLTAGE RATING: 250V AC/DC