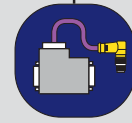


# D-Sub Cordsets

- 9-pin D-Sub to connector

Profibus 9-Pin D-Sub cordsets are available in single- and double-ended versions. These products are manufactured with 9-Pin D-Sub connectors assembled to custom lengths of cable to save you time during system installation. Both versions include an integral termination switch which provides the end user flexibility in assigning end segment nodes. The cordsets are used in a variety of configurations where a complete plug-and-play solution is desired. For instance a double-ended D-Sub can be connected from the PLC to another Profibus enabled node that is acting as a slave on the network such as a PLC network communication module. The product is grounded via the connector shell and mounting screws. D-Sub termination switch is shipped from factory pre-set in the "off" position.



- PUR jacketed for chemical and oil resistance
- D-Sub connector enables interface card connection
- D-Sub connector provides termination circuitry
- D-Sub includes termination switch for field installation flexibility

## D-Sub Cordsets

FACE VIEWS			
COLOR CODE	1 – NOT USED 2 – NOT USED 3 – RED (BUS-B)	4 – NOT USED 5 – NOT USED 6 – NOT USED	7 – NOT USED 8 – GREEN (BUS-A) 9 – NOT USED
VOLTAGE	30V AC / DC		
CURRENT	4A		
CABLE	#22 AWG		

D-SUB CONNECTOR CONFIGURATION	FIG	HORIZONTAL	VERTICAL	VERTICAL WITH PROGRAMMING PORT
HORIZONTAL	1	MM3S60PP4Mxxx	MM3S62PP4Mxxx	MP3S62PP4Mxxx
VERTICAL	2	MM3S62PP4Mxxx	MM3S63PP4Mxxx	MP3S63PP4Mxxx
SINGLE ENDED	3	M03S06PP4Mxxx	M03S07PP4Mxxx	P03S07PP4Mxxx

### OPTIONS

Use the following chart to modify your part's specifications

MM3S62PP4Mxxx

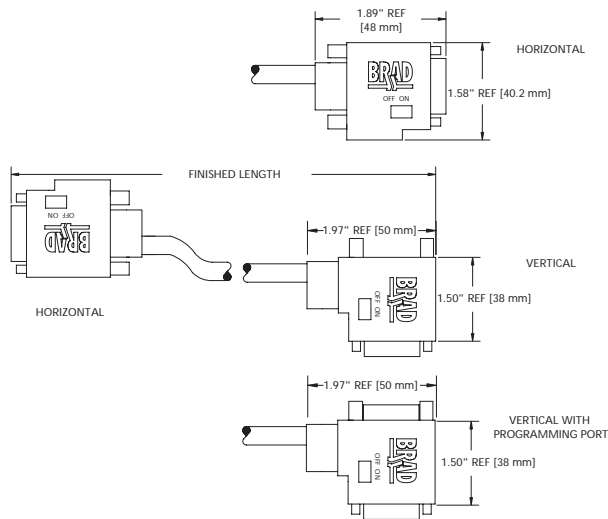
#### LENGTH

1 METER . . . . .	010
2 METER . . . . .	020
5 METER . . . . .	050

\* Please call for availability of non-standard lengths

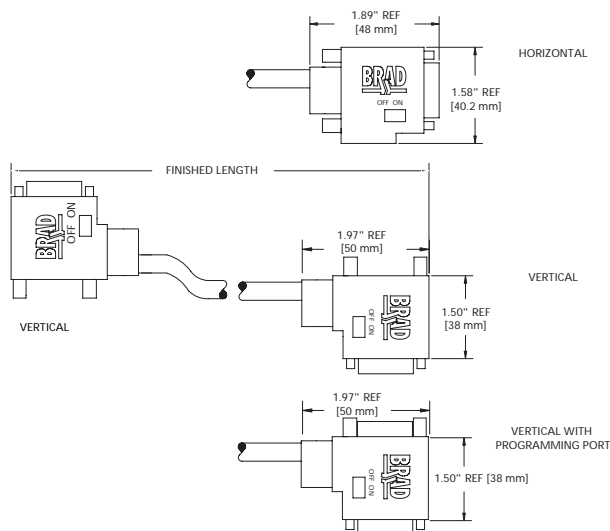
### CONNECTOR DIMENSIONS

#### D-Sub to D-Sub Horizontal



R2

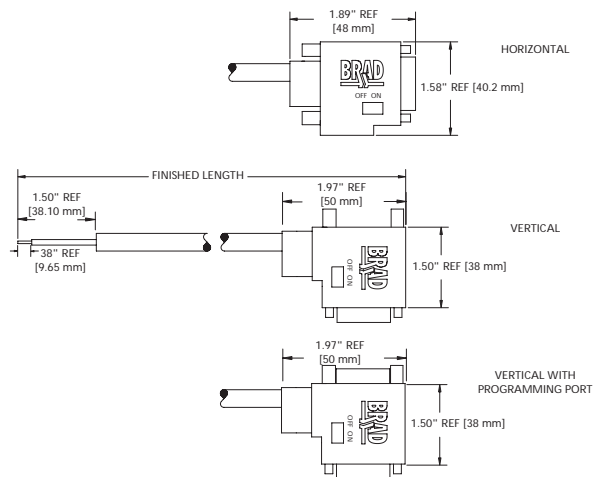
#### D-Sub to D-Sub Vertical



R2

### CONNECTOR DIMENSIONS

#### Single Ended D-Sub



R3

<b>MECHANICAL</b>	<b>MATERIAL:</b>	ABS
<b>ENVIRONMENTAL</b>	<b>PROTECTION:</b>	IP40
<b>AMBIENT OPERATING TEMPERATURE:</b>		32° TO 140° F (0° TO 60° C)
<b>CABLE</b>	<b>OUTSIDE DIAMETER:</b>	8 +/- 2.0mm
<b>CABLE CONSTRUCTION</b>	<b>JACKET MATERIAL:</b>	PUR
	<b>INNER MATERIAL INSULATION:</b>	PE INSULATION
	<b>SHIELD TYPE:</b>	PETP/AV FOIL, TINNED COPPER BRAID 65%
	<b>CONDUCTOR:</b>	TWISTED PAIR 24AWG
<b>CABLE PERFORMANCE</b>	<b>TORSION:</b>	SURVIVED MORE THAN 2 MILLION CYCLES AT 360° OVER 1 M
	<b>C-TRACK:</b>	SURVIVED MORE THAN 3 MILLION CYCLES AT ACCELERATION OF 10 M/s <sup>2</sup> AND PROCESS SPEED OF 5 M/s
	<b>BEND RADIUS:</b>	7.5 X CABLE DIAMETER (STATIC)
<b>ELECTRICAL</b>	<b>VOLTAGE RATING:</b>	250V AC/DC