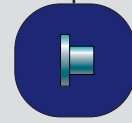


Data Line Receptacles

- Male and female Reverse Key Micro-Change® receptacles
- Back panel mount
- Cable or wire lead

A variety of receptacles allow the data line to enter an enclosure and make a connection to the inside of the panel and its components. Male or female receptacles can be mounted to the enclosure with wire leads connecting to the open terminal strip of a motor controller, the master scanner card engaged in the PLC or a power supply which is supplying power for the network. The length of the cable or wire can be varied.



- Epoxy potted for durability
- Provides a quick disconnect solution to control panels
- Enables plug-and-play to junction boxes



Data Line Receptacles

FACE VIEWS			MALE			FEMALE
	COLOR CODE	1 – NOT USED 2 – GREEN (BUS-A) 3 – NOT USED		4 – RED (BUS-B) 5 – SHIELD		
VOLTAGE	250V AC/DC					
CURRENT	4A					
MALE	FIG	RECEPTACLES WITH 1 METER CABLE LEAD AND M16 THREAD				
STRAIGHT	1	BR5U76PP4M 8				
FEMALE	FIG	RECEPTACLES WITH 1 METER CABLE LEAD AND M16 THREAD				
STRAIGHT	2	BR5U70PP4M 8				
OPTIONS						

Use the following chart to modify your parts specifications

BR5U76PP4M~~8~~xxx3

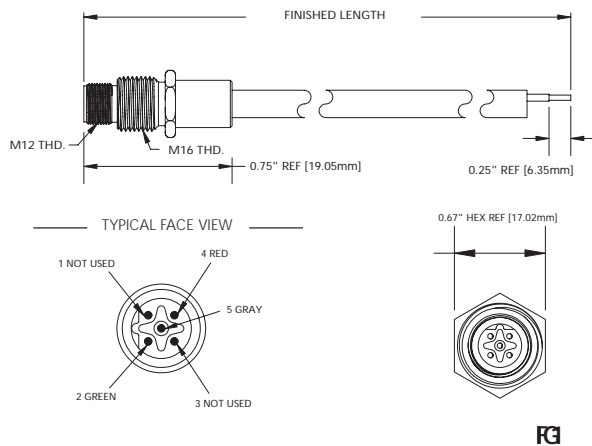
LEAD LENGTH

2 METERS	020
5 METERS	050

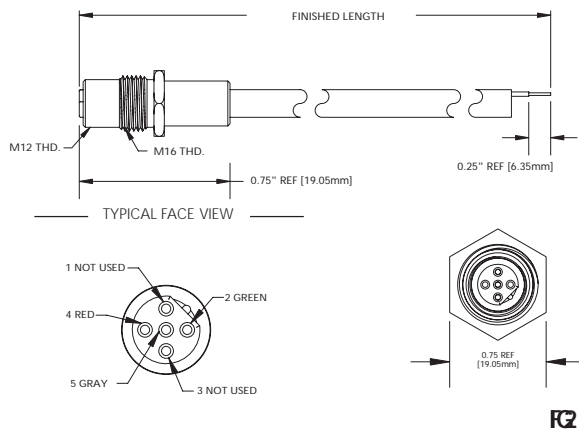
* Please call for availability of non-standard lengths

RECEPTACLE DIMENSIONS

Back Panel Mount Male Receptacle with M16 thread and cable lead



Back Panel Mount Female Receptacle with M16 thread and cable lead



- MECHANICAL**
- SHELL: NICKEL-PLATED BRASS
 - INSERT: NYLON 6/6
 - O-RING: NITRILE RUBBER
- CABLE CONSTRUCTION**
- JACKET MATERIAL: PUR
 - INNER MATERIAL INSULATION: PE INSULATION
 - SHIELD TYPE: PETP/AV FOIL, TINNED COPPER BRAID 65%
 - CONDUCTOR: TWISTED PAIR 24AWG
- ENVIRONMENTAL**
- TORSION: SURVIVED MORE THAN 2 MILLION CYCLES AT 360° OVER 1 METER
 - C-TRACK: SURVIVED MORE THAN 3 MILLION CYCLES AT ACCELERATION OF 10M/S² AND PROCESS SPEED UP TO 5M/S
 - BEND RADIUS: 7.5 X CABLE DIAMETER (STATIC)
- ELECTRICAL**
- OUTSIDE DIAMETER: 8 +/- 0.2mm
 - VOLTAGE RATING: 250V AC/DC
- ENVIRONMENTAL**
- PROTECTION: IP68, NEMA 6
 - AMBIENT OPERATING TEMP: -4° TO 176° F (-20° TO 80°C) MOVING