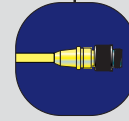


## Site- ad Double-ended Cordsets

- Mini-Change® cordsets
- Single-ended female and male; straight and 90°
- Double-ended female to male; straight and 90°

Both single- and double-ended 5P Mini-Change® cordsets, receptacles and tees are used to connect power to a variety of devices including active I/O modules. Female connections bring power safely to the blocks. When powering active modules the molded Mini-Change connector end of the cable connects to the block while the flying lead end is connected to the power supply output. Double-ended cordsets are used to provide a quick-disconnect on the power source.



- #16 AWG yellow ST00W cable – U.S. color code
- Oil-resistant PVC jacket
- Low-resistance contact design with gold/palladium nickel plating



## Site- ad Double-ended Cordsets

FACE VIEWS	MALE	FEMALE
COLOR CODE	1- WHITE (OUTPUT POWER V-) 2- RED (BUS/INPUT POWER V-)	3- GREEN (EARTH GROUND) 4- ORANGE (BUS/INPUT POWER V+) 5- BLACK (OUTPUT POWER V+)
<b>MALE</b>	<b>SINGLE-ENDED CORDSETS WITH #16 AWG ST00W CABLE</b>	
STRAIGHT	105006A01Mxxx	
90°	105007A01Mxxx	
<b>FEMALE</b>	<b>SINGLE-ENDED CORDSETS WITH #16 AWG ST00W CABLE</b>	
STRAIGHT	105000A01Mxxx	
90°	105001A01Mxxx	
<b>MALE/FEMALE</b>	<b>DOUBLE-ENDED CORDSETS WITH #16 AWG ST00W CABLE</b>	
STRAIGHT/STRAIGHT	115030A01Mxxx	
90°/STRAIGHT	115032A01Mxxx	
STRAIGHT/90°	115031A01Mxxx	
90°/90°	115033A01Mxxx	

### OPTIONS

See Brad Harrison catalog for additional power media

Use the following chart to modify your part's specifications

## 115030A01Mxxx

### CBE OPTION

SINGLE-ENDED CORDSET	.10
DOUBLE-ENDED CORDSET	.11

### MOLDED END CONFIG

SINGLE END FEMALE STRAIGHT	... 000
SINGLE END FEMALE 90°	... 001
SINGLE END MALE STRAIGHT	... 006
SINGLE END MALE 90°	... 007
FEMALE STRAIGHT/MALE STRAIGHT	. 030
FEMALE 90°/MALE STRAIGHT	... 031
FEMALE STRAIGHT/MALE 90°	... 032
FEMALE 90°/MALE 90°	... 033

### SALE LENGTH

0.6 METERS	... 006
1 METER	... 010
2 METERS	... 020
3 METERS	... 030
4 METERS	... 040
5 METERS	... 050

\* Please call for availability of non-standard lengths

**MECHANICAL**

CONNECTOR FACE: PVC – UL STD 94 – VO  
 MOLDED BODY: PVC – UL STD 94 – VO  
 COUPLING NUT: ZINC DIECAST W/ BLACK EPOXY E-COAT,  
 CABLE: YELLOW, #16 AWG, PVC JACKET,  
 PVC CONDUCTOR INSULATION OVER  
 65 X 34 COPPER STRANDING,  
 UL STOOW CSA ST  
 CABLE DIAMETER: 5P - .50" (12.7mm)

**ELECTRICAL**

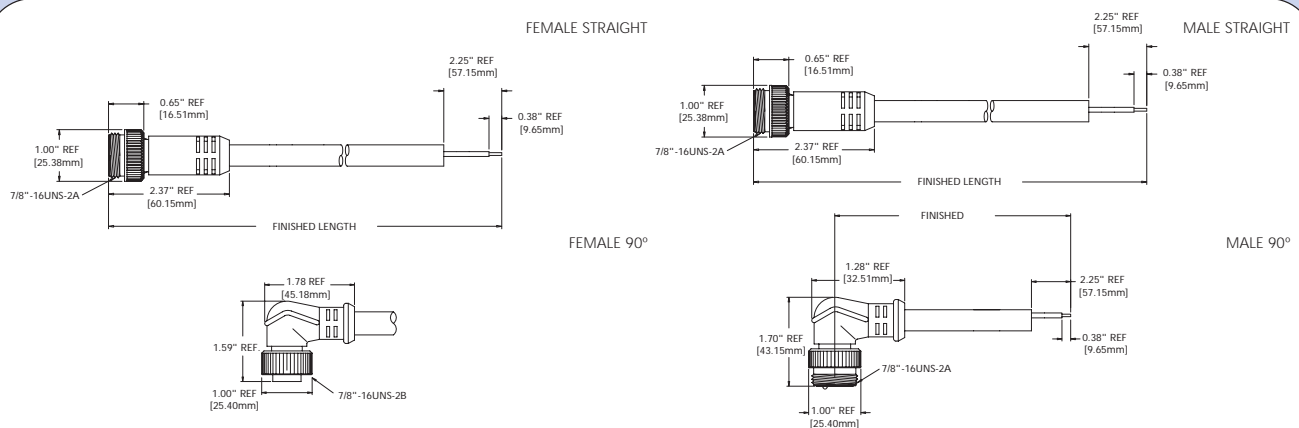
VOLTAGE RATING: 600V AC/DC  
 AMPERAGE: 8 A  
 ENVIRONMENTAL PROTECTION: IP68, NEMA 6P  
 AMBIENT OPERATING TEMP: -4° TO 221° F (-20° TO 105° C)

**CERTIFICATIONS**

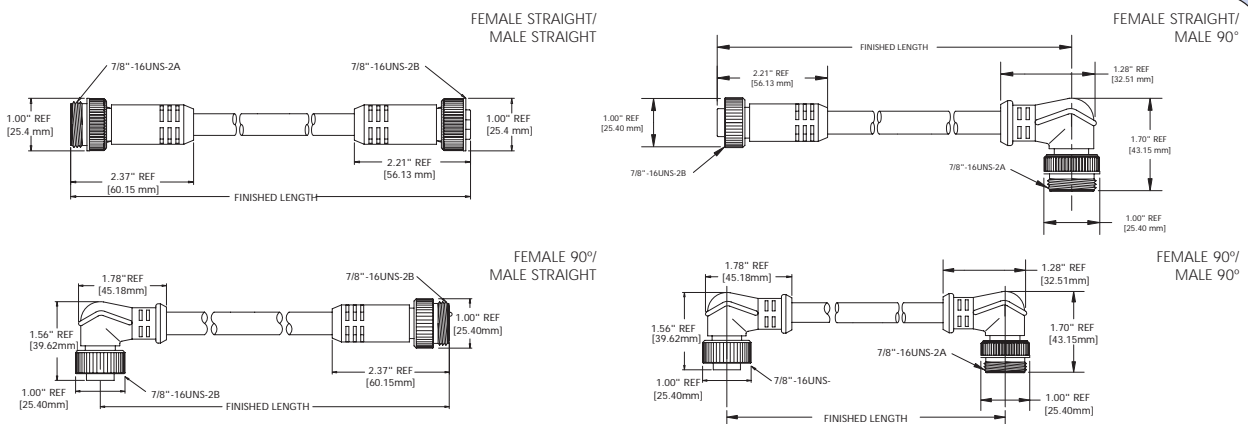
UL: UL RECOGNIZED, FILE NO. E46237  
 CSA: CSA CERTIFIED, FILE NO. LR6837

**DIMENSIONS**

Single-ended Cordsets



Double-ended Cordsets



For product & technical information visit [www.woodhead.com/eCatalog](http://www.woodhead.com/eCatalog)