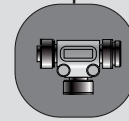


Power Tee

- 5-pole Mini-Change® Power Tee male to female/female

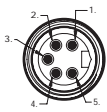
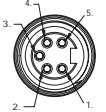
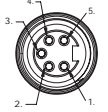


The BradConnectivity™ Power Tee allows you to connect power to remote active I/O modules or remote panels. The tee is installed in-line with the power trunk at a point where power is required on the network. Power is then tapped for the drop connection to the device requiring power. The quick connect design provides quick field installation capability.



- Phosphor bronze contacts for high reliability
- Can be connected directly to a Brad Harrison Profibus I/O module.
- Allows you to drop power from the main power trunk.

Power Tees

LEFT MALE FACE VIEW		RIGHT FEMALE FACE VIEW		DROP FEMALE CONNECTOR FACE VIEW	
COLOR CODE	1- OUTPUT POWER V- 2- BUS/INPUT POWER V- 3- EARTH GROUND		4- BUS/INPUT POWER V+ 5- OUTPUT POWER V+		
FIGURE	POWER TEE				
1 AND 2	PBAPT				

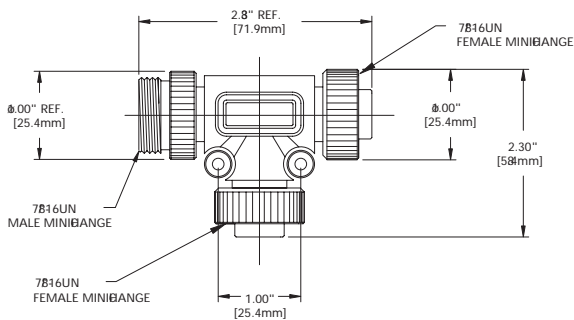
MECHANICAL
 CONNECTOR FACE: THERMO PLASTIC ELASTOMER
 MOLDED BODY: THERMO PLASTIC ELASTOMER
 COUPLING NUT: ZINC DIE CAST, BLACK E-COAT

ELECTRICAL
 VOLTAGE RATING: 600V
 AMPERAGE: 8A
 CONTACT MATERIAL: PHOSPHUR BRONZE ALLOY
 CONTACT PLATING: GOLD OVER NICKEL

ENVIRONMENTAL
 PROTECTION: IP67
 AMBIENT OPERATING TEMP: -4° TO 176° F (-20° TO 80° C)

TEE DIMENSIONS

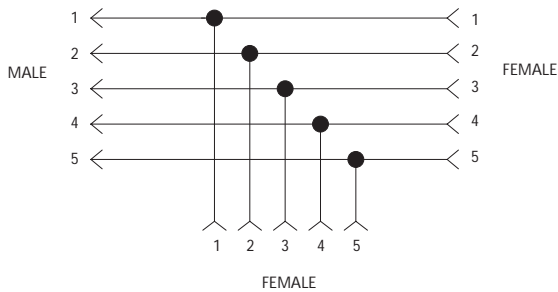
Tee



FC1

SCHEMATIC

Power Tee



FC2

For product & technical information visit www.woodhead.com/eCatalog