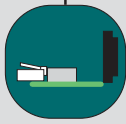


Bulkhead Pass-thru Receptacle

Industrial Ethernet

RJ45 Threaded



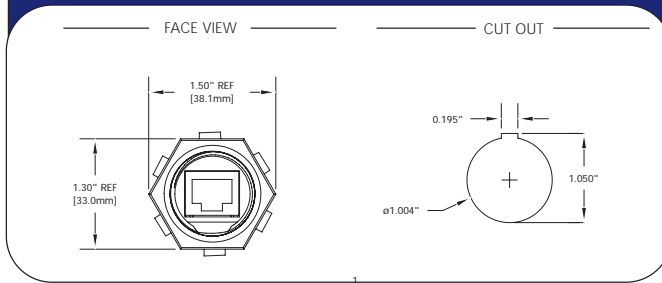
- Easy Method for bringing an Ethernet connection in from a harsh environment to an industrial enclosure
- Category 5e compliant
- Achieves IEC IP67 rated seal when mated with an RJ-Lnxx cordset – but also compatible with RJ-45 patch cords

Ethernet devices such as PLCs, I/O and even DIN rail mount switches are becoming prevalent items within industrial enclosures, but a problem exists when the Ethernet connection has to leave the enclosure to connect to devices on the factory floor. Use of the RJ-Lnxx® bulkhead pass-thru overcomes this issue by providing a sealed, robust connection on the outside of the cabinet and then a commercial grade patch cord for connection within the cabinet. These pass-thrus can be ordered with a RJ45 or RJ11 jack for connection of any length patch cord for the internal enclosure connection or with 12" of patch cord directly attached.



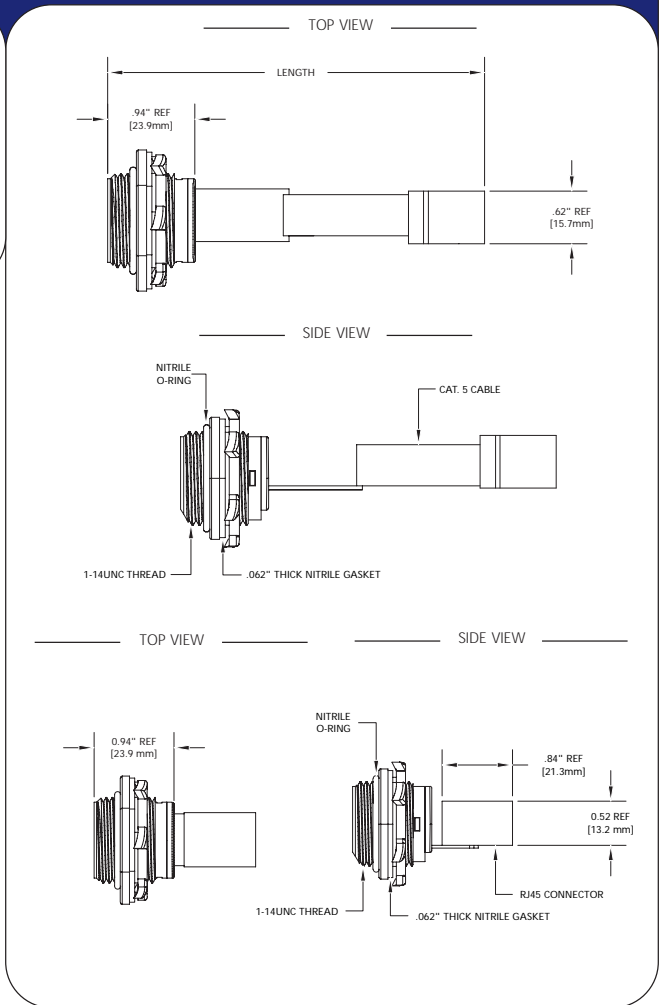
Specifications

RECEPTACLE DIMENSIONS



- O-RING MATERIAL: VITON
 INSERT MATERIAL: ACRYLONITRILE-BUTADIENE-STYRENE (ABS)
 OVERMOLD MATERIAL: POLYURETHANE
 COUPLING NUT MATERIAL: ACRYLONITRILE-BUTADIENE-STYRENE (ABS)
 SHELL MATERIAL: ACRYLONITRILE-BUTADIENE-STYRENE (ABS)
 KNOCKOUT HOLE: 1.063
 THREAD SIZE: UNC 1" - 14"
 PANEL THICKNESS: .125" MAXIMUM WITH GASKET, .187" MAXIMUM WITHOUT GASKET, .062" MINIMUM
- OPERATING TEMPERATURE: -20° TO 80° C
 RETURN LOSS: 5 dB @ 100 MHz
 ENVIRONMENTAL RATING: IEC IP67
 TIA/EIA RATING: CATEGORY 5e
- RJ-45 JACK**
 PLATING: 50 MICRONS OF GOLD OVER 100 MICRONS OF NICKEL
 CURRENT RATING: 1.5 A
 VOLTAGE RATING: 125V DC
- RJ-11 JACK**
 PLATING: 50 MICRON OF GOLD OVER 100 MICRONS OF NICKEL
 CURRENT RATING: 1.5 A
 VOLTAGE RATING: 125V DC

PART NUMBER	DESCRIPTION
ENSP1F5	RJ-45 BULKHEAD PASS-THRU RECEPTACLES W/ BACKSIDE JACK
ENSP1F5C305	RJ-45 BULKHEAD PASS-THRU RECEPTACLES W/12" MALE RJ-45 PATCH CORD
ENSP6F5	RJ-11 BULKHEAD PASS-THRU RECEPTACLES W/ BACKSIDE JACK



For product & technical information visit www.woodhead.com/eCatalog