

Receptacle Closure Cap

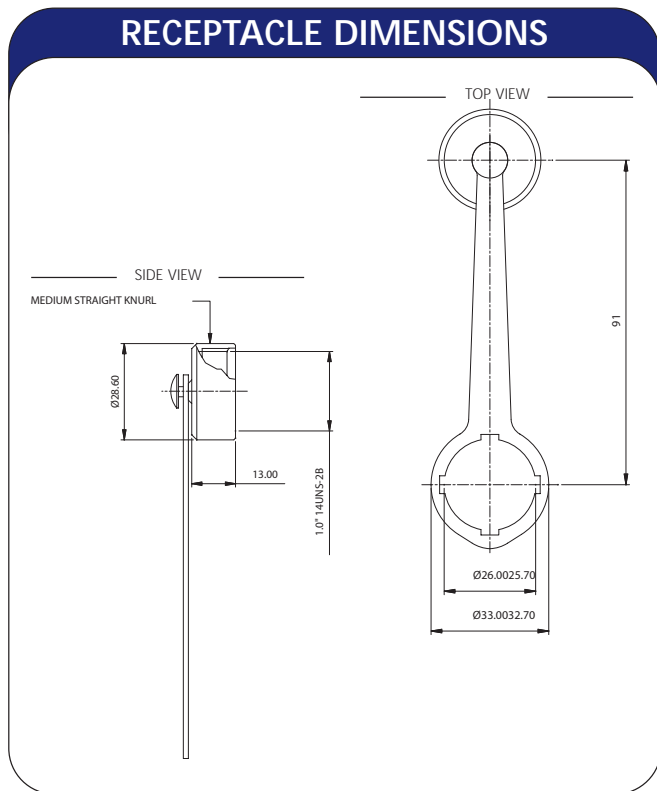


- Attaches to RJ-Lnxx receptacles to provide an IEC IP65 rated seal for instances when a cordset is not mated



Factory floor Ethernet devices are used in a variety of ways, many of which do not require the physical connection to be continually maintained (ex: a programming port on an industrial cabinet). In these instances, use of a RJ-Lnxx® closure cap enables an IP65 rated seal to be maintained on the receptacle, keeping out contaminants like dirt, oil and water which could foul the connection when the cordset is reattached.

Specifications



MATERIAL: PROTECTIVE CAP: PA6 NYLON GF (UV STABILIZED)
 LANYARD: EPDM RUBBER

THREAD SIZE: UNC 1" - 14

OPERATING TEMPERATURE: -20° TO 80° C

ENVIRONMENTAL RATING: IEC IP65 (65-0300), IEC IP67 (67-0300)

PART NUMBER	DESCRIPTION
65-0300	IP65 RATED RECEPTACLE CLOSURE CAP
67-0300	IP67 RECEPTACLE CLOSURE CAP WITH LANYARD