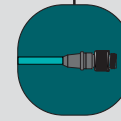


Single-Ended Cordsets

- Threaded Micro-Change® (M12) Cordsets

Shielded and unshielded single-ended overmolded cordsets are available for connecting Micro-Change (M12) Ethernet system components in harsh industrial environments. Single-ended cordsets allow cable lengths to be customized during installation, and can be terminated with either standard RJ45 or industrial field attachable M12 connectors. Utilizing the proven M12 form factor provides rugged, vibration and shock-resistant IP67 connection in a small, familiar profile.



- Familiar, proven M12 form factor provides robust connection
- Category 5e compliant
- IP67 rated, perfect for harsh industrial environments
- D-Coded to ensure proper alignment/mating



Single-Ended Cordsets

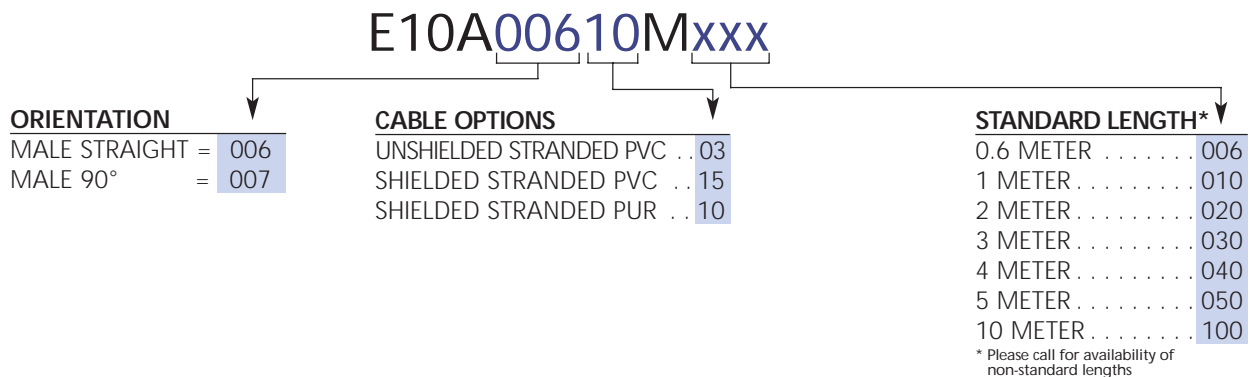
FACE VIEWS (STRAIGHT WIRED)	MALE		
	PINOUT/ COLOR CODE	CABLE CODE 03 & 15: 1- ORANGE (TD+) 2- BLUE (RD+) 3- ORANGE/WHITE (TD-) 4- BLUE/WHITE (RD-)	CABLE CODE 10: 1- YELLOW (TD+) 2- WHITE (RD+) 3- ORANGE (TD-) 4- BLUE (RD-)

MALE	FIG	CORDSETS WITH UNSHIELDED PVC CABLE	DESCRIPTION
STRAIGHT	1	E10A00603Mxxx	STRAIGHT-WIRED
90°	2	E10A00703Mxxx	STRAIGHT-WIRED
MALE	FIG	CORDSETS WITH SHIELDED PVC CABLE	DESCRIPTION
STRAIGHT	1	E10A00615Mxxx	STRAIGHT-WIRED
90°	2	E10A00715Mxxx	STRAIGHT-WIRED
MALE	FIG	CORDSETS WITH SHIELDED PUR CABLE*	DESCRIPTION
STRAIGHT	1	E10A00610Mxxx	STRAIGHT-WIRED
90°	2	E10A00710Mxxx	STRAIGHT-WIRED

CATALOG OPTIONS

*PROFINET compliant

Use the following chart to modify your part's specifications.



	UNSHIELDED PVC	SHIELDED PVC	SHIELDED PUR
MECHANICAL			
CONNECTOR FACE:		PUR	
MOLDED BODY:		PUR (BLACK)	
COUPLING NUT:		NICKEL-PLATED BRASS	
CABLE			
CONDUCTORS:	4 / 24AWG STRANDED TINNED WIRE	4 / 24AWG STRANDED TINNED WIRE	4 / 22AWG STRANDED TINNED WIRE
OUTSIDE DIAMETER (NOM):	5.6mm	6.1mm	6.5mm
JACKET MATERIAL:	PVC (TEAL)	PVC (TEAL)	PUR (GREEN)
INNER MATERIAL INSULATION:	HDPE	FOAMED POLYPROPYLENE	FRNC
SHIELD TYPE:	N/A	FOIL SHIELD, 100% COVERAGE, 25% MIN OVERLAP	FOIL SHIELD: 100% COVERAGE BRAID SHIELD: 85% COVERAGE
CERTIFICATION:	UL CMR (PENDING)	UL CMR (PENDING)	UL LISTED CMX
ELECTRICAL			
TIA/EIA RATING:		CAT5E	
UL:		CL2	
ENVIRONMENTAL			
PROTECTION:	IP67. SUN/OIL RESISTANT (PENDING)	IP67. SUN/OIL RESISTANT (PENDING)	IP67. SUN/OIL RESISTANT
OPERATING TEMPERATURE:		-20°C TO 75°C	

