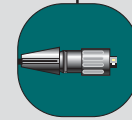


Field-Attachable Connectors

- Threaded Micro-Change® (M12) Connectors

Micro-Change field attachable connectors allow you to make field connections to bulk cable or single-ended cordsets. IDC connections allow for simplified field installation of the data line cable which can then be connected to an enclosure or device.



- Fast field termination without special tooling
- D-Coded to ensure proper alignment/mating



Field-Attachable Connectors

| FACE VIEWS | MALE | FEMALE |
|-----------------------|------------------------------------|---------------------------------|
| PINOUT/ COLOR CODE | 1- YELLOW (TD+) 3- ORANGE (TD-) | 2- WHITE (RD+) 4- BLUE (RD-) |
| | FIG | PART NUMBER |
| | MALE 1 | E1AS06-52 |
| | FEMALE 2 | E1AS00-52 |

Specifications

MECHANICAL

COUPLING NUT: ZINC DIE-CAST
SHELL MATERIAL: ZINC DIE-CAST
CONTACTS: GOLD-PLATED PALLADIUM NICKEL

CABLE

22-24AWG
0.25-0.34mm²
CONDUCTOR INSULATION: PVC
CONDUCTOR DIAMETER: 1.6 - 2mm
CONDUCTOR CROSS-SECTION: 1.6 - 2mm
CABLE DIAMETER: 5.5 - 7.2mm

ELECTRICAL

VOLTAGE RATING: 32V
AMPERAGE RATING: 4A

ENVIRONMENTAL

PROTECTION: IP67
OPERATING TEMPERATURE: -25°C TO 85°C

CONNECTOR DIMENSIONS

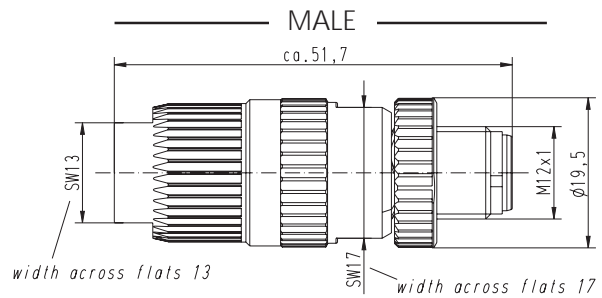


FIG 1

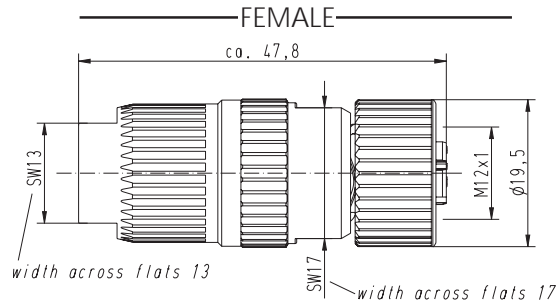


FIG 2