

BRAD HARRISON® FIELD ATTACHABLE IDC CONNECTORS



FEATURES:

- Simple IDC Connections
- Variety of m8 and m12 Connection Styles
- Metal Housings

BENEFITS:

- 50% Faster Than Screw or Solder Terminations
- Allow Installations in a Variety of Settings and Applications
- Rugged Design for Maximum Reliability in Industrial Environments

INDUSTRY:

- Automotive
- Packaging
- Food and Beverage

APPLICATIONS:

- Any Quick-Disconnect Appli

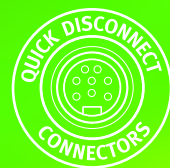
Enjoy IDC field connectivity with a twist!

That is, simplified, virtually tool-less installations are the latest design innovation in Micro-Change® and Nano-Change® IDC field attachable connectors.

Once you've stripped your wires, these rugged connectors are ready to go. A simple twist of the components and you are done. With that simple action, you have created a secure, watertight connection. Moreover, when compared to others' screw and solder terminal designs, your connection is complete in half the time, slashing your initial commissioning time and allowing you to make that emergency installation on the fly.

This new twist on IDC connectors retains the features that make them reliable, including heavy-duty metal-to-metal threads – further enhancing industrial integrity – and a watertight IP 67 industrial rating.

Distribución: **ER-SOFT, S.A.** Email: er@er-soft.com, Tel: +34 916 408 408



BRAD HARRISON

from Woodhead Connectiv

SPECIFICATIONS

MECHANICAL

Connector Face: Polyamide
Threads/Grommet: Nickel-Plated Brass
Contacts: Tin-Plated Nickel; Copper-Alloy Brass Pins
Coupling Nut: Nickel-Plated Brass
Conductor Diameter: 0.047" to 0.063"
Cable Jacket: PVC, PE, PUR
Individual Strand Diameter: 38 to 40 AWG
Overall Cable Diameter: 0.157" to 0.200" O.D.
Wire Gauge: 22-28 AWG

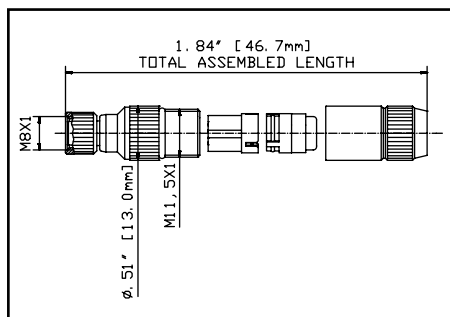
ELECTRICAL

Voltage Rating: 32VDC
Amperage: 3A

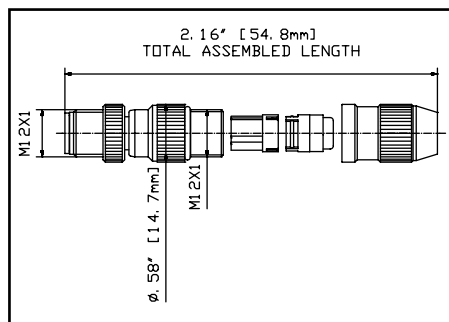
ENVIRONMENTAL

Protection: IP 67
Ambient Operating Temperature Range:
 -58°F to +122°F (-50°C to +50°C)

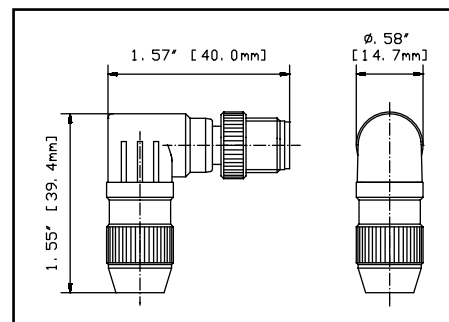
SCHEMATICS



m8 Straight



m12 Straight



m12 90°

ORDERING INFORMATION

M8 NANO-CHANGE®

Part Number	Description
No3MA03144	3-Pole Male Straight
No3FA03144	3-Pole Female Straight
No4MA03144	4-Pole Male Straight
No4FA03144	4-Pole Female Straight

M12 MICRO-CHANGE®

Part Number	Description
Fo4MA03144	4-Pole Male Straight
Fo4FA03144	4-Pole Female Straight
Fo4MA04144	4-Pole Male 90°
Fo4FA04144	4-Pole Female 90°

W Woodhead Connectivity

applicom® Brad Harrison® mPm® NetAlert® RJ Lnx® SST®

THE GLOBAL LEADER IN INDUSTRIAL COMMUNICATIONS AND CONNECTIVITY

www.connector.com

United States

Woodhead L.P.
 3411 Woodhead Drive
 Northbrook, IL 60062
 Tel. 847-272-7990
 Fax. 847-272-8133

Canada

Woodhead Canada Limited
 1090 Brevik Place
 Mississauga, Ontario L4W 3Y5
 Tel. 905-624-6518
 Fax. 905-624-9151

Mexico

Woodhead De Mexico
 Parque Industrial
 Internacional Mexicano
 Calle Intermex No. 1351
 Cd. Juarez, Chih. 32340
 Tel. 52-1624-2504
 Fax. 52-1624-4029

United Kingdom

Woodhead Connectivity Limited
 Factory No. 9
 Rassau Industrial Estate
 Ebbw Vale, Gwent, Wales
 U.K. NP23 5SD
 Tel. 44-1495-350436
 Fax. 44-1495-350877

France

Woodhead Connectivity S.A.
 57, Rue Jacquard Z.I.
 77400 Lagny Sur Marne
 France
 Tel. 33-1-6430-9136
 Fax. 33-1-6430-9105

Germany

Woodhead Connectivity GmbH
 Gewerbestraße 60
 75015 Bretten-Gölshausen
 Germany
 Tel. 49-7252-9496-0
 Fax. 49-7252-9496-99

Italy

mPm S.r.l.
 Via Zucchi, 39 int. G
 20095 Cusano Milanino (MI)
 Tel. 39-02-66400321
 Fax. 39-02-66400334

Singapore

Woodhead Asia Pte. Ltd.
 8 Chia Ping Road #05-09/10
 JTC Flatted Factory
 Jorung Town 619973
 Tel. 65-261-6533
 Fax. 65-265-6605

Japan

Woodhead Japan Corporation
 Landmark Tower, Unit 4309
 Yokohama
 2-2-1 Minato Mirai, Nishi-ku
 Yokohama-shi Kanagawa-kerr
 Japan Postal Code 220-8143
 Tel. 81-4-5224-3560
 X. 81-4-5224-3561