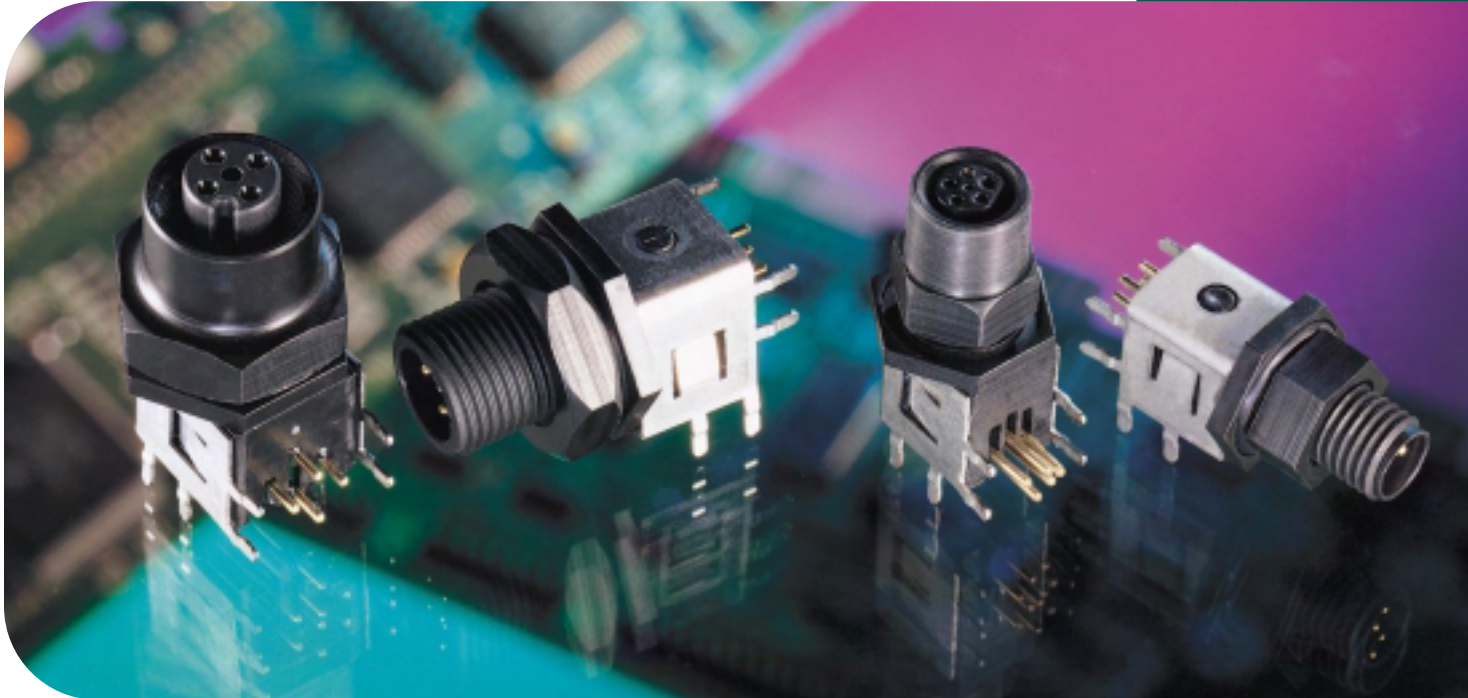


BRAD HARRISON® MICRO-CHANGE® AND NANO-CHANGE® PRINTED CIRCUIT BOARD-MOUNT RECEPTACLES



FEATURES:

- **Smallest Footprint on the Market**
- **Automated PCB Manufacturing Compatible**
- **Large Selection of Straight and 90° Configurations**
- **Industrial Grade NEMA 6 Integrity**

BENEFITS:

- **Saves Valuable PCB Space**
- **Saves Assembly Line Time, No Need for Additional Mounting Step**
- **Allows for More Compact Device Designs**
- **Allows Harsh Environment Usage**

INDUSTRIES:

- **Sensor Manufacturers**
- **Process Control Component Manufacturers**
- **Instrumentation Manufacturers**

The most compact PCB receptacle family ever developed is now available to you from the innovative leader in connectivity. The Brad Harrison® PCB mountable Micro-Change® and Nano-Change® receptacle allows you to integrate small footprint cost-effective quick-disconnect features into your product design.

These male and female receptacles, available in both straight and 90° configurations, snap and solder onto your PC board with the help of an integral metal bracket. This makes them compatible with automated PCB manufacturing techniques. Yet, the innovations hardly stop there. The Brad Harrison PCB mountable receptacle line is industrial rated to keep the integrity of the enclosure to NEMA 6 and the connection itself to IP 68 & NEMA 6P.

As the working area on PC boards diminishes to accommodate the demand for smaller devices, PC boards have to handle more tasks and perform them faster. You need connectivity alternatives that address this trend. Micro-Change and Nano-Change PCB receptacles free up more space on your boards, making it easier for you to create your next innovation in miniature, industrial electronics.

Micro-Change® Single Keyway (M12) PCB Receptacles

Specifications

Mechanical

Body Material (Color): Nylon (Black)
 Coupling/Lock Nut Material (Color) : Delrin (Black)
 O-Ring: Viton
 Support Bracket: CRS, Tin/Lead Coated
 Mounting Panel Thickness: 0.039 to 0.070"
 PC Board Thickness: 0.047 to 0.062"

Electrical

Voltage Rating: 250V AC/CD
 Amperage: 4A

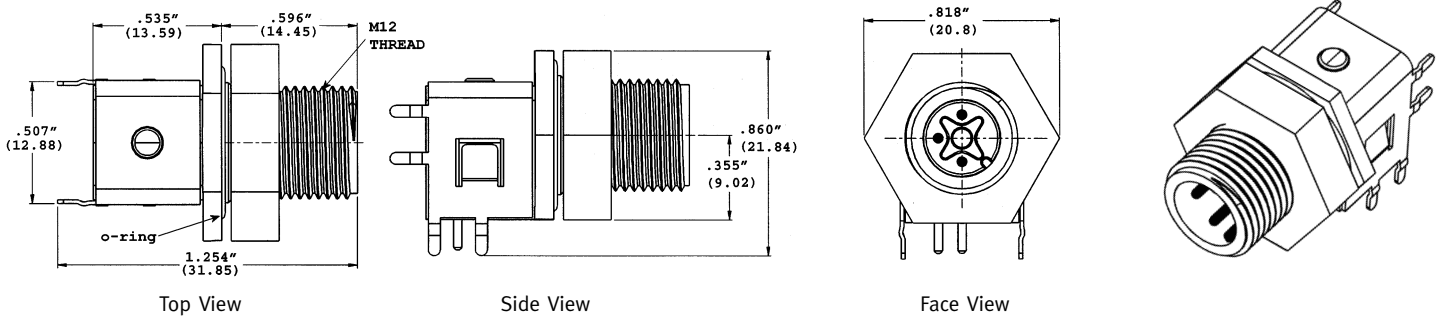
Environmental

Connector: IP 68, NEMA 6P
 Enclosure: NEMA 6 to panel
 Ambient Temperature Rating: -40°F to +221°F (-40°C to +105°C)

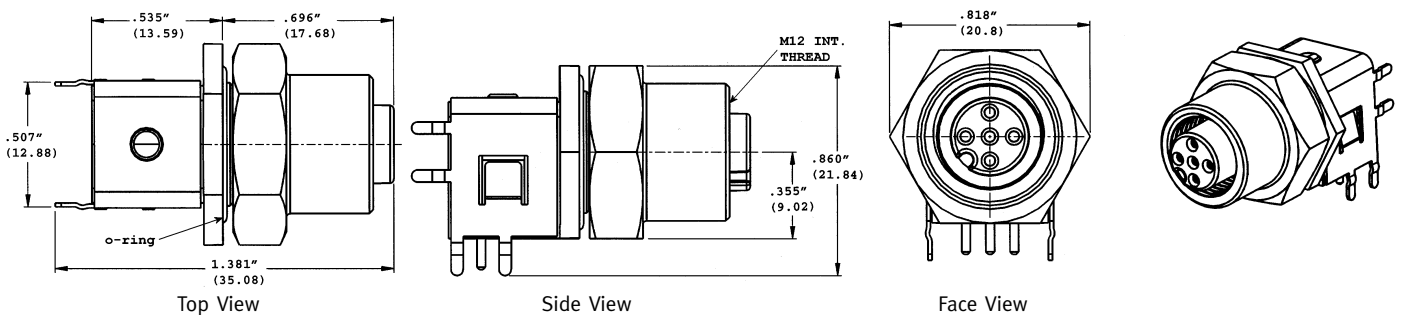


Dimensions

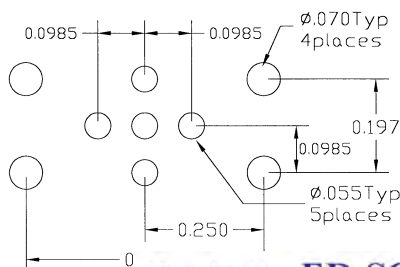
Male Dimensions



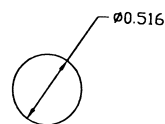
Female Dimensions



Micro-Change Board Layout



Panel Cutout Schematic



Nano-Change® (M8) PCB Receptacles

Specifications

Mechanical

Body Material (Color): Nylon (Black)
 Coupling/Lock Nut Material (Color): Delrin (Black)
 O-Ring: Viton
 Support Bracket: CRS, Tin/Lead Coated
 Mounting Panel Thickness: 0.039" to 0.070"
 PC Board Thickness: 0.047" to 0.062"

Electrical

Voltage Rating: 60V AC/75VDC
 Amperage: 3 & 4-Pole: 4A; 5-Pole: 3A

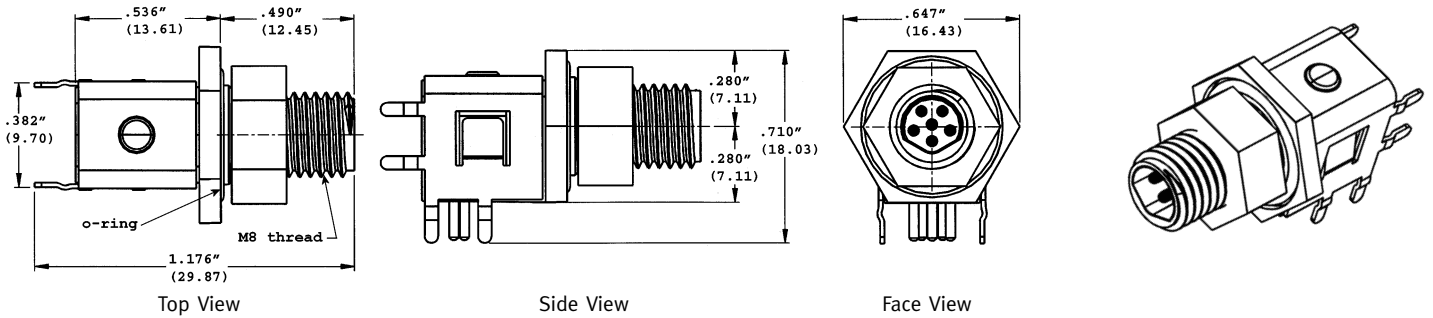
Environmental

Connector: IP 68, NEMA 6P
 Enclosure: NEMA 6 to Panel
 Ambient Temperature Rating: -40°F to +221°F (-40°C to +105°C)

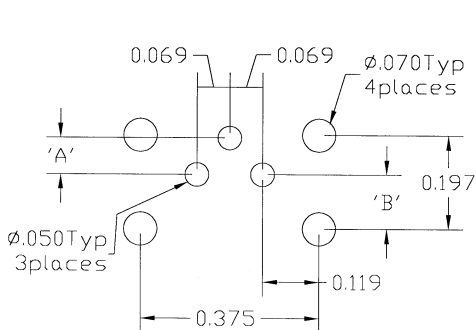


Dimensions

Male Dimensions

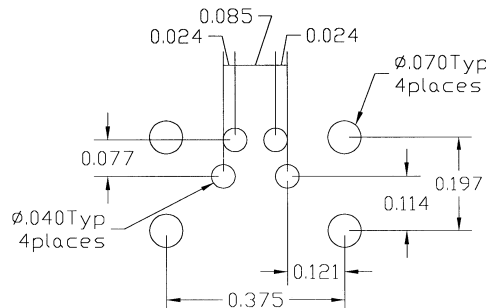


Nano-Change Board Layouts (Dimensions in inches)



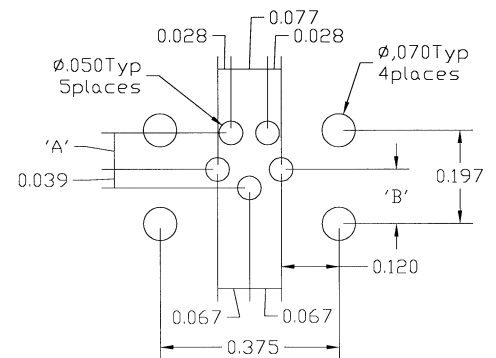
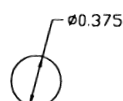
3-Pole Board Layout

	A	B
90°	.077	.114
STRAIGHT	.069	.136



4-Pole Board Layout

Panel Cutout Schematic

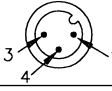
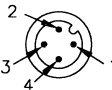
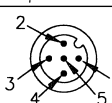


5-Pole Board Layout

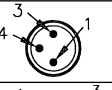
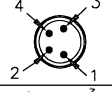

	A	B
90°	.077	.114
STRAIGHT	.071	.120

Ordering Information

Micro-Change® Single Keyway (M12) PCB Receptacles

NUMBER OF POLES	MALE FACE VIEW	MALE		FEMALE	
		STRAIGHT	90 DEGREE	STRAIGHT	90 DEGREE
3-POLE		8R3L560005-35	8R3L570005-35	8R3L500005-35	8R3L510005-35
4-POLE		8R4L560005-35	8R4L570005-35	8R4L500005-35	8R4L510005-35
5-POLE		8R5L560005-35	8R5L570005-35	8R5L500005-35	8R5L510005-35

Nano-Change® (M8) PCB Receptacles

NUMBER OF POLES	MALE FACE VIEW	MALE	
		STRAIGHT	90 DEGREE
3-POLE		4R3F560005-35	4R3F570005-35
4-POLE		4R4F560005-35	4R4F570005-35
5-POLE		4R5F560005-35	4R5F570005-35

Note: product sold in trays with 35 connectors per tray. To order individual items for samples or prototypes, omit the suffix '-35' from part number. **Example:** 2 ea 4R3F560005 equals 2 connectors; 2 ea 4R3F56000-35 equals 70 connectors

W Woodhead Connectivity

SST™ ▪ Brad Harrison™ ▪ mPm™ ▪ RJ Lnnx™
 THE GLOBAL LEADER IN INDUSTRIAL COMMUNICATIONS AND CONNECTIVITY
www.connector.com

United States

Woodhead L.P.
 3411 Woodhead Drive
 Northbrook, IL 60062
 Tel. 847-272-7990
 Fax. 847-272-8133

Canada

Woodhead Canada Limited
 1090 Brevik Place
 Mississauga, Ontario L4W 3Y5
 Tel. 905-624-6518
 Fax. 905-624-9151

Mexico

Woodhead De Mexico
 Parque Industrial
 Internacional Mexicano
 Calle Intermex No. 1351
 Cd. Juarez, Chih.32340
 Tel. 52-1624-2504
 Fax. 52-1624-4029

United Kingdom

Woodhead Connectivity Limited
 Factory No. 9
 Rassau Industrial Estate
 Ebbw Vale, Gwent, Wales
 U.K. NP23 5SD
 Tel. 44-1495-350436
 Fax. 44-1495-350877

France

Woodhead Connectivity S.A.
 57, Rue Jacquard Z.I.
 77400 Lagny Sur Marne
 France
 Tel. 33-1-6430-9136
 Fax. 33-1-6430-9105

Germany

Woodhead Connectivity GmbH
 Gewerbestraße 60
 75015 Bretten-Gölshausen
 Germany
 Tel. 49-7252-9496-0
 Fax. 49-7252-9496-99

Italy

mPm S.r.l.
 Via Zucchi, 39 int. G
 20095 Cusano Milanino (MI)
 Tel. 39-02-66400321
 Fax. 39-02-66400334

Singapore

Woodhead Asia Pte. Ltd.
 8 Chia Ping Road #05-09/10
 JTC Flatted Factory
 Jorung Town 619973
 Tel. 65-261-6533
 Fax. 65-265-6605

Japan

Woodhead Japan Corporation
 Landmark Tower, Unit 4309
 Yokohama
 2-2-1 Minato Mirai, Nishi-ku
 Yokohama-shi Kanagawa-kerr
 Japan Postal Code 220-8143
 Tel. 81-4-5224-3560
 Fax. 81-4-5224-3561

© 2000 Woodhead L.P. DW20002/EG-GWP 10M
 Brad Harrison and Micro-Change are registered trademarks of Woodhead Industries, Inc.