



14 Dec. 04

Woodhead GATEway is configurable stand-alone smart Ethernet TCP/IP, Profibus and Serial gateway that allows based controllers to communicate and to interoperate simultaneously with each other.

Features

- Manages simultaneously up to:
 - ✓ 10 Industrial Ethernet TCP/IP protocols (running both Client and Server modes)
 - ✓ 4 Profibus protocols Client and Master/Slave modes
 - ✓ 6 Serial protocols Master and Slave
- No programming, just configuring. Doesn't require protocol knowledge
- Real-Time data exchange through internal data base (**32 Kbits + 32 Kwords**)
- Typical architectures: Data translator, Data concentrator, Industrial firewall
- Supports unsolicited data exchange from Client devices
- Up to 128 PLCs on Ethernet TCP and 126 Profibus devices
- Powerful graphical tools to diagnose Network, Devices and Process Data
- Desktop or DIN Rail mounting
- Automatic detection of Profibus-DP devices
- Upload/Download configuration and diagnostic through Remote TCP/IP

Typical applications

- Industrial Networking Solutions
 - Open SCADA connectivity
 - Integration of different networks/manufacturers
 - Integration of legacy devices into new Ethernet or Profibus architectures
- Machine Tool Industry
 - Simple adaptation of Serial device
 - Easy access to different PLC systems by using just one hardware platform
- Building Automation
 - Multiple gateways for Alarm Center application
 - Integration of legacy devices
- ...

GATEway

Ethernet ↔ Ethernet / Serial
Profibus ↔ Ethernet / Serial

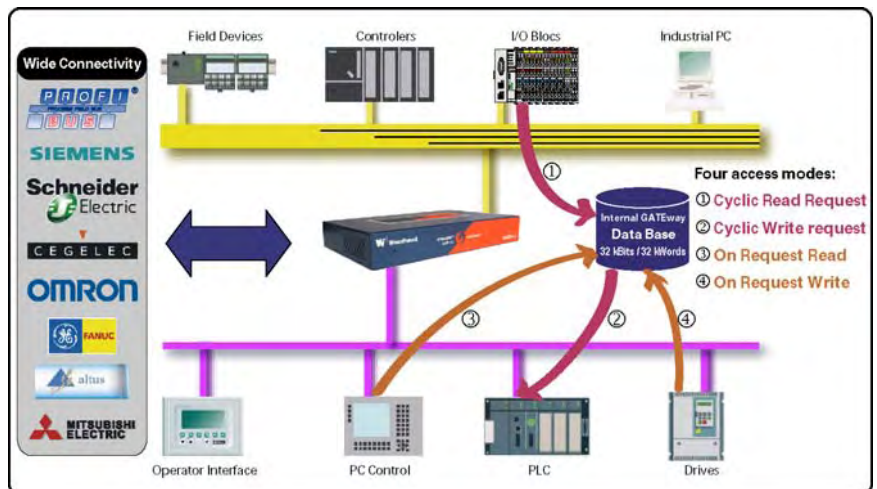


Woodhead GATEway is more than a standard tunnelling gateway! It is the first hardware platform that allows **simultaneous communication** between industrial devices (PLC, SCADA etc.) using **up to 20 different Ethernet, Profibus and Serial protocols**.

Open on the major industrial manufacturer vendors, the Woodhead GATEway supports multi-messaging that enables it to communicate and interoperate as the following modes simultaneously:

- ✓ **Multi Ethernet TCP/IP ↔ Multi Ethernet TCP/IP** (same and different protocols)
 - for example: Siemens S7 TCP ↔ Schneider Uni-TE TCP Premium
 - Omron FINS TCP ↔ Modbus TCP
 - Siemens S5 TCP ↔ GE SRTCP TCP
- ✓ **Multi Profibus ↔ Multi Profibus** (same and different protocols)
 - for example: Profibus Siemens S7 ↔ Profibus Siemens S5
 - Profibus DPV0 Master ↔ Profibus Siemens S7
 - Profibus DPV0 Slave ↔ Profibus DPV0 Slave
- ✓ **Multi Profibus ↔ Multi Ethernet TCP/IP** (same and different protocols)
 - for example: Profibus Siemens S7 ↔ Schneider Uni-TE TCP Premium
 - Profibus DPV0 Master ↔ Modbus TCP
 - Profibus Siemens S5 ↔ GE SRTCP TCP
- ✓ **Multi Profibus ↔ Mono Serial networks**
 - for example: Siemens S5 TCP ↔ Serial Modbus Slave ASCII
 - Siemens S7 TCP ↔ Serial GE SNP-X Master
- ✓ **Multi Ethernet TCP/IP ↔ Mono Serial networks**
 - for example: Siemens S5 TCP ↔ Serial Modbus Slave ASCII
 - Siemens S7 TCP ↔ Serial GE SNP-X Master
- ✓ **Serial ↔ Serial network** (same protocol)
 - for example: Serial Modbus Slave ↔ Serial Modbus Slave

The Woodhead GATEway embeds a powerful processor running a real-time OS kernel. Through its on-board Database (**32 Kbits / 32 Kwords**), the GATEway performs all communication tasks to exchange data between equipment by running automatic Read/Write cyclic functions and allows the receiving of unsolicited Read/Write requests. The R/W cyclic functions can also be activated by the use of the writing associated flags.



The Woodhead GATEway includes a software package running under Windows XP or 2000 environments enabling the GATEway to be setup using a remote TCP connection. The package includes a set of powerful tools to perform features such as:

- ✓ Ethernet, Profibus and Serial protocols configuration
- ✓ Cyclic functions setup and monitoring
- ✓ Graphical Network Diagnostic tools for Ethernet and Profibus
- ✓ Process data access utilities
- ✓ Help/Download of GATEway software and documentation

applicom

Distribución: ER-SOFT, S.A. Email: er@er-soft.com, Tel: +34 916 408 408

Multi-Networks GATEway



Protocols supported

Ethernet TCP/IP – Client and Server modes

- **Altus** - Alnet II (webgate & AL2000 series)
- **Alstom** - SRTP (Alspa C80-35 & C80-75)
- **GE Fanuc** - SRTP (GE90-30 & 90-70)
- **Mitsubishi** - Melsec (AnA, AnU, AnS, QnA, QnAS)
- **Omron** - Fins (Sysmac C, CV and CS1)
- **Schneider** - Open Modbus (TCP and UDP)
- **Schneider** - Uni-TE (Premium, Micro)
- **Siemens** - Industrial Ethernet (S7-200/300/400, S5, TI-505)

Serial

- **GE Fanuc** - SNP-X Master (GE90-30/70)
- **Schneider** - Modbus Master (ASCII & RTU)
- **Schneider** - Modbus Slave (ASCII & RTU)
- **Schneider** - Uni-Telway Slave Client/Server (TSX/PMX)
- **Siemens** - AS511 Master (S5 console outlet)
- **Siemens** - TI-Dir Master (TI-505 console outlet)

Profibus

- **Siemens** – S7/MPI Client
- **Siemens** – S5 Client
- **EN50170** – DPV0 Master/Slave Class 1 & 2

(1) Up to 128 PLCs on Ethernet TCP

(2) Up to 126 Profibus devices

Hardware Specifications

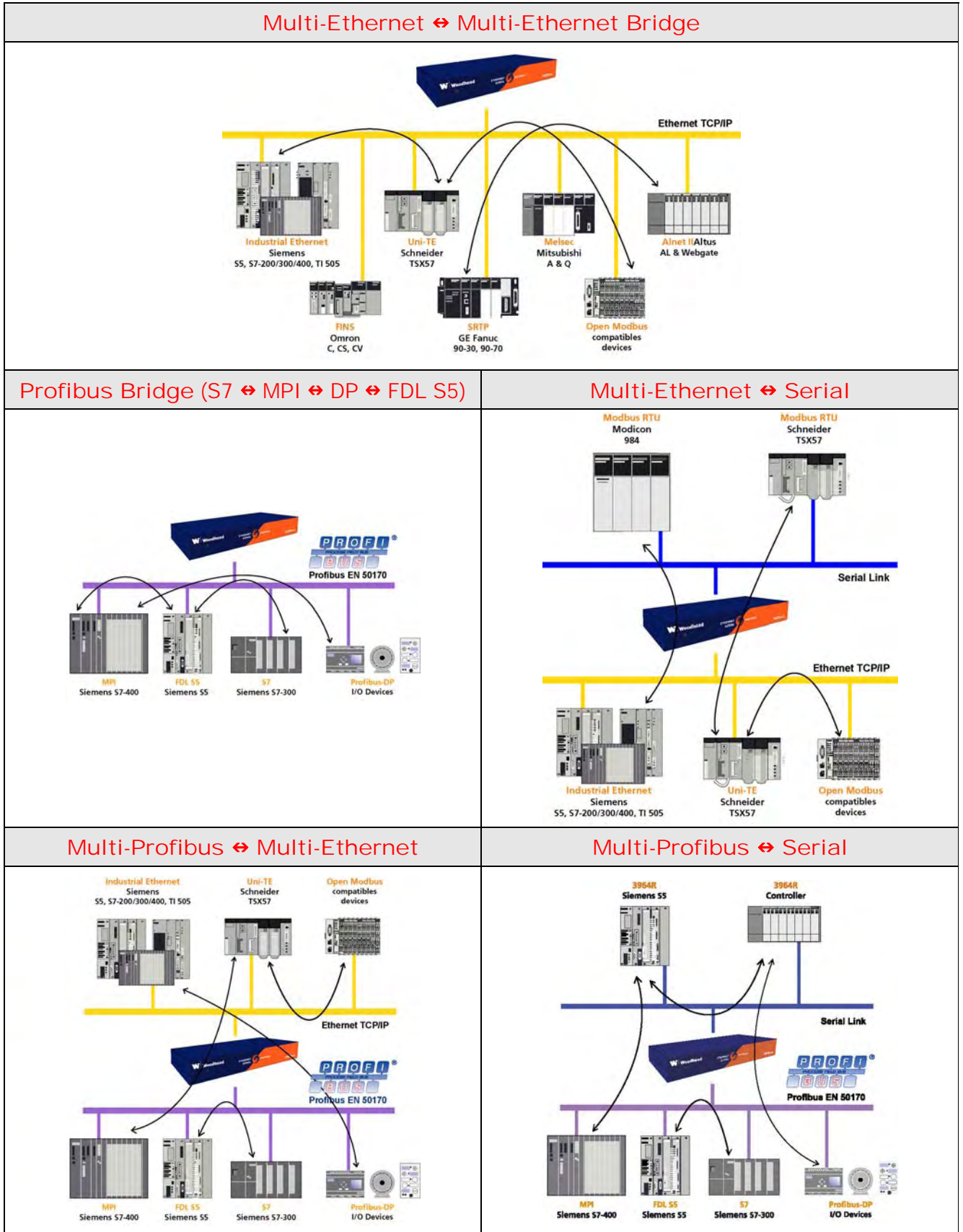
| Physical characteristics | |
|---|---|
| Processor 32bit | ST Micro STPC Vega (equivalent to Pentium 200 Mhz within co-processor) |
| RAM | 32 Mbytes |
| Flash Disk | 32 Mbytes |
| Operating Voltage | +24V DC (+/- 20%) provided by external power supply (not included) Connector: Plug screw terminal 2 way |
| Consumption | 12W |
| Ingress Protection | IP20, IP30 if RJ11 and RJ45 connected |
| Indicator (LED) | Front panel: 1 Mono-Color Yellow: Power on Rear panel: 2 Mono-color: Ethernet 10/100, Tx/Rx and Link |
| Weight | 950g |
| Temperature | Operating: 0°C to +50°C (+32°F to 122°F) Non-operating: -55°C to +85°C (+14°F to 185°F) |
| Humidity (non-condensing) | 90% |
| Ventilation | Natural. Minimum gap of 2 cm |
| MTBF | 100 000 Hours |
| Dimensions (L x W x H) (without connector and foets) | 220 x 140 x 35 mm (8.66 x 5.51 x 1.38 inches) - (1/2 19 inches 1U) |
| Box | Metal box Fixing: Set of 2 fixing clamps for wall mountable Set of 2 fixing clamps for DIN rail 35mm mountable |
| EMC compliance | EMI EN55022 Class B, EN55024 |
| Communication Interfaces | |
| Serial port | 1 x RS485/422 (2-wire or 4-wire) D-Sub Connector: 9-pin, Male Speed: 2400 bps up to 115.200 kbps |
| Ethernet port | 10/100BaseT (RJ45), shielded IEEE 802.3 |
| Profibus port | D-Sub Connector: 9-pin, Female, Galvanic isolation 500V Speed: 9600 bps up to 12 Mbps 2 Leds: BF: Bus Fault ST: Communication status |

Multi-Networks GATEway



Working modes supported

Yes, You can do it all together !..



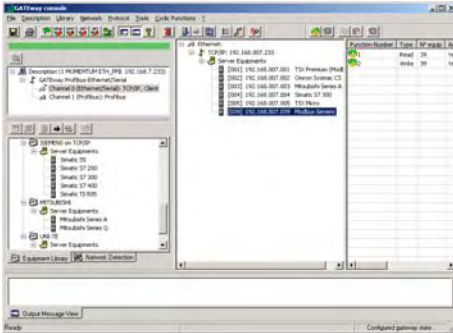
Gateway

Multi-Networks GATEway

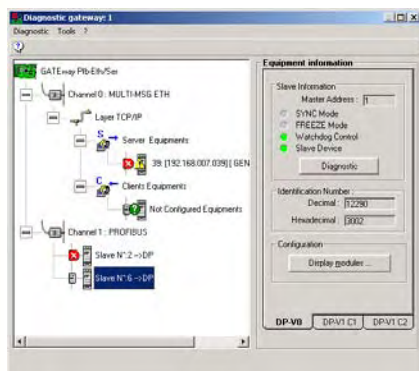


Software tools

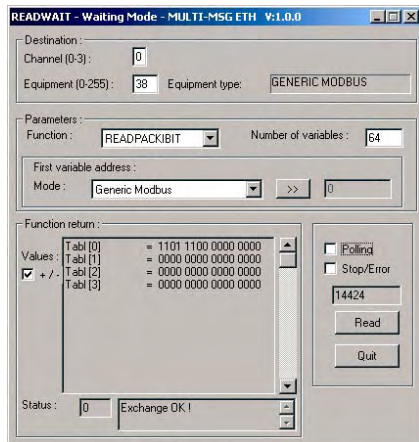
The core of applicom® GATEway lies in effective software tools enabling fast integration of industrial communication into your applications.



- GATEway setup Console -



- Network Diagnostic Tool -



- Read Data Access utility -

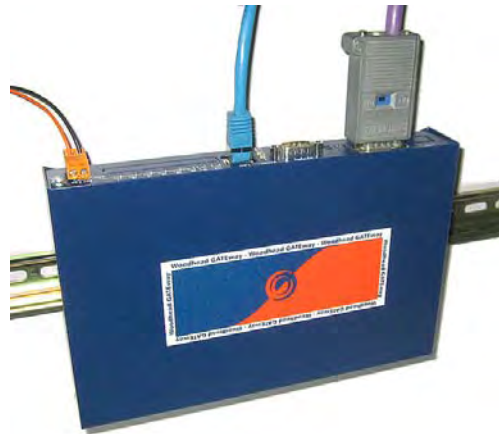
Product Pictures



- GATEway Ethernet ↔ Serial back view -



- GATEway Profibus ↔ Ethernet/Serial back view -



- Rail DIN mount view -

Ordering Information

| Part Number | Description |
|-------------|--|
| APP-ESR-GTW | applicom® GATEway Ethernet ↔ Serial |
| APP-ESP-GTW | applicom® GATEway Profibus ↔ Ethernet / Serial |

Related products

| Part Number | Description |
|--------------|---|
| DRL-2ASI-PFB | Gateway AS-I / Profibus, 2 Channels, Display, IP20 |
| DRL-2ASI-CAN | Gateway AS-I / CANopen, 2 Channels, Display, IP20 |
| DRL-2ASI-DV | Gateway AS-I / DeviceNet, 2 Channels, Display, IP20 |
| DRL-2ASI-SER | Gateway AS-I / Serial Modbus, 2 Channels, Display, IP20 |
| DRL-2ASI-ETH | Gateway AS-I / Ethernet Modbus TCP, 2 Channels, Display, IP20 |
| APP-GTW-S4D | applicom® GT4010 Gateway, 4xRS485/422 Serial Channels, Modbus & Uni-Telway, desktop version |
| APP-GTW-S4R | applicom® GT4010 Gateway, 4xRS485/422 Serial Channels, Modbus & Uni-Telway, 19" 1U rackable version |



To contact us: www.woodhead.com

Europe: France, +33 2 32 96 04 20 – Germany, +49 711 782 3740 – Italy, +39 010 59 30 77 – United Kingdom, +44 1495 356300

North America: Canada, +1 519 725 5136 - USA, +1 800 225 7724

Asia: China, +86 21 50328080 – Singapore, +65 261 6533 – Japan, +81 3 5791 4621

This document is for informational purposes only and is not contractual. We reserve the right to change specifications without prior notice. All the rights reserved. Woodhead L.P 2004

Distribución: ER-SOFT, S.A. Email: er@er-soft.com, Tel: +34 916 408 408