

ETHERNET SELECTION GUIDE

BradCommunications[™]

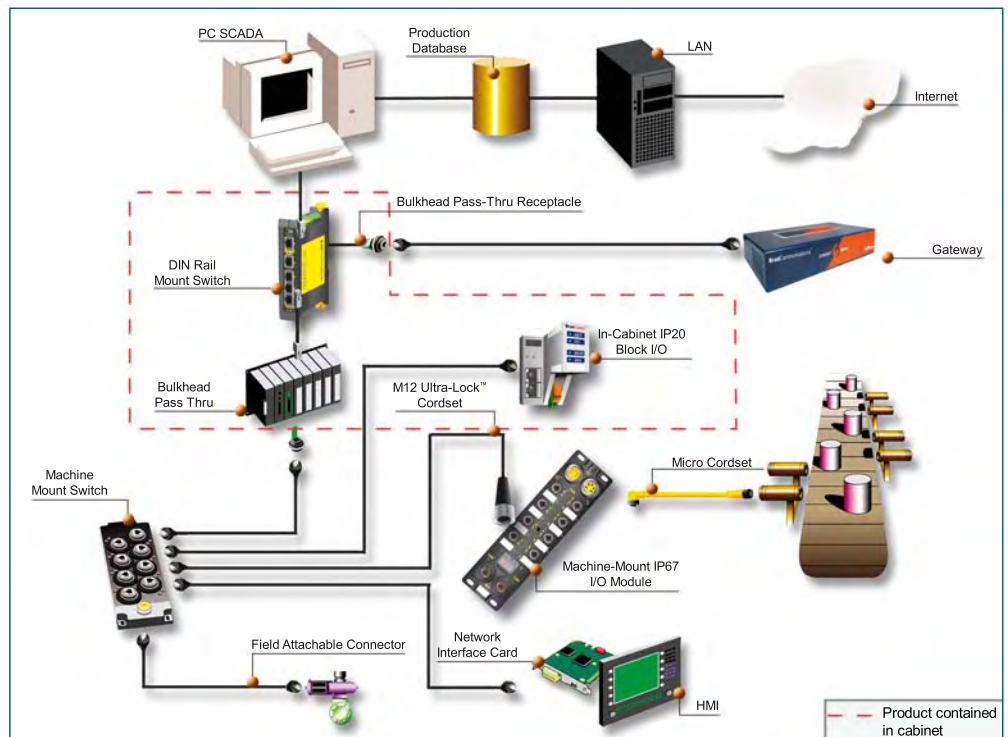
BradConnectivity[™]

BradControl[™]



Woodhead Industries, a Division of Molex "Empowers the Industrial Infrastructure" with innovative communication, control and connectivity solutions for a wide range of Industrial Ethernet applications - from the device and sensor level, to the operations and supervisory level, to connectivity with enterprise business and operations systems.

The success of an Industrial Ethernet relies on the quality and performance of its underlying infrastructure - all the devices, components and pathways needed to support the network's communications, connectivity and control capabilities. Our Brad[®] automation and networking solutions are engineered to facilitate reliable information flow, from machines to PCs and PLCs, and all the way from the plant floor to the enterprise.



Brad[®] Automation Solutions

Our Brad[®] product lines - including such globally recognized names as Brad Harrison[®], applicom[®], SST[™], mPm[®], and RJ-Lnxx[®] - are designed and built industrial-tough to ensure the flexibility, interoperability and rock-solid performance of your Industrial Ethernet applications. Our industrial network solutions include:

- **BradCommunications[™]** - Network interface cards, PLC backplanes, switches, gateways, simulation software, diagnostic tools and embedded software stacks
- **BradConnectivity[™]** - Connectors, cordsets and distribution boxes for sensor, actuator and bus network applications
- **BradControl[™]** - Network I/O for on-machine and in-cabinet applications
- **BradPower[™]** - Modular wiring systems for machine power distribution and motor control

Woodhead Industries, a Division of Molex, operates from 21 locations in 10 countries spanning North America, Europe and Asia/Pacific, so we have the resources to assist you locally with all of your Industrial Ethernet project needs.



CONNECTORS, CORDSETS AND DISTRIBUTION BOXES FOR SENSOR, ACTUATOR AND BUS NETWORK APPLICATIONS

NETWORK CONNECTIVITY

Micro-Change® M12 Threaded Cordsets



- Plug & play connection between Ethernet nodes
- Single and double-ended male cordsets
- Straight and 90°
- Shielded and unshielded
- Decoupled option
- Standard and application-specific lengths

Characteristics

- Proven reliable and durable form factor for harsh manufacturing and processing environments
- Industry-standard D-coded keyway
- Cat5e Compliant
- Rugged IP67 - rated connectors for continual connection integrity in industrial environments

Micro-Change® M12 Ultra-Lock™ Cordsets



- Maximum-performance push-to-lock technology enabling fast, highly reliable and repeatable IP67/68/69K connections
- Single and double-ended male cordsets
- Straight and 90°
- Shielded and unshielded
- Standard and application-specific lengths

Characteristics

- Industry-standard D-coded keyway
- Cat5e Compliant
- IP67/68/69K

Micro-Change® M12 Receptacles



- Connects external overmolded cordsets with an enclosure
- PCB-Mount, wire leads and cable-to-RJ45
- Female front panel-mount (PG9 or M16) and back panel-mount (M16)
- RJ45-to-M12 bulkhead adapters

Characteristics

- Accepts both M12 threaded and Ultra-Lock™ cordsets
- Proven reliable and durable form factor for harsh manufacturing and processing environments
- Industry-standard D-coded keyway
- IP67/68/69K

Micro-Change® M12 Field Attachable Connectors



- Field termination for specific length or repair using IDC connection system
- Male and female

Characteristics

- Provides maximum flexibility by allowing the machine / system builder to determine cable length on site
- Easy to install IDC connectors
- IP67 protection when mated or capped

RJ45 Threaded Cordsets



- Overmolded threaded connectors for secure, robust IP67 connection between Ethernet nodes
- First IP67 industrial Ethernet connector
- Standard and application-specific lengths

Characteristics

- Proven reliability in harsh commercial environments, protecting against vibration, contaminants, electromagnetic interference (EMI), wide temperature ranges and chemicals
- RJ45 plug with ruggedized threaded outer shell
- Cat5e Compliant
- IP67 protection when mated or capped

RJ45 Threaded Receptacles



- Connects RJ45 threaded cordsets with an enclosure
- Punch-down (IDC), bulkhead feed-thru, direct PCB mount, and PCB-to-cable versions

Characteristics

- Proven reliability in harsh commercial environments, protecting against vibration, contaminants, electromagnetic interference (EMI), wide temperature ranges and chemicals
- RJ45 jack with ruggedized outer shell
- Cat5e Compliant
- Compatible with commercial RJ45 connectors
- IP67 protection when mated or capped

RJ45 Threaded Field Attachable Connectors

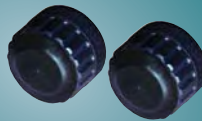


- Field termination for specific length or repair using standard crimp tools

Characteristics

- Provides maximum flexibility by allowing the machine / system builder to determine cable length on site
- Easy to install RJ45
- IP67 protection when mated or capped

RJ45 Threaded Accessories



- Cover caps with optional lanyards to protect receptacle face when not in use
- Back-end receptacle covers provide additional structural support


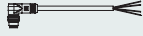
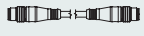


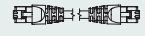
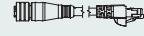

Characteristics

- Protects against moisture, dirt and debris


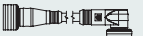

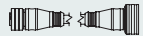


CONNECTORS, CORDSETS AND DISTRIBUTION BOXES FOR SENSOR, ACTUATOR AND BUS NETWORK APPLICATIONS


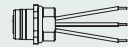

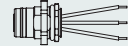
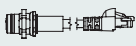


MICRO-CHANGE® (M12) THREADED CORDSETS - Order Number

SINGLE-ENDED (MALE)			DOUBLE-ENDED (MALE/MALE)				DOUBLE-ENDED (FEMALE/MALE)	
								
STRAIGHT	90°		STRAIGHT/STRAIGHT [1]	STRAIGHT/90°	90°/90° [1]	RJ45-TO-RJ45	STRAIGHT/RJ45	STRAIGHT/STRAIGHT CROSSOVER
UNSHIELDED / STRANDED CONDUCTOR / PVC JACKET								
0.2M	-	-	-	-	-	-	-	E11B03003M002
0.6M	E10A00603M006	E10A00703M006	E11A06003M006	E11A06203M006	E11A06303M006	E66A06003M006	E16A03003M006	-
1M	E10A00603M010	E10A00703M010	E11A06003M010	E11A06203M010	E11A06303M010	E66A06003M010	E16A03003M010	-
2M	E10A00603M020	E10A00703M020	E11A06003M020	E11A06203M020	E11A06303M020	E66A06003M020	E16A03003M020	-
3M	E10A00603M030	E10A00703M030	E11A06003M030	E11A06203M030	E11A06303M030	E66A06003M030	E16A03003M030	-
4M	E10A00603M040	E10A00703M040	E11A06003M040	E11A06203M040	E11A06303M040	E66A06003M040	E16A03003M040	-
5M	E10A00603M050	E10A00703M050	E11A06003M050	E11A06203M050	E11A06303M050	E66A06003M050	E16A03003M050	-
10M	E10A00603M100	E10A00703M100	E11A06003M100	E11A06203M100	E11A06303M100	E66A06003M100	E16A03003M100	-
SHIELDED / STRANDED CONDUCTOR / PVC JACKET								
0.2M	-	-	-	-	-	-	-	E11B03015M002
0.6M	E10A00615M006	E10A00715M006	E11A06015M006	E11A06215M006	E11A06315M006	-	-	-
1M	E10A00615M010	E10A00715M010	E11A06015M010	E11A06215M010	E11A06315M010	-	-	-
2M	E10A00615M020	E10A00715M020	E11A06015M020	E11A06215M020	E11A06315M020	-	-	-
3M	E10A00615M030	E10A00715M030	E11A06015M030	E11A06215M030	E11A06315M030	-	-	-
4M	E10A00615M040	E10A00715M040	E11A06015M040	E11A06215M040	E11A06315M040	-	-	-
5M	E10A00615M050	E10A00715M050	E11A06015M050	E11A06215M050	E11A06315M050	-	-	-
10M	E10A00615M100	E10A00715M100	E11A06015M100	E11A06215M100	E11A06315M100	-	-	-
SHIELDED / STRANDED CONDUCTOR / PUR JACKET								
0.2M	-	-	-	-	-	-	-	E11B03010M002
0.6M	E10A00610M006	E10A00710M006	E11A06010M006	E11A06210M006	E11A06310M006	-	-	-
1M	E10A00610M010	E10A00710M010	E11A06010M010	E11A06210M010	E11A06310M010	-	-	-
2M	E10A00610M020	E10A00710M020	E11A06010M020	E11A06210M020	E11A06310M020	-	-	-
3M	E10A00610M030	E10A00710M030	E11A06010M030	E11A06210M030	E11A06310M030	-	-	-
4M	E10A00610M040	E10A00710M040	E11A06010M040	E11A06210M040	E11A06310M040	-	-	-
5M	E10A00610M050	E10A00710M050	E11A06010M050	E11A06210M050	E11A06310M050	-	-	-
10M	E10A00610M100	E10A00710M100	E11A06010M100	E11A06210M100	E11A06310M100	-	-	-



ULTRA-LOCK™ CORDSETS - Order Number

DOUBLE-ENDED (MALE/MALE)			DOUBLE-ENDED (FEMALE/MALE)
			
STRAIGHT/STRAIGHT	STRAIGHT/90°	90°/90°	THREADED/ULTRA-LOCK™ CROSSOVER
UNSHIELDED / STRANDED CONDUCTOR / PVC JACKET			
0.2M	-	-	E1WB03003M002
0.6M	EWWA06003M006	EWWA06203M006	EWWA06303M006
1M	EWWA06003M010	EWWA06203M010	EWWA06303M010
2M	EWWA06003M020	EWWA06203M020	EWWA06303M020
3M	EWWA06003M030	EWWA06203M030	EWWA06303M030
4M	EWWA06003M040	EWWA06203M040	EWWA06303M040
5M	EWWA06003M050	EWWA06203M050	EWWA06303M050
10M	EWWA06003M100	EWWA06203M100	EWWA06303M100
SHIELDED / STRANDED CONDUCTOR / PVC JACKET			
0.2M	-	-	E1WB03015M002
0.6M	EWWA06015M006	EWWA06215M006	EWWA06315M006
1M	EWWA06015M010	EWWA06215M010	EWWA06315M010
2M	EWWA06015M020	EWWA06215M020	EWWA06315M020
3M	EWWA06015M030	EWWA06215M030	EWWA06315M030
4M	EWWA06015M040	EWWA06215M040	EWWA06315M040
5M	EWWA06015M050	EWWA06215M050	EWWA06315M050
10M	EWWA06015M100	EWWA06215M100	EWWA06315M100
SHIELDED / STRANDED CONDUCTOR / PUR JACKET			
0.2M	-	-	E1WB03010M002
0.6M	EWWA06010M006	EWWA06210M006	EWWA06310M006
1M	EWWA06010M010	EWWA06210M010	EWWA06310M010
2M	EWWA06010M020	EWWA06210M020	EWWA06310M020
3M	EWWA06010M030	EWWA06210M030	EWWA06310M030
4M	EWWA06010M040	EWWA06210M040	EWWA06310M040
5M	EWWA06010M050	EWWA06210M050	EWWA06310M050
10M	EWWA06010M100	EWWA06210M100	EWWA06310M100

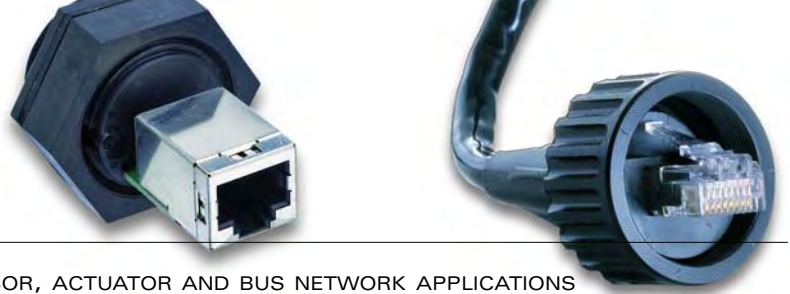
MICRO-CHANGE® (M12) RECEPTACLES - Order Number

FRONT PANEL - MOUNT		
		
PCB-MOUNT	PCB + FLYING LEADS	
PG9	ERWD2J30	ERWAAJ3000C050
M16	ERWD2U30	ERWAAU3000C050
BACK PANEL - MOUNT		
		
PCB-MOUNT	PCB + FLYING LEADS	CABLE-TO-RJ45
M16	ERWD2U70	ERWAAU7000C050
M16*	ERWF2U70	ERWPAU7003M006
*with Board locking feature		
BULKHEAD ADAPTER (M12-RJ45)		
		
STRAIGHT	90°	
ER1PADAPTER	ER1PADAPTER90	

MICRO-CHANGE® (M12) ACCESSORIES - Order Number

FIELD-ATTACHABLE CONNECTORS	
	
MALE	FEMALE
E1AS06-52	E1AS00-52

[1] Also available in decoupled configuration



CONNECTORS, CORDSETS AND DISTRIBUTION BOXES FOR SENSOR, ACTUATOR AND BUS NETWORK APPLICATIONS

RJ45 THREADED CORDSETS - Order Number

SINGLE-ENDED CORDSETS		DOUBLE-ENDED CORDSETS			
INDUSTRIAL MALE		INDUSTRIAL MALE/ INDUSTRIAL MALE	INDUSTRIAL MALE/ STANDARD MALE	STANDARD MALE/ STANDARD MALE	
SHIELDED / SOLID CONDUCTOR / PUR JACKET / UL/CSA [1]					
0.6M	ENS3105M006	ENS3115M006	ENS3135M006	ENS3335M006	
1M	ENS3105M010	ENS3115M010	ENS3135M010	ENS3335M010	
2M	ENS3105M020	ENS3115M020	ENS3135M020	ENS3335M020	
3M	ENS3105M030	ENS3115M030	ENS3135M030	ENS3335M030	
4M	ENS3105M040	ENS3115M040	ENS3135M040	ENS3335M040	
5M	ENS3105M050	ENS3115M050	ENS3135M050	ENS3335M050	
10M	ENS3105M100	ENS3115M100	ENS3135M100	ENS3335M100	
SHIELDED / STRANDED CONDUCTOR / PUR JACKET / KEVLAR-WRAPPED [1]					
0.6M	ENP3105M006	ENP3115M006	ENP3135M006	ENP3335M006	
1M	ENP3105M010	ENP3115M010	ENP3135M010	ENP3335M010	
2M	ENP3105M020	ENP3115M020	ENP3135M020	ENP3335M020	
3M	ENP3105M030	ENP3115M030	ENP3135M030	ENP3335M030	
4M	ENP3105M040	ENP3115M040	ENP3135M040	ENP3335M040	
5M	ENP3105M050	ENP3115M050	ENP3135M050	ENP3335M050	
10M	ENP3105M100	ENP3115M100	ENP3135M100	ENP3335M100	
UNSHIELDED / STRANDED CONDUCTOR / PUR JACKET / UL/CSA [1]					
0.6M	ENQ3105M006	ENQ3115M006	ENQ3135M006	ENQ3335M006	
1M	ENQ3105M010	ENQ3115M010	ENQ3135M010	ENQ3335M010	
2M	ENQ3105M020	ENQ3115M020	ENQ3135M020	ENQ3335M020	
3M	ENQ3105M030	ENQ3115M030	ENQ3135M030	ENQ3335M030	
4M	ENQ3105M040	ENQ3115M040	ENQ3135M040	ENQ3335M040	
5M	ENQ3105M050	ENQ3115M050	ENQ3135M050	ENQ3335M050	
10M	ENQ3105M100	ENQ3115M100	ENQ3135M100	ENQ3335M100	
SHIELDED / SOLID CONDUCTOR / PUR JACKET [1]					
0.6M	ENV3105M006	ENV3115M006	ENV3135M006	ENV3335M006	
1M	ENV3105M010	ENV3115M010	ENV3135M010	ENV3335M010	
2M	ENV3105M020	ENV3115M020	ENV3135M020	ENV3335M020	
3M	ENV3105M030	ENV3115M030	ENV3135M030	ENV3335M030	
4M	ENV3105M040	ENV3115M040	ENV3135M040	ENV3335M040	
5M	ENV3105M050	ENV3115M050	ENV3135M050	ENV3335M050	
10M	ENV3105M100	ENV3115M100	ENV3135M100	ENV3335M100	

[1] 4th digit represents wiring (1=10BaseT, 2=568A, 3=568B)

RJ45 THREADED RECEPTACLES - Order Number

110 PUNCHDOWN	DIRECT-MOUNT PCB	SOLDER PCB
ENDR2FB5	ENPR1FF5	ENSR1FB5
SOLDER PCB + CABLE TERMINATION [2]		
0.305M 1M	ENSR1FB5C305 ENSR1FB5M010	0.305M 1M
		ENSP1F5C305 ENSP1F5M010
INLINE INTERCONNECT		
RJBG16821		
BULKHEAD PASSTHRU		
RJ45 ENSP1F5		RJ11 ENSP6F5
RJBG17946		

[2] 5th digit represents wiring (1=10BaseT, 2=568A, 3=568B)

RJ45 THREADED ACCESSORIES - Order Number

FIELD ATTACHABLES		CAP		CAP & LANYARD		BACKEND RECEPTACLE COVER
FOR STRANDED CORE ENQAM315	FOR SOLID CORE ENSAM315	FEMALE 65-0300	MALE 65-0301	FEMALE 67-0300	MALE 67-0301	RJBG17756



NETWORK I/O FOR ON-MACHINE AND IN-CABINET APPLICATIONS

IP67 I/O MODULES

RJ45 Threaded
With 8 Ports,
M12 Connection



- Supports EtherNet/IP application layer
- Built-in Web server for remote monitoring and configuration

Characteristics

- 8 input, 8 output points per module
- 10/100 Mbps auto-negotiation, RJ45
- Static or dynamic IP address configuration

Order Number

TEN-888-R18-05 EtherNet/IP Slave

Threaded and Ultra-Lock™
With 8 Ports,
M12 Connection



- Supports Open ModbusTCP and UDP
- Built-in switch for "daisy-chain" topology
- Built-in Web server for remote monitoring and configuration
- Internal switch for Bus-like wiring

Characteristics

- Multiple I/O configurations available
- 10/100 Mbps auto-negotiation, M12
- Supports both M12 threaded and Ultra-Lock™ cordsets
- Remote and local IP address configuration
- Advanced display unit

Order Number

TCDEM-8DOx-D1U [1] 16 inputs
TCDEM-8C2x-D1U [1] 14 inputs, 2 outputs
TCDEM-8B4x-D1U [1] 12 inputs, 4 outputs
TCDEM-888x-D1U [1] 8 inputs, 8 outputs

For availability of ProfiNet and EtherNet/IP support, contact us

Replace **x** by **N** for **NPN** input or **P** for **PNP** input

IP20 I/O MODULES

IP20 Ethernet
Coupler



- Supports Open ModbusTCP and UDP
- Modular I/O System
- Built-in switch for "daisy-chain" topology
- Carrier Rail DIN 35

Characteristics

- 10/100 Mbps auto-negotiation, RJ45
- Advanced display unit
- Digital and Analog signals

Order Number

BCB-EMB-001 ModbusTCP

For availability of ProfiNet and EtherNet/IP support, contact us

BradCommunications™

NETWORK INTERFACE CARDS

Combo Card for
Ethernet and
PROFIBUS or Serial



- COMBO: Ethernet 10/100 + PROFIBUS 1.5 Mbps or Ethernet 10/100 + Serial 38,4 Kbps
- Certified with more than 50 SCADA/HMI packages
- All PROFIBUS and Ethernet protocols can run simultaneously

Characteristics

- Universal PCI bus, 3.3/5V
- RoHS compliant
- Software interfaces included

Order Number

APP-ETH-PCU PCI bus, 3.3/5V, EthernetTCP/IP

- Compatible with various OS
- Protocols:
 - Allen-Bradley EtherNet/IP
 - Altus Alnet II
 - Alstom SRTF
 - GE Fanuc SRTF
 - Mitsubishi Meslec
 - Omron FINS
 - Open ModbusTCP & UDP
 - Schneider Uni-TE
 - Siemens Industrial Ethernet

Order Number

APP-EPB-PCU PCI bus, 3.3/5V, EthernetTCP/IP + PROFIBUS
APP-ESR-PCU PCI bus, 3.3/5V, EthernetTCP/IP + Serial

PC-based Control
Applications



- Real time data acquisition
- Auto mapping of I/O in DPRAM card
- ODVA conformance tested

Characteristics

- Universal PCI bus, 3.3/5V
- RoHS compliant. Software interfaces included
- Compatible with various OS
- Protocols :
 - ModbusTCP/UDP Master/scanner
 - EtherNet/IP Master/Scanner and Slave

Order Number

DRL-EIO-PCU PCI bus, 3.3/5V

SWITCHES

IP67 Machine Mount
Switch



- Allows devices to transmit messages simultaneously without collision
- Harsh environment Ethernet infrastructure
- Secure robust connections

Characteristics

- 10/100 Mbps auto-negotiation
- IP67 protection
- Auto-programming to simplify set up

Order Number

ENHSAURR8 Machine Mount Switch, 8 ports

In Cabinet DIN Rail
Mount Switch

- Allows devices to transmit messages simultaneously without collision
- Harsh environment Ethernet infrastructure
- Secure robust connections
- Redundant power supply

Characteristics

- 10/100 Mbps auto-negotiation
- IP30 protection
- 5, 8 and 9 ports version
- No programming required

Order Number

DRL-241-xxx 5 unmanaged ports, 4 RJ45 + 1 fiber
DRL-250 5 unmanaged ports, 5 RJ45
DRL-280 8 unmanaged ports, 8 RJ45



DRL-281-xxx 9 unmanaged ports, 8 RJ45 + 1 fiber
DRL-290 9 unmanaged ports, 9 RJ45

DRL-332-xxx 5 managed Web ports, 3 RJ45 + 2 fiber
DRL-350 5 managed ports, 5 RJ45
DRL-362-xxx 8 managed Web ports, 6 RJ45 + 2 fiber
DRL-380 8 managed ports, 8 RJ45

DRL-001 SC to ST fiber adapter connector
DRL-002 DB9 to RJ45 connector (configuration port)

Replace **x** by: **M** for **Multi-mode 100 Base**
S for **Single-mode 100 Base**

Replace **xx** by: **SC** for **SC Connector**
ST for **ST Connector**



NETWORK INTERFACE CARDS, PLC BACKPLANES, SWITCHES, GATEWAYS, SIMULATION SOFTWARE AND DIAGNOSTIC TOOLS

INDUSTRIAL GATEWAYS

Multi Protocol Intelligent Industrial Gateway



- Enables high speed data exchange between industrial devices (PLC, IO blocks, etc.) through PROFIBUS, Ethernet TCP/IP and Serial networks
- More than 20 000 protocols combinations possible
- No knowledge or programming required, only configuration (tools included)
- Fast data exchange through integrated database (32Kbits/32Kwords)
- Read/write cyclic functions
- Supports unsolicited data exchange from client devices

Characteristics

- Protocols:
 - Ethernet TCP/IP**, 10/100 Mbps
 - Allen-Bradley EtherNet/IP
 - Altus Alnet II- Alstom SRTP
 - GE Fanuc SRTP
 - Mitsubishi Meslec
 - Omron FINS
 - Open Modbus TCP & UDP
 - Schneider Uni-TE
 - Siemens Industrial Ethernet

- PROFIBUS**, 9.6 Kbps to 12 Mbps
 - Master DP-V0
 - Slave DP-V0
 - Client S7/MPI
 - Client FDL S5

- Serial**, up to 115.2 Kbps
 - Master DF1
 - Master SNP-X
 - Master Modbus
 - Slave Modbus (ASCII & RTU)
 - Slave Uni-Telway
 - Master AS511
 - Master TI-Dir

Order Number

- APP-ESR-GTW** Ethernet to Ethernet / Serial Gateway
- APP-ESP-GTW** Ethernet to PROFIBUS / Ethernet / Serial Gateway

Web remote Gateway



- Monitors and controls PROFIBUS or Serial devices using a standard web browser
- Customizes built-in HTML pages to create user interface
- Manages alarms information to remote centers (email, SMS, IPcallback)

Characteristics

- Up to 100 Mbps
- Protocols:
 - Serial
 - ModbusTCP
 - PROFIBUS

Order Number

- APP-WEB-SER-M** Web remote Gateway with modem
- APP-WEB-SER-MTH** Web remote Gateway with modem and ThinHMI interface
- APP-WEB-TH** ThinHMI graphical interface for Webgate

PROFINET IO Proxy



- Provides real-time connectivity between a PROFINET IO controller and Ethernet devices
- Easy to use - no programming, just configuring

Characteristics

- Speed: 10/100 Mbps
- Protocols:
 - Allen-Bradley EtherNet/IP
 - Altus Alnet II
 - Alstom SRTP
 - GE Fanuc SRTP
 - Mitsubishi Meslec
 - Omron FINS
 - Open Modbus TCP & UDP
 - Schneider Uni-TE
 - Siemens Industrial Ethernet

Order Number

- APP-PNT-GTW-P** PROFINET IO Proxy for Ethernet, PROFIBUS and Serial

Simple Ethernet to DeviceNet/Serial/PROFIBUS Tunnelling Gateway



- Cost effective gateway solution
- Remote data acquisition
- DIN rail, IP20 mounting

Characteristics

- Speed: 10 Mbps
- Protocols:
 - ModbusTCP/IP Master/Slave
 - Modbus RTU/ASCII Master/Slave
 - PROFIBUS Slave
 - DeviceNet Slave

Order Number

- DRL-DVN-SRE** DeviceNet to Ethernet Gateway
- DRL-PFB-SRE** PROFIBUS to Ethernet Gateway

Simple Ethernet to AS-interface Tunnelling Gateway



- Allows easy integration to AS-I sensors and actuators to Ethernet network
- DIN rail, IP20 mounting

Characteristics

- Speed: 10 Mbps
- Protocols:
 - Modbus TCP
 - Master AS-interface v2.1

Order Number

- DRL-2ASI-ETH** AS-Interface to ModbusTCP gateway

SOFTWARE DRIVERS

Software Driver for Light Applications



- Well suited for embedded and light architecture
- Economic solution
- Software or dongle protection
- All Ethernet protocols run simultaneously

Characteristics

- Uses PC-based Ethernet card or Serial port
- Software interfaces included
- Compatible with various OS
- Protocols:
 - Allen-Bradley EtherNet/IP
 - Altus Alnet II
 - Alstom SRTP
 - GE Fanuc SRTP

- Mitsubishi Meslec - Omron FINS
- Open Modbus TCP & UDP
- Schneider Uni-TE
- Siemens Industrial Ethernet

Order Number

- DRL-ALL-SWL-x** Software interface, 1000 tags all protocols
- DRL-ALL-SWF-x** Software interface, full tags all protocols

Replace **x** by: **S** for Software Key,
P for Dongle for parallel port (short format)
U for Dongle for USB port (not supported on NT4)

NORTH AMERICA

Canada

Mississauga, Ontario
+1 905 624 6518

Waterloo, Ontario (BradCommunications)
+1 519 725 5136

United States

Northbrook, IL
+1 800 225 7724

EUROPE

France

Lagny-sur-Marne
+33 1 64 30 91 36

Caudebec-lès-Elbeuf (BradCommunications)
+33 2 32 96 04 20

Germany

Bretten-Gölshausen
+49 7252 94 96 0

Italy

Cusano Milanino, Milan
+39 026 642961

Genova (BradCommunications)
+39 010 593077

United Kingdom

Ebbw Vale, Gwent, Wales
+44 1495 356300

ASIA

China

Shanghai
+86 21 5835 9885

Japan

Tokyo
+81 3 5791 4621

Singapore

Singapore
+65 6261 6533

BradCommunications™

Network interface cards, PLC backplanes, switches, gateways, simulation software and diagnostic tools.

BradConnectivity™

Connectors, cordsets and distribution boxes for sensor, actuator and bus network applications.

BradControl™

Network I/O for on-machine and in-cabinet applications.

BradPower™

Modular, flexible wiring systems for machine power distribution and motor control.

your local distributor

Brad®
from Woodhead Industries
w o o d h e a d . c o m