

DL-485PBR

PROFIBUS-Fiber Optic System Redundant



System description

The fiber-optic systems DL-485PBR secure the optical data transfer within Profibus field bus networks. Our special multifunctional fiber optic system also allows the construction of optical ring structures.

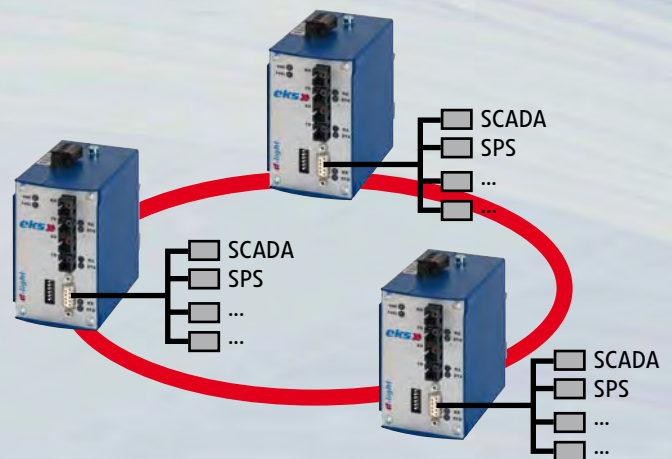
The system of this series is especially suitable for applications with strict safety-related requirements as for instance: process industry, tunnel ventilation systems and railway technology.

Important performance features of the transfer with POF, HCS, multimode or singlemode fiber optic are the electromagnetic ruggedness, the potential separation of transmitter and receiver, as well as ranges up to 40km between two fiber optic systems. LED's and potential-free contacts (optional) of a fault detector relay are able to signal defective states.

In addition to ST and SC the optical connection type E2000 is also available. All systems can communicate via two as well as one fiber with the help of the BIDI-technology with SC port.

Please inquire your requested type if it is not listed in the adjoining chart.

Application



Ordering Information

System								
DL-485PBR/	2x6-P-ST	2x6-P-SM	2x13-M-ST	2x13-M-SC	2x13-M-SC-BIDI	2x13-S-ST-L	2x13-S-SC-L	2x13-S-SC-BIDI
Ordering-No.	0 100 06351	0 100 06352	0 100 06371	0 100 06373	0 100 06373-BIDI	0 100 06381	0 100 06383	0 100 06383-BIDI
Fiber Connector	ST	SMA	ST	SC	SC	ST	SC	SC

Fiber					
Fiber Type	POF 980/1000 μm	Multi-Mode 62,5 (50) /125 μm			Single-Mode 9/125 μm
Optical Budget	12 dB	13dB	13dB	17 dB	17 dB
Max. Distance	50 m (180 dB/km)	5 km (1 dB/km)	5 km (1 dB/km)	15 km (0,4 dB/km)	15 km (0,4 dB/km)
Wavelength	650 nm	1300 nm	1300/1500 nm	1300 nm	1300/1500 nm

Interface	
Data Rate max.	3 MBit/s
Operation Mode	half duplex
Termination	switchable: none or resistor network (Rw + Rpd + Rpu)
Max. Distance	1.200m (9,6 – 187,5 KBit/s), 400m (500 KBit/s), 200m (1.5 MBit/s) Distances according to Profibus user Organization (PNO)
Signal Delay	RS485 \longleftrightarrow LWL : < 3 TBit Tx \longleftrightarrow Rx : 11 TBit
Connector	9 pol. SUB-D female / 6 pol. screw terminal block

Power Supply	
Status - LED's	Power Supply (green) / Data Receive (yellow) / Status (red)
Operation Voltage	24 VDC (10 VDC .. 30 VDC), other voltages on request
Current Consumption	250 mA
Potential Separation	500 VDC (24 VDC RS485)

Environmental	
Operating Temperature	-10°C - +55°C
Storage Temperature	-40°C - +85°C
EMC	EN61000-6-2 / EN55022 Class B +A1 + A2

Mechanical	
Weight	500 g
Housing	stainless steel, powder coated
Dimensions (H x B x T)	115 mm x 61 mm x 113 mm

