

# EL-100

## 4-Port Switch unmanaged



### System description

In Ethernet Networks the network availability is directly linked to the production processes. Therefore, fault-tolerant network components are essential to avoid network outages which could lead to production standstills.

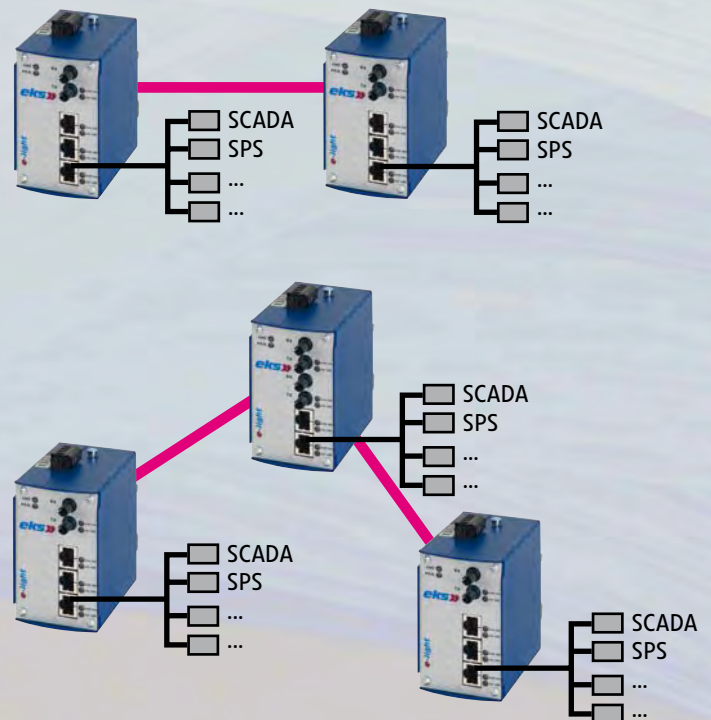
The EL-100-series contains unmanaged 4-Port-switches for 10/100MBit/s with up to four RJ45-Ethernet-Ports and up to two optical ports which operate with POF, HCS-, multimode or single mode fiber optic. Additional features are autonegotiation, MDX/ MDIX and redundant power supply.

Important performance features of the transfer with POF, HCS, multimode or singlemode fiber optic are the electromagnetic ruggedness, the potential separation of transmitter and receiver, as well as ranges up to 40km between two fiber optic systems. LED's and, on request, potential-free contacts of a fault detector relay are able to signal defective states.

In addition to ST, SC and SMA the optical connection type E2000 is also available. All systems can communicate via two as well as one fiber with the help of the BIDI-technology with SC port.

Please inquire your requested type if it is not listed in the adjoining chart.

### Application



# Ordering Information

<b>System / ST</b>							
EL-100/	4TX	3TX-1FX-ST-MM	2TX-2FX-ST-MM	-	3TX-1FX-ST-SM	2TX-2FX-ST-SML	-
Ordering-No.	0 670 100	0 670 101	0 670 102	-	0 670 151	0 670 152	-
Fiber Connector (100FX-Port)	-	1 x ST	2 x ST	-	1 x ST	2 x ST	-

<b>System / SC</b>							
EL-100/	-	3TX-1FX-SC-MM	2TX-2FX-SC-MM	2TX-2FX-SC-MM-BIDI	3TX-1FX-SC-SM	2TX-2FX-SC-SM	2TX-2FX-SC-SM-BIDI
Ordering-No.	-	0 670 111	0 670 112	0 670112-BIDI	0 670 161	0 670 162	0 670 162-BIDI
Fiber Connector (100FX-Port)	-	1 x SC	2 x SC	2 x SC	1 x SC	2 x SC	2 x SC

<b>System / E2000</b>							
EL-100/	-	3TX-1FX-E2-MM	2TX-2FX-E2-MM	-	3TX-1FX-E2-SM	2TX-2FX-E2-SM	-
Ordering-No.	-	0 670 131	0 670 132	-	0 670 181	0 670 182	-
Fiber Connector (100FX-Port)	-	1 x E2000	2 x E2000	-	1 x E2000	2 x E2000	-

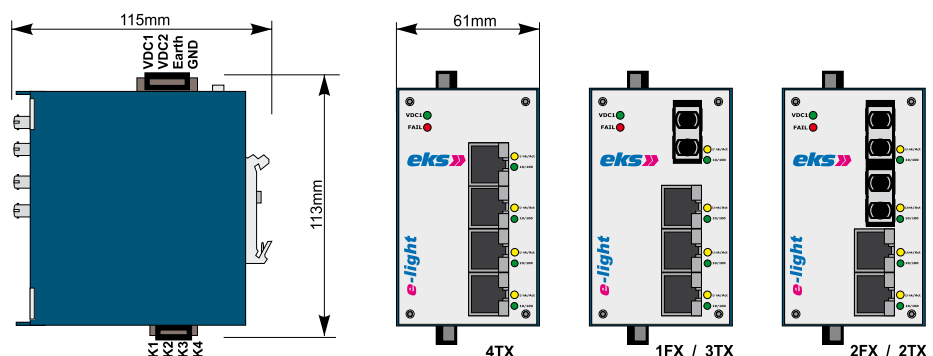
<b>Interface</b>							
RJ45 (10/100 TX-Ports)	4	3	2	2	3	2	2
Autonegotiation / AUTO MDI/MDX / supports up to 100m (CAT5E)							

<b>Fiber</b>					
Fiber type	-	Multi-Mode 62,5 (50) /125 µm		Single-Mode* 9/125 µm	
Optical Budget	-	8dB	17 dB	17 dB	17dB
Max. Distance	-	5 km (1 dB/km)	5 km (1 dB/km)	15 km (0,4 dB/km)	15 km (0,4 dB/km)
Wavelength	-	1300 nm	1300/1500 nm	1300 nm	1300/1500 nm

<b>Power Supply</b>	
Status - LED's	Power Supply (green) / Data Receive (yellow) / Status (red)
Operating Voltage	24 VDC (10 VDC .. 30 VDC), other voltages on request
Current Consumption	200 mA
Potential Separation	500 VDC (24 VDC → Ethernet)

<b>Environmental</b>	
Operating Temperature	-10°C - +55°C
Storage Temperature	-40°C - +85°C
EMC	EN61000-6-2 / EN55022 Class B +A1 + A2

<b>Mechanical</b>	
Weight	500 g
Housing	stainless steel, powder-coated
Dimensions (H x B x T)	115 mm x 61 mm x 113 mm



\* Singlemode-fiber optic systems with distances up to 100km on request!