

EL-100X

4-Port Switch unmanaged, extended temperature range



System description

In Ethernet Networks the network availability is directly related to the production processes. Therefore error-resistant network components are essential to avoid network outages which could lead to production standstills.

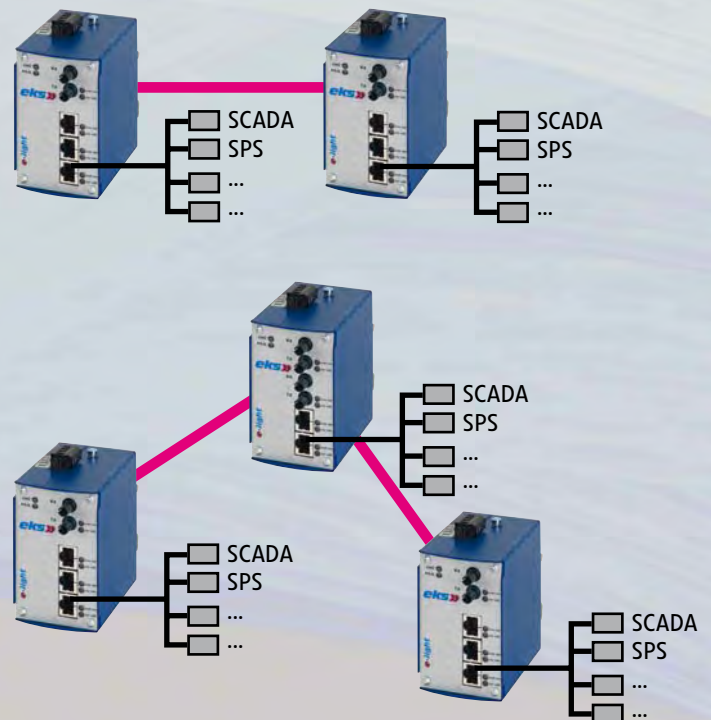
The series EL-100X contains unmanaged 4-Port-switches for 10/100MBit/s with optionally up to four RJ45-Ethernet-Ports and up to two optical ports which operate with POF, HCS-, multimode or single mode fiber optic. Additional features are autonegotiation, MDX/ MDIX, redundant power supply and extended temperature range.

Important performance features of the transfer with POF, HCS, multimode or singlemode fiber optic are the electromagnetic ruggedness, the potential separation of transmitter and receiver, as well as ranges up to 40km between two fiber optic systems. LED's and potential-free contacts (optional) of a fault detector relay are able to signal defective states.

In addition to ST, SC and SMA the connection type E2000 is also available. All systems can communicate via two as well as one fiber with the help of the BIDI-technology with SC port.

Please inquire your requested type if it is not listed in the adjoining chart.

Application



Ordering Information



System / ST							
EL-100X/	4TX	3TX-1FX-ST-MM	2TX-2FX-ST-MM	-	3TX-1FX-ST-SM	2TX-2FX-ST-SML	-
Ordering-No.	0 670 300	0 670 301	0 670 302	-	0 670 351	0 670 352	-
Fiber Connector (100FX-Port)	-	1 x ST	2 x ST	-	1 x ST	2 x ST	-

System / SC							
EL-100X/	-	3TX-1FX-SC-MM	2TX-2FX-SC-MM	2TX-2FX-SC-MM-BIDI	3TX-1FX-SC-SM	2TX-2FX-SC-SM	2TX-2FX-SC-SM-BIDI
Ordering-No.	-	0 670 311	0 670 312	0 670 312-BIDI	0 670 361	0 670 362	0 670 362-BIDI
Fiber Connector (100FX-Port)	-	1 x SC	2 x SC	2 x SC	1 x SC	2 x SC	2 x SC

System / E2000							
EL-100/	-	3TX-1FX-E2-MM	2TX-2FX-E2-MM	-	3TX-1FX-E2-SM	2TX-2FX-E2-SM	-
Ordering-No.	-	0 670 131	0 670 132	-	0 670 181	0 670 182	-
Fiber Connector (100FX-Port)	-	1 x E2000	2 x E2000	-	1 x E2000	2 x E2000	-

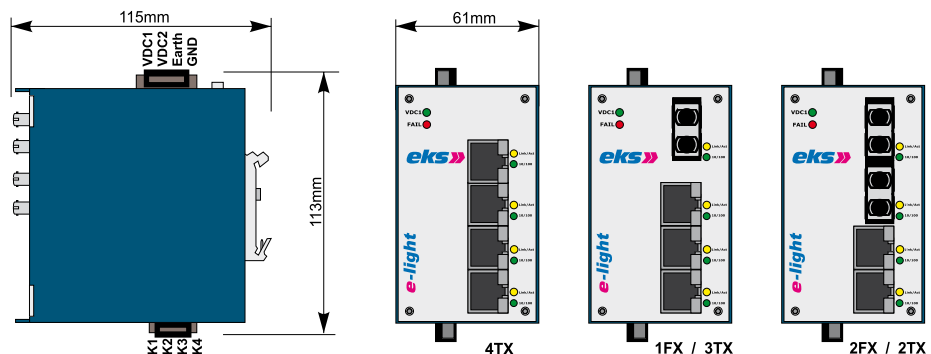
Interface							
RJ45 (10/100 TX-Ports)	4	3	2	2	3	2	2
Autonegotiation / AUTO MDI/MDX / supports up to 100m (CAT5E)							

Fiber							
Fiber type	-	Multi-Mode 62,5 (50) /125 μm			Single-Mode* 9/125 μm		
Optical Budget	-	8dB	17 dB	17 dB	17dB	17dB	
Max. Distance	-	5 km (1 dB/km)	5 km (1 dB/km)	15 km (0,4 dB/km)	15 km (0,4 dB/km)	15 km (0,4 dB/km)	
Wavelength	-	1300 nm	1300/1500 nm	1300 nm	1300/1500 nm	1300/1500 nm	

Power Supply	
Status - LED's	Power Supply (green) / Data Receive (yellow) / Status (red)
Operating Voltage	24 VDC (10 VDC .. 30 VDC), other volatges on request
Current Consumption	200 mA
Potential Separation	500 VDC (24 VDC → Ethernet)

Environmental	
Operating Temperature	-20°C - +70°C
Storage Temperature	-40°C - +85°C
EMC	EN61000-6-2 / EN55022 Class B +A1 + A2

Mechanical	
Weight	500 g
Housing	stainless steel, powder-coated
Dimensions (H x B x T)	115 mm x 61 mm x 113 mm



* Singlemode-fiber optic systems with distances up to 100km on request!