



XPORT Ethernet/IP Serial Modbus to Ethernet/IP RJ45

The XPORT-EIP Intelligent RJ45 connector converts a serial Modbus RTU/ASCII device into an Ethernet/IP device. All standard Modbus commands and messages are automatically converted. The limitations of a serial network are removed; using Ethernet every node has the ability to read/write data to each other using Ethernet/IP.

Providing quality
Network products
and the best service
to our customers.

- Chips
- Modules
- Software
- Products

The XPORT-EIP is an intelligent RJ45 connector with Modbus Master or Slave and Ethernet/IP software built-in. The XPORT-EIP is a simple component that can be added to your existing board and converts your existing Modbus RTU/ASCII serial TTL port to an Ethernet/IP Ethernet port.

The XPORT-EIP is based on the powerful XPort including a built-in web server for user customized web pages. Custom web pages and JAVA applets can be developed to provide the user information about the local Modbus device.

The XPORT-EIP is available in a finished product call the NET232-EIP.

The XPORT-EIP is a small RJ45 Ethernet connector that gets soldered on to your printed circuit board. The pins on the XPort are the serial TTL signals that come from your local serial port.

The XPORT-EIP is powered using +3.3 volts and has an extended temperature range of -40 to +85 degrees C. These specifications allow the XPORT-EIP to be used in commercial and industrial applications.

The Ethernet port of the XPORT-EIP supports both 10/100M Ethernet connections. The serial port of the XPORT-EIP supports baud rates up to 115K baud.

XPORT Ethernet/IP Serial to Ethernet RJ45

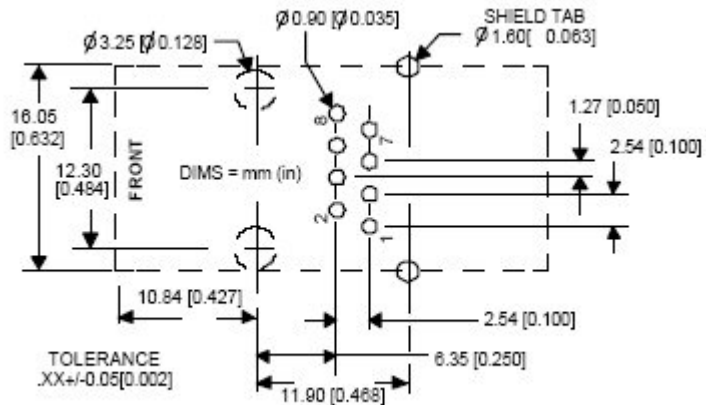
Features

- Compact RJ45 Size
- Modbus RTU/ASCII Serial
- Ethernet/IP Ethernet
- All Modbus registers and functions
- Plugs into TTL serial port on PCB
- +3.3 volt operation
- 10BASE-T/100BASE-TX compliant
- Auto-Sensing
- Ethernet Activity and Status LEDs
- Wide temperature range -40 to +85 degrees C
- OEM and custom versions available

Ethernet/IP Specifications

- Communications Adapter profile
- Ethernet/IP I/O server
- Identity Object (configurable)
- Connection manager object
- Message router object
- Assembly object
- Ethernet link object
- TCP/IP object
- Vendor specific objects to configure Modbus client and register to I/O message mapping
- All required attributes and services
- Producer/Consumer I/O messaging
- CIP module and network status
- Customized features available

XPORT-MBTCP Diagram



Serial Interface Signals

Table 1 - Serial Interface Signals

Signal Name	Pin	Function
GND	1	Circuit Ground
Vcc	2	+3.3V Power In
Reset (In)	3	External Reset In
Data OUT	4	Serial Data Out
Data IN	5	Serial Data In
CP1	6	Configurable Pin 1: Flow control – connects to CTS of attached DTE device, Programmable Digital Input or Output, Status LED 1
CP2	7	Configurable Pin 2: Modem control – connects to DCD of attached DTE device, Programmable Digital Input or Output
CP3	8	Configurable Pin 3: Flow control – connects to RTS of attached DTE device, Modem control – connects to DTR of attached DTE device, Programmable Digital Input or Output, Status LED 3

Part Numbers:

GC-XPORT-EIP

Modbus to Ethernet/IP RJ45

Complete products including the XPort are also available