

SERCOS III Communication in Motion

CONNECTED BY
netx

SERCOS
interface

SERCOS III Slave released

Based in Ethernet, SERCOS III is the third generation of the SERCOS interface series. It incorporates all the requirements of modern drive technology such as cycling times up to 62.5µs, Jitter smaller than 1µs, Redundancy and Hot Plug.

For the netX the SERCOS III Slave Stack is now available in Version 1.1. This universal network controller with its 32Bit/200MHz ARM CPU incorporates the whole protocol and offers a simple access via Dual-Port-Memory to the cyclic data and the service channel. The synchronization of the motion application occurs via the output signal.

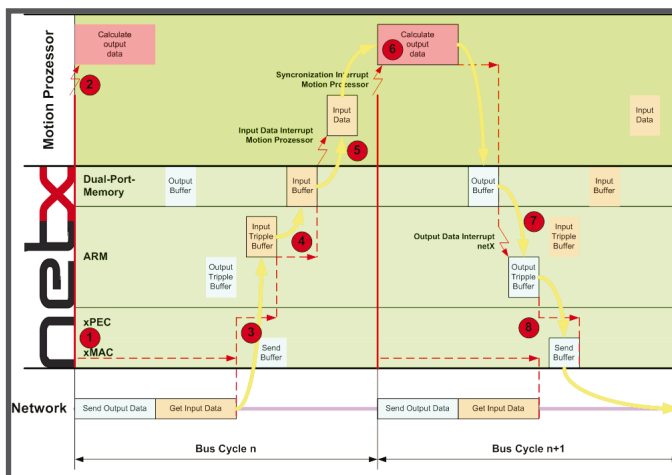
The SERCOS III Slave is offered as standard components in the formats PCI, PCI Express, Mini PCI, PCI-104, CompactPCI or as Communication Module.



Customer specific designs or own development

All the information required for development of an own SERCOS III interface is available on the Internet. The protocol stack is obtainable as loadable Firmware, linkable Object Module or in Source Code.

If desired, we can carry out the overall development and will be happy to carry out the production on our own SMD line.



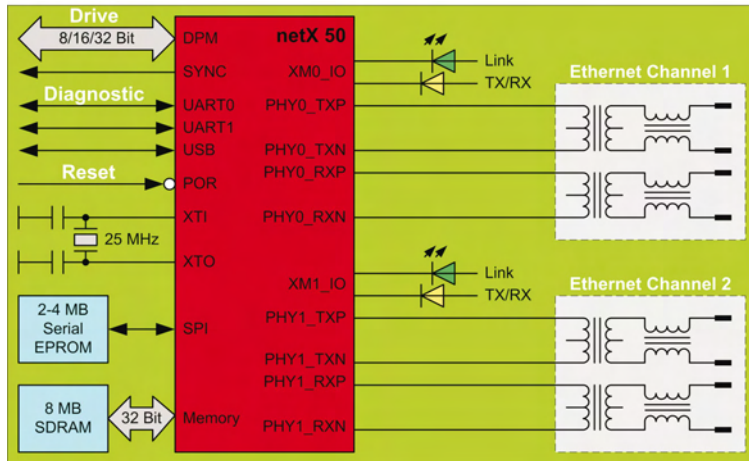
- 8 / 16 / 32 Bit Dual-Port-Memory
- Jitter less than 1µs
- Cycling times up to 62.5µs
- Standardized design process and production at fixed conditions
- 10 years guaranteed delivery

Distribución: **ER-SOFT, S.A.** Email: er@er-soft.com, Tel: +34 916 408 408

hilscher
COMPETENCE IN
COMMUNICATION

SERCOS III

Technical Data



The SERCOS III interface with the netX 50 requires a few external modules only.

Protocol

SERCOS III Slave		SERCOS III Master (in development)	
Real-Time Data	max. 400 Bytes (incl. Device Control/Status, Connection Control)	Real-Time Data	max. 11520 Bytes (incl. Device Control/Status, Connection Control)
Acyclic Data	Service channel: Read/write/standard commands	Acyclic Data	Service channel: Read/write/standard commands
Functions	Phase startup (NRT, CP0, CP1, CP2, CP3, CP4) Synchronization Ring and line topology	Functions	Phase startup (NRT, CP0, CP1, CP2, CP3, CP4) Synchronization Ring and line topology
Maximum Cycle Time	62.5µs	Maximum Number of Slaves	511
Maximum Number of Device Addresses	1	Version	1.1
Version	1.1		

Product Overview

cifX

Article Designation	Article Number	Article
CIFX 50-RE	1250.100	PCI Communication Interface - 2x RJ 45
CIFX 50E-RE	1251.100	PCI Express Communication Interface - 2x RJ 45
CIFX 80-RE	1280.100	CompactPCI Communication Interface - 2x RJ 45
CIFX 90-RE\F	1290.100	Mini PCI Communication Interface - Cable and AIFX-RE with 2x RJ 45
CIFX 104C-RE	1270.100	PCI-104 Communication Interface - 2x RJ 45
CIFX 104C-RE\F	1270.101	PCI-104 Communication Interface - Cable and AIFX-RE with 2x RJ 45
CIFX 104C-RE-R	1271.100	PCI-104 Communication Interface - 2x RJ 45, connection right
CIFX 104C-RE-R\F	1271.101	PCI-104 Communication Interface - Cable and AIFX-RE with 2x RJ 45, right

comX

Article Designation	Article Number	Article
COMX-CA-RE	1521.100	Communication Module netX for Real-Time-Ethernet, without loaded Firmware
COMX-CA-RE/S3S	1521.100/S3S	COMX-CA-RE with SERCOS III Slave Firmware

netX

Article Designation	Article Number
netX 50	2230.000
netX 100	2220.000
netX 500	2210.000

netSWITCH

Article Designation	Article Number	Article
NS 00 0000	1520.100	Communication Module netX for Real-Time-Ethernet, without loaded Firmware

Distribución: **ER-SOFT, S.A.** Email: er@er-soft.com, Tel: +34 916 408 408

Headquarters

Germany
Hilscher Gesellschaft für Systemautomation mbH
Rheinstrasse 15
65795 Hattersheim
Phone: +49 (0) 6190 9907-0
Fax: +49 (0) 6190 9907-50
E-Mail: info@hilscher.com
Web: www.hilscher.com

Subsidiaries

China
Hilscher Ges.f.Systemaut. mbH
Shanghai Representative Office
200010 Shanghai
Phone: +86 (0) 21-6355-5161
E-Mail: info@hilscher.cn

France
Hilscher France S.a.r.l.
69500 Bron
Phone: +33 (0) 4 72 37 98 40
E-Mail: info@hilscher.fr

Italy
Hilscher Italia srl
20090 Vimodrone (MI)
Phone: +39 02 25007068
E-Mail: info@hilscher.it

Japan
Hilscher Japan KK
Tokyo, 160-0022
Phone: +81 (0) 3-5362-0521
E-Mail: info@hilscher.jp

Switzerland
Hilscher Swiss GmbH
4500 Solothurn
Phone: +41 (0) 32 623 6633
E-Mail: info@hilscher.ch

USA
Hilscher North America, Inc.
Lisle, IL 60532
Phone: +1 630-505-5301
E-Mail: info@hilscher.us

Distributors

Australia
Fieldbus Specialists
www.fieldbus.com.au

Austria
VIPA Elektronik-Systeme GmbH
www.vipa.at

Belgium
TelereX N.V.
www.telereX-europe.com

Brazil
SoftBrasil Automacao Ltda.
www.softbrasil.com.br

Czech Republic
ZPA-Industry a.s.
www.zpaindustry.cz

Denmark
Novotek Denmark A/S
www.novotek.dk

Finland
Novotek Finland Oy
www.novotek.fi

France
HIGH'COM
www.highcom.fr

Korea
CREVIS Co.,LTD
www.crevis.co.kr

Netherlands
TelereX Nederland B.V.
www.telereX-europe.com

Norway
AD Elektronikk AS
www.ade.no

Poland
RACONROLS SP. z o.o.
www.racontrols.com.pl

Russia
ProSoft Ltd.
www.prosoft.ru

Singapore
Vector Info Tech Pte Ltd
www.vectorinfotech.com

South Africa
Innomatic
www.innomatic.co.za

Spain
Sistel Control s.l.
www.sistelcontrol.com

Sweden
Novotek Sverige AB
www.novotek.se

UK
Miles Industrial Electronics Ltd
www.milesie.co.uk

