

comX

Communication Module for Real-Time-Ethernet

CONNECTED BY
netX

Description

netX based comX-Modules gets it's identity by loading an appropriate firmware file. The following real-time Ethernet protocols are supported:



All stacks are implemented as slave protocols and are executed on the comX-Module. Data exchange with the host application is carried out via a Dual-Port-Memory interface. The process data images are available directly via memory read and write functions. The comX-Module features two RJ45 connectors for Ethernet.

Highlights

- All Real-Time Ethernet System use netX Network Controller
- Two Ethernet Ports with Switch and Hub for Line Topology
- System/Status/Link/Activity LEDs
- 8 or 16-Bit Host Application Interface
- USB & UART Diagnostic Interface
- Direct Process Data Access
- Same Dimensions and Pin Compatible like our well-known COM-C Module
- SYCON.net as configurator based on FDT/DTM
- Short 'Time-To-Market'



Scale 1:1

Headquarters

Germany
 Hilscher Gesellschaft für Systemautomation mbH
 Rheinstrasse 15
 65795 Hattersheim
 Phone: +49 (0) 6190 9907-0
 Fax: +49 (0) 6190 9907-50
 E-Mail: info@hilscher.com
 Web: www.hilscher.com

Subsidiaries

China
 Hilscher Ges.f.Systemaut. mbH
 Shanghai Representative Office
 200010 Shanghai
 Phone: +86 (0) 21-6355-5161
 E-Mail: info@hilscher.cn

France
 Hilscher France S.a.r.l.
 69500 Bron
 Phone: +33 (0) 4 72 37 98 40
 E-Mail: info@hilscher.fr

India
 Hilscher India Pvt. Ltd.
 New Delhi - 110 025
 Phone: +91 9810269248
 E-Mail: info@hilscher.in

Italy
 Hilscher Italia srl
 20090 Vimodrone (MI)
 Phone: +39 02 25007068
 E-Mail: info@hilscher.it

Japan
 Hilscher Japan KK
 Tokyo, 160-0022
 Phone: +81 (0) 3-5362-0521
 E-Mail: info@hilscher.jp

Switzerland
 Hilscher Swiss GmbH
 4500 Solothurn
 Phone: +41 (0) 32 623 6633
 E-Mail: info@hilscher.ch

USA
 Hilscher North America, Inc.
 Lisle, IL 60532
 Phone: +1 630-505-5301
 E-Mail: info@hilscher.us

Distributors

Australia
 Fieldbus Specialists
 www.fieldbus.com.au

Austria
 VIPA Elektronik-Systeme GmbH
 www.vipa.at

Belgium
 TelereX N.V.
 www.telereX-europe.com

Brazil
 SoftBrasil Automacao Ltda.
 www.softbrasil.com.br

Czech Republic
 ZPA-Industry a.s.
 www.zpaindustry.cz

Denmark
 Novotek Denmark A/S
 www.novotek.dk

Finland
 Novotek Finland Oy
 www.novotek.fi

France
 HIGH COM
 www.highcom.fr

Korea
 CREVIS Co.,LTD
 www.crevis.co.kr

Netherlands
 TelereX Nederland B.V.
 www.telereX-europe.com

Norway
 AD Elektrikk AS
 www.ade.no

Poland
 RAControls SP. z o.o.
 www.racontrols.com.pl

Russia
 ProSoft Ltd.
 www.prosoft.ru

Singapore
 Vector Info Tech Pte Ltd
 www.vectorinfotech.com

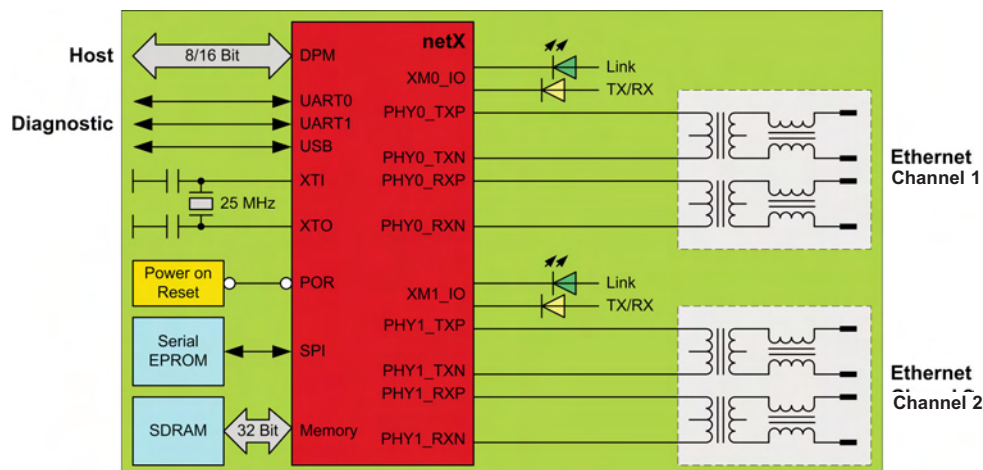
South Africa
 Innomatic
 www.innomatic.co.za

Spain
 Sistel Control S.L.
 www.sistelcontrol.com
 Novatronic Sistemas S.L.
 www.novatronicistemas.com

Sweden
 Novotek Sverige AB
 www.novotek.se

UK
 Miles Industrial Electronics Ltd
 www.milesie.co.uk

Block diagram comX-CA-RE



Technical Data

Parameter	Daten
Diagnostic Port	USB/UART
Interface	Dual-Port-Memory
Operating Voltage	3,3 V / max. 750 mA
Operating Temperature	0..60°C
Dimensions (L x W x H)	70 x 30 x 21,5 mm

Product overview

Description	Article No	Article
COMX-CA-RE	1521.100	Communication Modul netX for Real-Time-Ethernet, without loaded Firmware
/ECM	1521.100/ECM	COMX-CA-RE with EtherCAT Master Firmware, incl. Masterlicense
/ECS	1521.100/ECS	COMX-CA-RE with EtherCAT Slave Firmware
/EIM	1521.100/EIM	COMX-CA-RE with EtherNet/IP Scanner/Master Firmware, incl. Masterlicense
/EIS	1521.100/EIS	COMX-CA-RE with EtherNet/IP Adapter/Slave Firmware
/OMB	1521.100/OMB	COMX-CA-RE with Open Modbus/TCP Firmware
/PNS	1521.100/PNS	COMX-CA-RE with PROFINET IO RT Device
/PNM	1521.100/PNM	COMX-CA-RE with PROFINET IO RT Controller, incl. Masterlicense
/PLS	1521.100/PLS	COMX-CA-RE with PowerLINK Slave Firmware
/S3S	1521.100/S3S	COMX-CA-RE with SERCOS III Slave Firmware
/S3M	1521.100/S3M	COMX-CA-RE with SERCOS III Master incl. Masterlicense
COMX-CN-RE	1531.101	Communication Modul netX for Real-Time-Ethernet, without loaded Firmware
/ECM	1531.101/ECM	COMX-CN-RE with EtherCAT Master Firmware, incl. Masterlicense
/ECS	1531.100/ECS	COMX-CN-RE with EtherCAT Slave Firmware
/EIM	1531.100/EIM	COMX-CN-RE with EtherNet/IP Scanner/Master Firmware, incl. Masterlicense
/EIS	1531.100/EIS	COMX-CN-RE with EtherNet/IP Adapter/Slave Firmware
/OMB	1531.100/OMB	COMX-CN-RE with Open Modbus/TCP Firmware
/PNS	1531.100/PNS	COMX-CN-RE with PROFINET IO RT Device
/PNM	1531.100/PNM	COMX-CN-RE with PROFINET IO RT Controller, incl. Masterlicense
/PLS	1531.100/PLS	COMX-CN-RE with PowerLINK Slave Firmware
/S3S	1531.100/S3S	COMX-CN-RE with SERCOS III Slave Firmware
/S3M	1531.100/S3M	COMX-CN-RE with SERCOS III Master Firmware, incl. Masterlicense

Distribución: **ER-SOFT, S.A.** Email: er@er-soft.com, Tel: +34 916 408 408