

CIF

WINAC Driver of the Siemens Company



- Support for WinAC Basis and WinAC RTX
- S7 Module library in scope of delivery
- Easy configuration of the fieldbus systems using the SyCon system configurator
- Transparent exchange of the process data via STEP 7 data block
- Supports up to four Hilscher fieldbus cards simultaneously



■ The Application

The CIF WinAC driver permits the utilization of the Hilscher CIF fieldbus interface cards with the Siemens SIMATIC WinAC software. The fieldbus interface cards are supplied in all current form factors. With the driver, access is possible to all field buses such as InterBus, CANopen, DeviceNet or PROFIBUS.

■ The Hilscher CIF WinAC driver consists of three software components

- STEP 7 function- and data-block for integrating data transfer functions in STEP7 programs.
- Interface between WinLC and the device drivers dependent on the operating system
- Hilscher device drivers (CIF device driver/CIF RTX driver) for access to the CIF hardware

The scope of supply always consists of the hardware and a CD with the system configurator and documentation. A separate supply is not possible. The technical data of the hardware can be found on the data sheet.

CIF-WINAC Driver of the Siemens Company

Technical Information



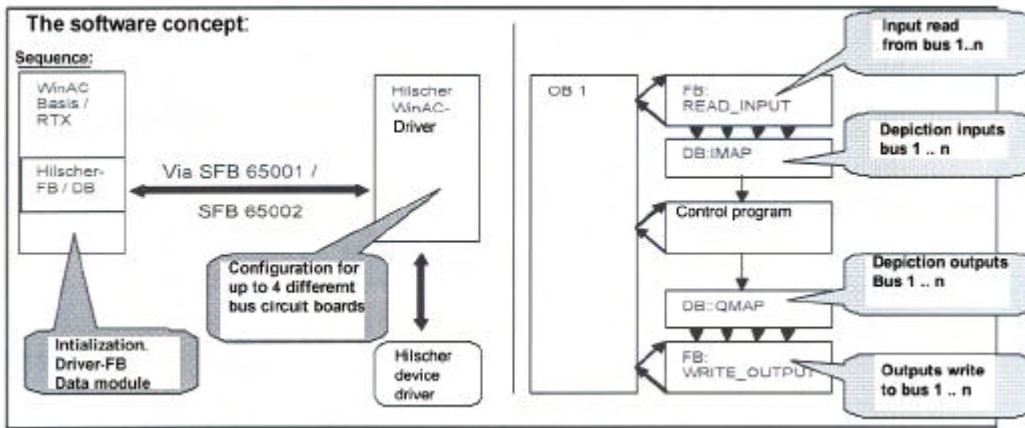
Information

The CIF WinAC driver functions are accessed from the STEP7 function blocks via two SFBs. One SFB initializes the CIF WinAC driver and the second is utilized for user data exchange and further functions. In the WinAC versions, the interfaces are based on so-called COM interfaces whereas WinAC RTX uses direct function calls.

Within the programmable controller cycles, two functions are needed in order to exchange the I/O data with the CIF hardware. Here, the user data of the CIF hardware are mapped transparently in data block of the STEP7 program (1DB inputs, 1 DB outputs).

The programming of the CIF WinAC driver takes place via a central configuration module (DB_CONFIG). No specific fieldbus configuration is required for the CIF WinAC driver, as the fieldbus system is configured via SyCon.

When starting up, the CIF WinAC driver determines from the configuration of the interface cards circuit board where the individual Slaves are arranged in the process image and uses the information for the mapping in the data blocks system of the STEP7 program.



Product overview

Card type	ISA	PCI	PCMCIA *	PC/104
CANopen-Master	CIF 30-COM/WINAC	CIF 50-COM/WINAC	CIF 60-COM/WINAC	CIF 104-COM/WINAC
DeviceNet-Master	CIF 30-DNM/WINAC	CIF 50-DNM/WINAC	CIF 60-DNM/WINAC	CIF 104-DNM/WINAC
InterBus-Master	CIF 30-IBM/WINAC	CIF 50-IBM/WINAC	CIF 60-IBM/WINAC	CIF 104-IBM/WINAC
PROFIBUS-DP-Master	CIF 30-PB/WINAC	CIF 50-PB/WINAC	CIF 60-PB/WINAC	CIF 104-PB/WINAC

*Not in the RTX version

Distribución: **ER-SOFT, S.A.** Email: er@er-soft.com, Tel: +34 916 408 408

Headquarter

Deutschland
Hilscher Ges. für Systemautomation mbH
Rheinstr. 15
D-65795 Hattersheim
Tel. +49(0)6190-9907-0
Fax +49(0)6190-9907-50
E-Mail: info@hilscher.com
web: www.hilscher.com

Subsidiaries

France
Hilscher France
FR-69500 Bron
Tel. +33(4)72379840
Fax +33(4)7268327
E-Mail: info@hilscher.fr
web: www.hilscher.fr

Italy
Hilscher Italia S.r.l.
IT 20090 MI, Vimodrone
Tel. +39(0)225007068
Fax +39(0)225029973
E-Mail: info@hilscher.it
web: www.hilscher.it

Schweiz
Hilscher Swiss GmbH
CH 4500 Solothurn
Tel. +41 32 6236 633
Fax +41 326 236 632
E-Mail: info@hilscher.ch
web: www.hilscher.ch

USA
Hilscher North America Inc.
US 60555Warrenville
Tel. +16308368677
Fax +16308368010
E-Mail: info@hilscher.us
web: www.hilscher.us

Distributors

Australia
Fieldbus Specialists
www.fieldbus.com.au

Austria
Elektronik-Systeme Lauer GmbH
www.elektronik-systeme.psoft.at

Belgium
TelereX N.V.S.A.
www.telereX-europe.com

Brazil
Soft Brasil Automacao Ltda.
www.softbrasil.com.br

China
Shanghai CIT Control
www.citcc.com-cn

Finland
Novotek Finland Oy
www.dosesoft.fi

Japan
Euro-Far-East Co. Ltd.
www.euro-fareast.co.jp

Korea
CREVIS Co.,LTD
www.CREVIS.co.kr

Netherlands
TelereX Nederland B.V.
www.telereX-europe.com

Norway
AD Elektronik AS
www.adeno

Portugal
MVA Electrotecnia
www.mva.pt

Russia
ProSoft Ltd.
www.prosoft.ru

Singapore
Vector Info Tech
www.vectorinfotech.com

South Africa
Innomatic
www.innomatic.co.za

Spain
Sistel Control SL
www.sistelcontrol.com

Sweden
Novotek Sverige AB
www.novotek.se

Tschechien
ZPA-Industry a.s.
www.zpaindustry.cz

UK
Miles Industrial Electronics Ltd
www.milesie.co.uk