

netDIMM

netX DIMM Module

netX DIMM Module Starter Board

CONNECTED BY
netx

Description

The netDIMM is industrial communication technology with the network controller netX based on the well-known DIMM-PC format. Or the easiest solution to build up devices of automation with fieldbus technology and Real-Time-Ethernet.

The netDIMM module comes with memory, oscillator, reset generator and DC/DC converter. Only the physical interface for Ethernet or fieldbus application has to be provided externally.

It is available as a HMI version and has on-board LCD and Touch controller. To design a machine terminal turns into an easy task, because together with Windows CE or Linux the netDIMM module enables soft-keys, SD/MMC-Card and USB interface.

Highlights

- netX 500 with ARM 926EJ-S / 200MHz
32/64 MB SDRAM / 16/32 MB Flash / 512 KB SRAM
LCD and Touch-Controller
USB, UART, SPI Interfaces
IOs or Extension Bus for Compact Flash
- 2 Real-Time Ethernet Ports with Switch and Hub
EtherNet/IP, EtherCAT, SERCOS III, Powerlink,
PROFINET
- Fieldbus Controller
CANopen, DeviceNet,
PROFIBUS / MPI*
- Board Support Packages
Windows CE, Linux, VxWorks
rcX Real-Time-Kernel
- Dimensions according DIMM-PC Standard



A starter board is available for evaluation purposes. The netDIMM Starter Board comes with interfaces for Ethernet, PROFIBUS and DeviceNet and has RS232C, USB and JTAG connectors on-board. The extension bus of the DIMM Module is available through headers for flat ribbon cables. The power supply for the starter board is also included.

All together, the Starter Board has everything needed to start developing and debugging own application software. Additionally, for the HMI option a TFT display is included and a SD/MMC-Card connector assembled.

Product Overview

Article description	Article number	Article
NDCM 500-HMI\F16D32	1811.560	netDIMM 500-Module HMI 16 MB Flash / 32 MB SDRAM / 512 KB SRAM
NDCM 500-HMI\F32D64	1811.670	netDIMM 500-Module HMI 32 MB Flash / 64 MB SDRAM / 512 KB SRAM
NDCM 100-NET\F4D8	1820.340	netDIMM 100-Module Network 4 MB serial Flash / 8 MB SDRAM / 2x Fieldbus
NDSB-NET	5800.000	netDIMM Starter Board Network
NDSB-HMI	5800.100	netDIMM Starter Board HMI 3.5" / 240x320 Colour TFT Display with Touch
+WINCE	8201.000	Run Time Lizenz Windows CE

* Note
At the **Distribución: ER-SOFT, S.A.** Email: er@er-soft.com, Tel: +34 916 408 408

hilscher
COMPETENCE IN
COMMUNICATION

Technical Information

Headquarters

Germany
Hilscher Gesellschaft für Systemautomation mbH
Rheinstrasse 15
65795 Hattersheim
Phone: +49 (0) 6190 9907-0
Fax: +49 (0) 6190 9907-50
E-Mail: info@hilscher.com
Web: www.hilscher.com

Subsidiaries

China
Hilscher Ges.f.Systemaut. mbH
Shanghai Representative Office
200010 Shanghai
Phone: +86 (0) 21-6355-5161
E-Mail: info@hilscher.cn

France
Hilscher France S.a.r.l.
69500 Bron
Phone: +33 (0) 4 72 37 98 40
E-Mail: info@hilscher.fr

India
Hilscher India Pvt. Ltd.
New Delhi - 110 025
Phone: +91 9810269248
E-Mail: info@hilscher.in

Italy
Hilscher Italia srl
20090 Vimodrone (MI)
Phone: +39 02 25007068
E-Mail: info@hilscher.it

Japan
Hilscher Japan KK
Tokyo, 160-0022
Phone: +81 (0) 3-5362-0521
E-Mail: info@hilscher.jp

Switzerland
Hilscher Swiss GmbH
4500 Solothurn
Phone: +41 (0) 32 623 6633
E-Mail: info@hilscher.ch

USA
Hilscher North America, Inc.
Lisle, IL 60532
Phone: +1 630-505-5301
E-Mail: info@hilscher.us

Distributors

Australia
Fieldbus Specialists
www.fieldbus.com.au

Austria
VIPA Elektronik-Systeme GmbH
www.vipa.at

Belgium
TelereX N.V.
www.telereX-europe.com

Brazil
SoftBrasil Automacao Ltda.
www.softbrasil.com.br

Czech Republic
ZPA-Industry a.s.
www.zpaindustry.cz

Denmark
Novotek Denmark A/S
www.novotek.dk

Finland
Novotek Finland Oy
www.novotek.fi

France
HIGH COM
www.highcom.fr

Korea
CREVIS Co.,LTD
www.crevis.co.kr

Netherlands
TelereX Nederland B.V.
www.telereX-europe.com

Norway
AD Elektronik AS
www.adn.no

Poland
RACONROLS SP. z o.o.
www.racontrols.com.pl

Russia
ProSoft Ltd.
www.prosoft.ru

Singapore
Vector Info Tech Pte Ltd
www.vectorinfotech.com

South Africa
Innomatic
www.innomatic.co.za

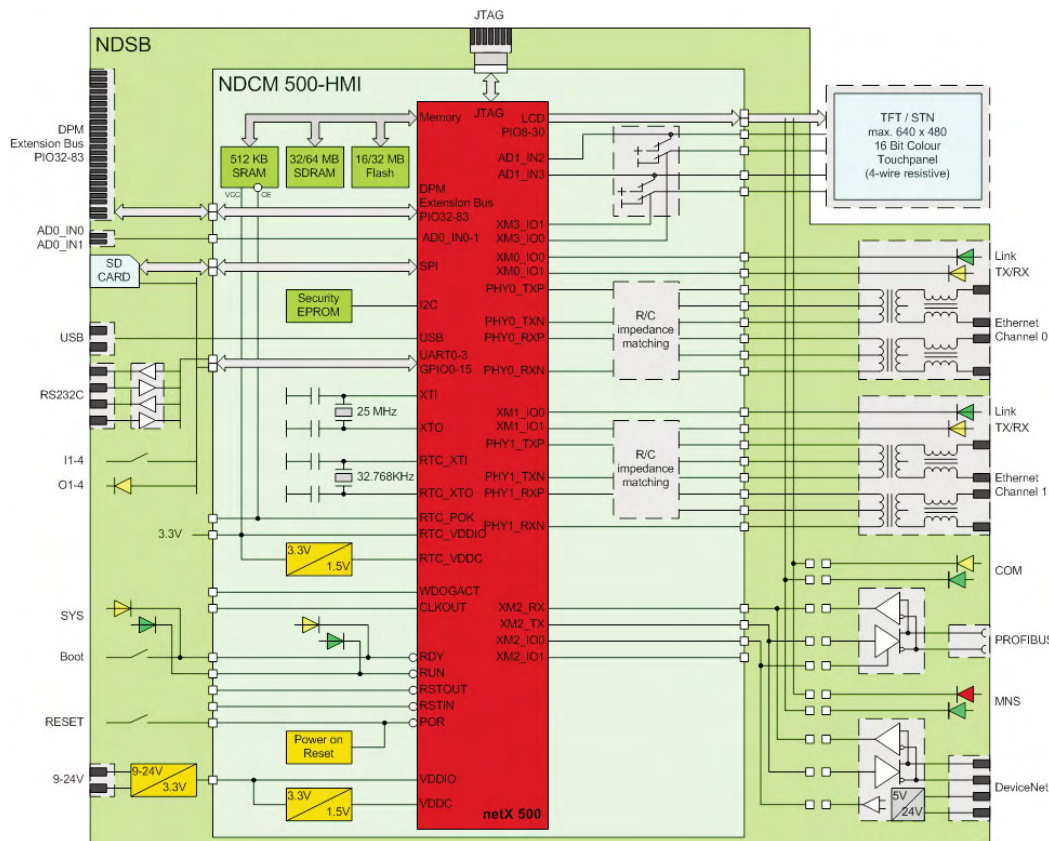
Spain
Sistel Control S.L.
www.sistelcontrol.com

Novatronic
Novatronic Sistemas S.L.
www.novatronicsistemas.com

Sweden
Novotek Sverige AB
www.novotek.se

UK
Miles Industrial Electronics Ltd
www.milesie.co.uk

Block Diagram



The block diagram shows the netDIMM 500 Module together with the starter board.

Technical Data NDCM 500-HMI

Processor	netX 500 with 200 MHz ARM 926EJ-S
Memory	16/32 MB Flash, 32/64 MB SDRAM 512 KB SRAM, buffered externally
LCD-Controller	640x480, 16-Bit Color TFT/STN, Touch
Interfaces	USB 1.1, SPI, 3x UART or 16x GPIO, JTAG,
AD-Converter	2 Channels, 10-Bit, 1MS/s, S&H
2 Ethernet-Ports	10BASE-T/100BASE-TX, integrated PHYs, IEEE 1588 EtherCAT with 3 FMMUs and 4 SyncManager EtherNet/IP Powerlink, integrated Hub, Response Delay max. 1µs PROFINET, integrated Switch
Fieldbus Controller	CANopen, DeviceNet, PROFIBUS
Extension	Dual-Port Memory, Extension Bus or 52x IO
Dimensions	67,6 x 40 mm, according to DIMM Standard
Power Consumption	600 mA @ 3.3 V
Operating Temperature	-25...+55°C

Distribución: **ER-SOFT, S.A.** Email: er@er-soft.com, Tel: +34 916 408 408