

Description

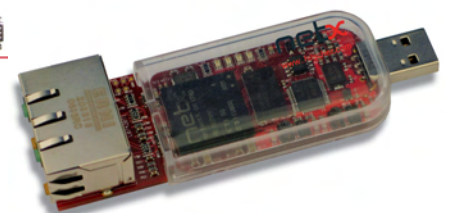
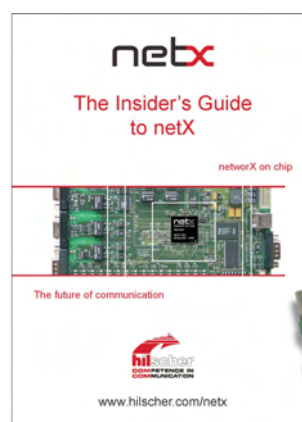
The network controller netX 50 with its 32 bit / 200 MHz ARM CPU offers a high computing performance and controller functions for all leading fieldbusses and Real-Time-Ethernet systems. It has an internal dual-port-memory and can be connected without additional components to a host system as communication interface. Together with a protocol stack and a real-time kernel the complete function can be implemented easy and without development risk.

The easiest and cheapest possibility to evaluate the complete system and to add own functions is given by the netSTICK. It contains a complete communication interface for Real-Time-Ethernet respectively the fieldbusses PROFIBUS, DeviceNet or CC-Link and 8 MByte memory. It is realised as a type of a memory stick and is connected and used at the USB port of a PC. It contains an integrated debug interface and is shipped together with the HiTOP development environment of company Hitex. The provided Insider's Guide document contains beside comprehensive explanations and background information step by step instructions how to write an application program with the license free real-time kernel rcX or how to load a protocol stack into the netSTICK and execute it. For this, HiTOP offers with its integrated GNU compiler a comfortable development and debugging environment. You can develop code unrestricted and load this for testing by the provided HiTOP to the netSTICK only.

The provided 'netX Configuration and Diagnostic Utility' provides an example program for the netSTICK using 16 digital input and output on any network supported.

Highlights

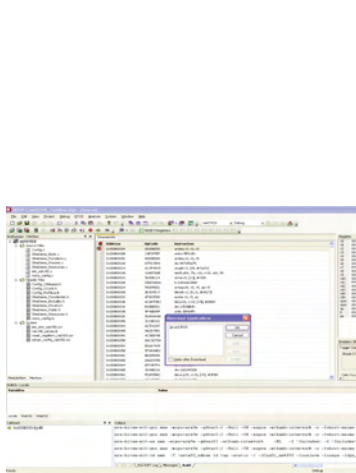
- Low cost netX 50 target system with Real-Time-Ethernet or PROFIBUS / DeviceNet / CC-Link
- Integrated Debug Interface
- HiTOP Software development and debugging environment
- Evaluation of network protocols and application on the netX
- Cheap, easy to use and complete
- Comprehensive Insiders Guide to netX with step-by-step instructions



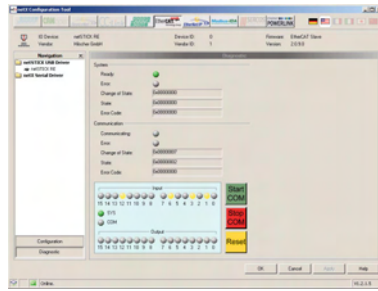
netSTICK

netX 50 evaluation & development

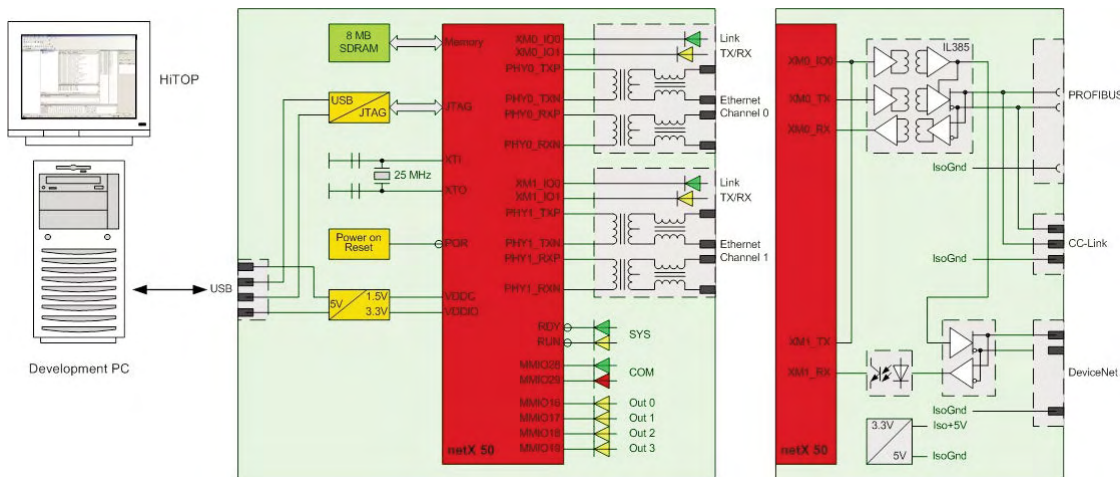
Block Diagram



HiTOP
User interface



netX Utility to
operate the
netSTICK as an
simple IO device



Technical Data

Parameter	Value
Processor	netX 50
Memory	8 MB SDRAM
Displays	System LED Communication LED
Output	Out 0-3, LEDs
PC Interface	USB Device V1.1 / Type A

Parameter	Value
Communication interface	
NXSTK 50-RE	2x Ethernet 100 BASE-TX, RJ45
NXSTK 50-FB	PROFIBUS-DP, DSub female, 9 pin DeviceNet, connector with screws, 5 pin CC-Link, connector with screws, 5 pin
Power Supply	+5V / 500 mA via USB Port Operating
Temperature	0° ... 55° C
Size (L x W x H)	110 x 34 x 14 mm

Product Overview

Article Designation	Article number	Article
NXSTK 50-RE	1610.100	netSTICK with Real-Time-Ethernet Interface
NXSTK 50-FB	1610.000	netSTICK with Feldbus Interface for PROFIBUS, DeviceNet and CC-Link

Note

The n
confo **Distribución: ER-SOFT, S.A.** Email: er@er-soft.com, Tel: +34 916 408 408

Headquarters

Germany
Hilscher Gesellschaft für
Systemautomation mbH
Rheinstrasse 15
65795 Hattersheim
Phone: +49 (0) 6190 9907-0
Fax: +49 (0) 6190 9907-50
E-Mail: info@hilscher.com
Web: www.hilscher.com

Subsidiaries

China
Hilscher Ges.f.Systemaut. mbH
Shanghai Representative Office
200010 Shanghai
Phone: +86 (0) 21-6355-5161
E-Mail: info@hilscher.cn

France
Hilscher France S.a.r.l.
69500 Bron
Phone: +33 (0) 4 72 37 98 40
E-Mail: info@hilscher.fr

India
Hilscher India Pvt. Ltd.
New Delhi - 110 025
Phone: +91 9810269248
E-Mail: info@hilscher.in

Italy
Hilscher Italia srl
20090 Vimodrone (MI)
Phone: +39 02 25007068
E-Mail: info@hilscher.it

Japan
Hilscher Japan KK
Tokyo, 160-0022
Phone: +81 (0) 3-5362-0521
E-Mail: info@hilscher.jp

Switzerland
Hilscher Swiss GmbH
4500 Solothurn
Phone: +41 (0) 32 623 6633
E-Mail: info@hilscher.ch

USA
Hilscher North America, Inc.
Lisle, IL 60532
Phone: +1 630-505-5301
E-Mail: info@hilscher.us

Distributors

Australia
Fieldbus Specialists
www.fieldbus.com.au

Austria
VIPA Elektronik-Systeme GmbH
www.vipa.at

Belgium
TelereX N.V.
www.telereX-europe.com

Brazil
SoftBrasil Automacao Ltda.
www.softbrasil.com.br

Czech Republic
ZPA-Industry a.s.
www.zpaindustry.cz

Denmark
Novotek Denmark A/S
www.novotek.dk

Finland
Novotek Finland Oy
www.novotek.fi

France
HIGH'COM
www.highcom.fr

Korea
CREVIS Co.,LTD
www.crevis.co.kr

Netherlands
TelereX Nederland B.V.
www.telereX-europe.com

Norway
AD Elektronikk AS
www.ade.no

Poland
RAControls SP. z o.o.
www.racontrols.com.pl

Russia
ProSoft Ltd.
www.prosoft.ru

Singapore
Vector Info Tech Pte Ltd
www.vectorinfotech.com

South Africa
Innomatic
www.innomatic.co.za

Spain
Sistel Control S.L.
www.sistelcontrol.com

Sweden
Novatronic Sistemas S.L.
www.novatronicsistemas.com

Switzerland
Novotek Sverige AB
www.novotek.se

UK
Miles Industrial Electronics Ltd
www.milesie.co.uk