

Description

With the application of Ethernet technologies to the factory floor several features have been broadly adopted requiring a new generation of test hardware to monitor and diagnose industrial Ethernet networks. Hardware must exist that can reside within a 2 port bus segment requiring an integrated hub or switch depending on the Ethernet protocol used. Secondly the analyzer must be able to accurately record the time events on the network to a resolution that is far beyond the needs of the office network environment.

These diagnostic features allow the user to properly monitor critical industrial functions including propagation time and jitter of the Real-Time-Ethernet protocols.

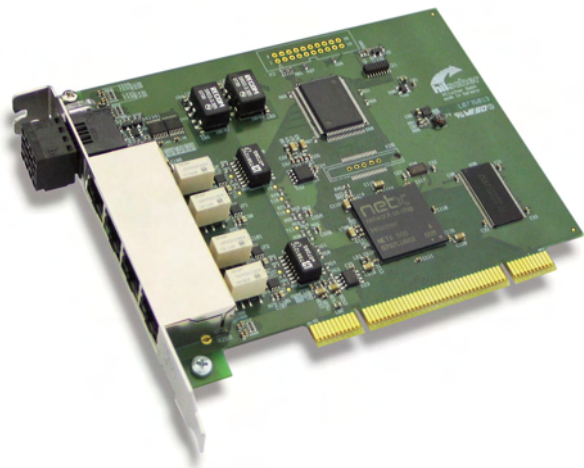
To properly measure delay times and jitter up to four Ethernet Ports are required on a full duplex network, rarely available on a standard PC but an integral part of the netANALYZER. Traditional Ethernet tools based on standard PC cards provide Time measurement within a microsecond, but for real time Ethernet protocols this must be better by a factor of 1,000.

The netANALYZER, an intelligent PC card, possesses internal TAPs and captures two Ethernet connections bidirectional. Each Ethernet frame gets a time stamp with a resolution of 10ns. With this, delay times and jitter can be measured. For further analysis this data can be transferred to Wireshark with the open WinPCAP format. Plugins for Wireshark are available for the EtherCAT, EtherNet/IP, Powerlink, PROFINET and SERCOS III protocols.

In fact, everyone implementing a Real-Time Ethernet protocol into a device should have a network analyzer.

Highlights

- PCI card with integrated TAPs
- Four channels to capture two Ethernet connections with both data directions
- Time stamp for Ethernet frames with 10ns resolution
- IO event signals for analyzer software
- Open WinPcap file format for data analysis with Wireshark



netANALYZER

Technical Details

Headquarters

Germany
 Hilscher Gesellschaft für Systemautomation mbH
 Rheinstrasse 15
 65795 Hattersheim
 Phone: +49 (0) 6190 9907-0
 Fax: +49 (0) 6190 9907-5
 E-Mail: info@hilscher.com
 Web: www.hilscher.com

Subsidiaries

China
 Hilscher Ges.f.Systemaut. mbH
 Shanghai Representative Office
 200010 Shanghai
 Phone: +86 (0) 21-6355-5161
 E-Mail: info@hilscher.cn

France
 Hilscher France S.a.r.l.
 69500 Bron
 Phone: +33 (0) 4 72 37 98 40
 E-Mail: info@hilscher.fr

Italy
 Hilscher Italia srl
 20090 Vimodrone (MI)
 Phone: +39 02 25007068
 E-Mail: info@hilscher.it

Japan
 Hilscher Japan KK
 Tokyo, 160-0022
 Phone: +81 (0) 3-5362-0521
 E-Mail: info@hilscher.jp

Switzerland
 Hilscher Swiss GmbH
 4500 Solothurn
 Phone: +41 (0) 32 623 6633
 E-Mail: info@hilscher.ch

USA
 Hilscher North America, Inc.
 Lisle, IL 60532
 Phone: +1 630-505-5301
 E-Mail: info@hilscher.us

Distributors

Australia
 Fieldbus Specialists
 www.fieldbus.com.au

Austria
 VIPA Elektronik-Systeme GmbH
 www.vipa.at

Belgium
 Telerex N.V.
 www.telerex-europe.com

Brazil
 SoftBrasil Automacao Ltda.
 www.softbrasil.com.br

Czech Republic
 ZPA-Industry a.s.
 www.zpaindustry.cz

Denmark
 Novotek Denmark A/S
 www.novotek.dk

Finland
 Novotek Finland Oy
 www.novotek.fi

France
 HIGH'COM
 www.highcom.fr

Korea
 CREVIS Co.,LTD
 www.crevis.co.kr

Netherlands
 Telerex Nederland B.V.
 www.telerex-europe.com

Norway
 AD Elektronik AS
 www.ade.no

Poland
 RAControls SP. z o.o.
 www.racontrols.com.pl

Russia
 ProSoft Ltd.
 www.prosoft.ru

Singapore
 Vector Info Tech Pte Ltd
 www.vectorinfotech.com

South Africa
 Innomatic
 www.innomatic.co.za

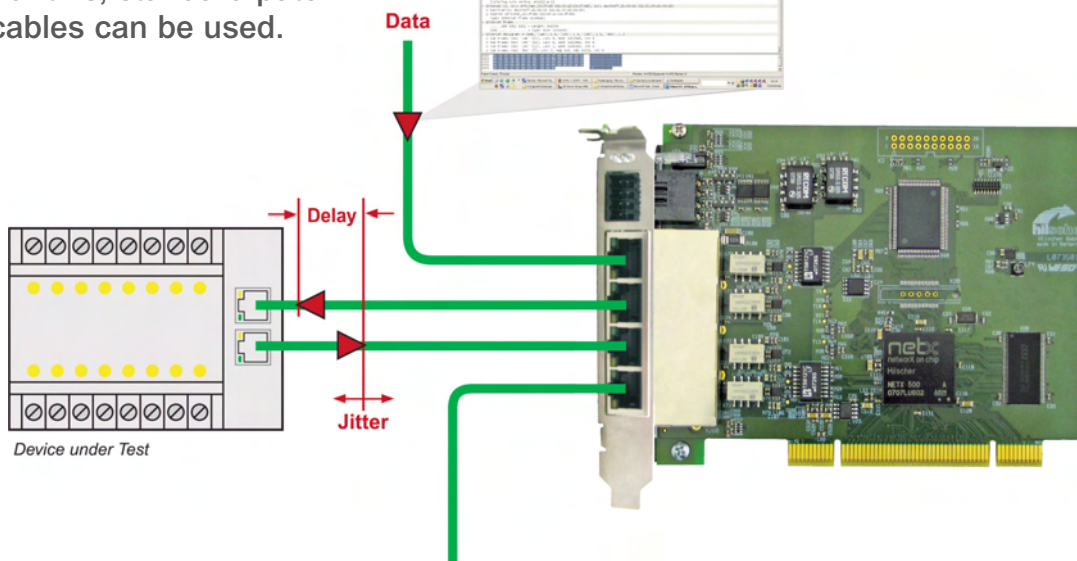
Spain
 Sistel Control s.l.
 www.sistelcontrol.com

Sweden
 Novotek Sverige AB
 www.novotek.se

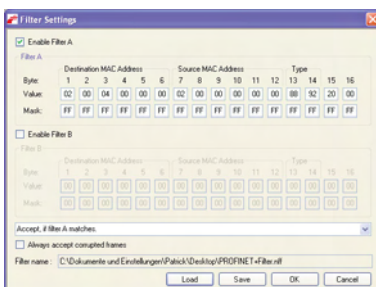
UK
 Miles Industrial Electronics Ltd
 www.milesie.co.uk

Application

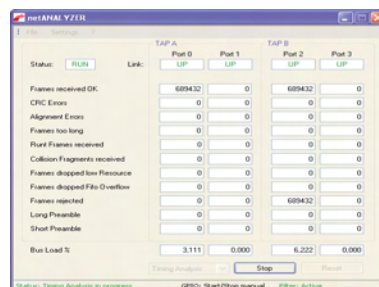
The Ethernet cables of the device under test are connected to the TAPs of the netANALYZER. For this, standard patch cables can be used.



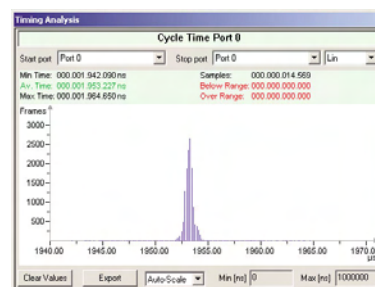
The start and stop of capturing traffic can be controlled by the netANALYZER program. The data is then stored on the hard drive where Wireshark can access this data for analysis. Free plugins are available on the internet for; EtherCAT, Ethernet/IP, Powerlink, PROFINET and SERCOS III.



Settings of the filter parameters



Status display and error counter



Graphic display of the bus cycle time

Technical Data

| Parameter | Value |
|-----------|--|
| Channels | 4, Ethernet 100 BASE-TX, RJ45 |
| TAP | 2, integrated |
| Displays | SYS / System Status STA0 / Capturing active / inactive STA1 / Event signal detected Link and Activity per channel |

| Parameter | Value |
|-----------------------|-------------------|
| Timestamp Resolution | 10 ns |
| PC Interface | PCI V2.3 / 33 MHz |
| Power Supply | 3.3 V / 800 mA |
| Operating Temperature | 0° ... 55° C |
| Size (L x W x H) | 137 x 107 x 16 mm |

Product Overview

Distribución: **ER-SOFT, S.A.** Email: er@er-soft.com, Tel: +34 916 408 408