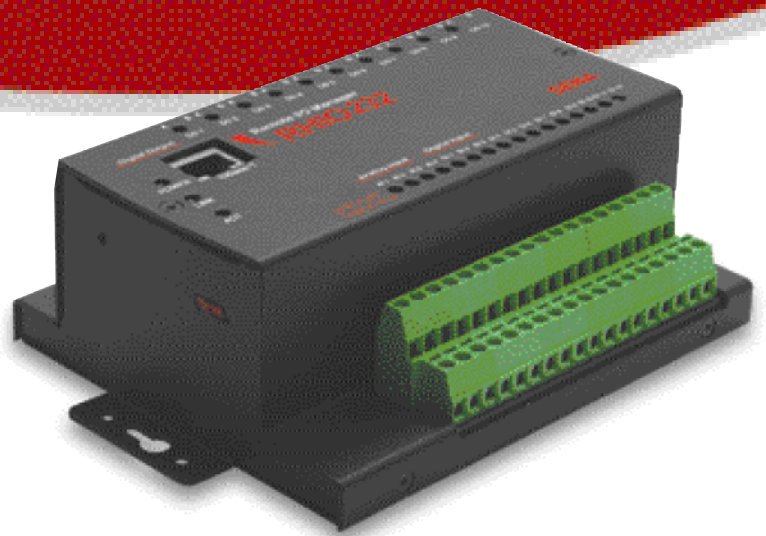


Remote I/O Manager, RHIO232



Features

- RS232 serial connection with Device Servers
- 12 optically isolated digital inputs (0 ~ 24V)
- 10 digital relay outputs, Max. 220V level
- 4 channel 10-bit resolution analog inputs for basic data acquisition
- Basic programmable logic output functions such as AND, OR, NOT and Delay
- Supports both wall and DIN-Rail style mounting
- Management using easy-to-use Windows utility
- Windows DLL support for the easier integration with user program

The Rhio232, is a Serial I/O Manager enables Device Servers to control and monitor I/O devices. It is designed to connect to the Device Servers through RS232 interface of them.

The Rhio232 provides 12 optically isolated digital inputs (0 ~ 24V), 10 digital relay outputs of max. 220V level, 4 channel 10-bit resolution analog inputs for basic data acquisition. The digital output operation can be set up with basic programmable logic such as AND, OR, NOT and delay function. The analog inputs are configured either as alarm detection using threshold mechanism or general data acquisition. The input system operates in event-driven mode that allows the unit to send data based on change-of-state or alarm conditions. All the inputs and outputs are protected from damage under power on/off conditions.

Users may configure the Rhio232 by using easy-to-use Windows-based utility software or by using telnet or serial console. The Rhio Manager, Windows utility also enables users to perform the basic I/O control and monitoring for test purpose. Users may easily write their own application program to communicate with Rhio232 with the help of free MFC libraries for Windows.

Typical application areas include:

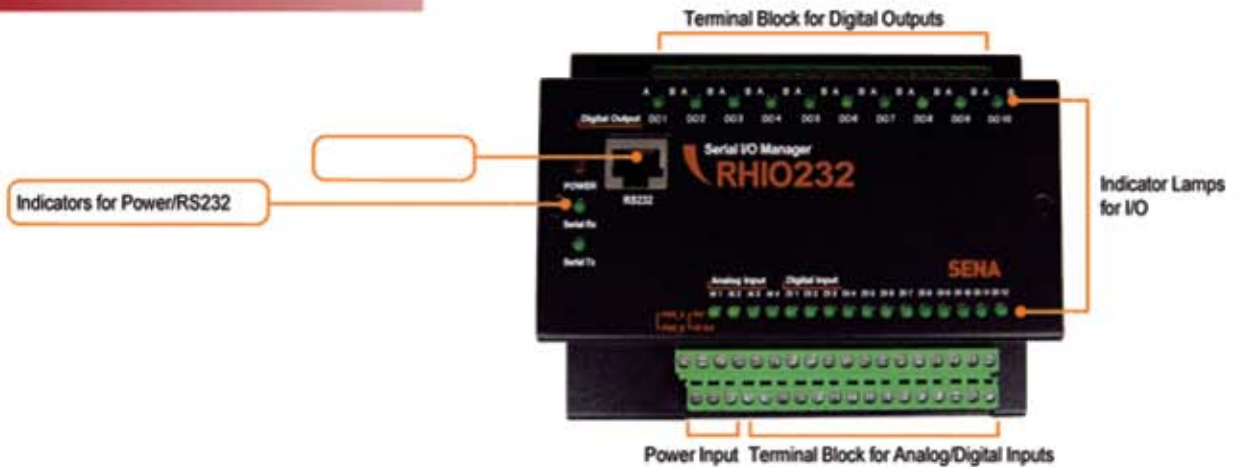
- Remote Data Acquisition Systems
- Remote Data Acquisition
- Remote Distributed I/O Systems
- Automated Machine Monitoring
- Industrial Instrumentation
- Discrete Control
- Distributed Data Acquisition System

Windows Utility, Rhio manager



Remote I/O Manager, RHIO232

Panel Layout



Specifications

Serial Interface

- RS232 with RJ45 connector
 - * Baud rate : 9,600 bps
 - * Flow control : None
 - * Data : 8 bit
 - * Stop : 1 bit

Digital Input

- Number of channels: 12
- Input type: Voltage
- Input circuitry: Optically isolated photocoupler
- Input range: 0V ~ 24V
 - OFF: 0V ~ 1.2V
 - ON: 3.3V ~ 24V
- Sampling rate: 20ms
- Isolation voltage: 5KV

Digital Output

- Number of channels: 10
- Output type: Relay
- Rated load: 3A/240VAC
- Insulation resistance: 1000 Min (DC500V)
- Electrical life expectancy: 100,000 operations
- Isolation voltage (coil and contact): 4KV
- Reaction within 10ms

Analog Input

- Number of channels: 4
- Effective resolution: 10-bit
- Input type: Voltage, Direct coupling
- Input range: 0V ~ Aref (Analog reference voltage, 2~5V)
- Sampling rate: 1000 samples/sec

Management

- Rhio Manager Windows Utility

Software Support

- Windows MFC DLL library
- I/O configuration, I/O status monitoring/control

Diagnostic LED

- Power, Link, Act
- Digital Output, 1~10
- Digital Input, 1~12
- Analog Input, 1~4

Power

- 9V ~ 48VDC, Max. 5W

Environmental

- Operating temperature: 0°C to 50°C
- Storage temperature: -20°C to 66°C
- Humidity: 90% Non-condensing

Physical properties

- Dimension (L x W x H) 137 x 111 x 58 (mm)
- 5.4 x 4.4 x 2.3 (in.)
- Weight: 730g

Certification

- FCC (A), CE, MIC

Warranty

- 5-year limited warranty

Ordering Information

RHIO232 RHIO232 Serial I/O Manager

- Includes:**
- Quick Start Guide
 - CAT5 cable
 - RJ-45 - DB9 Female Straight Cable Adapter
 - CD - ROM
 - DIN-Rail mount kit



U.S. / Canada / South America

Tel : +1 (408) 573-7425 Fax: +1 (408) 907-3738

EU / Africa

Tel : +33 (0) 1 53 53 16 29 Fax: +33 (0) 1 70 24 70 90

Asia / Pacific

Tel : +82-2-571-8283 Fax: +82-2-573-7710

Contact us via E-mail

General Information : info@sena.com
 Sales & Distribution : sales@sena.com
 Technical Support : support@sena.com

For more information, please visit us at
<http://www.sena.com>