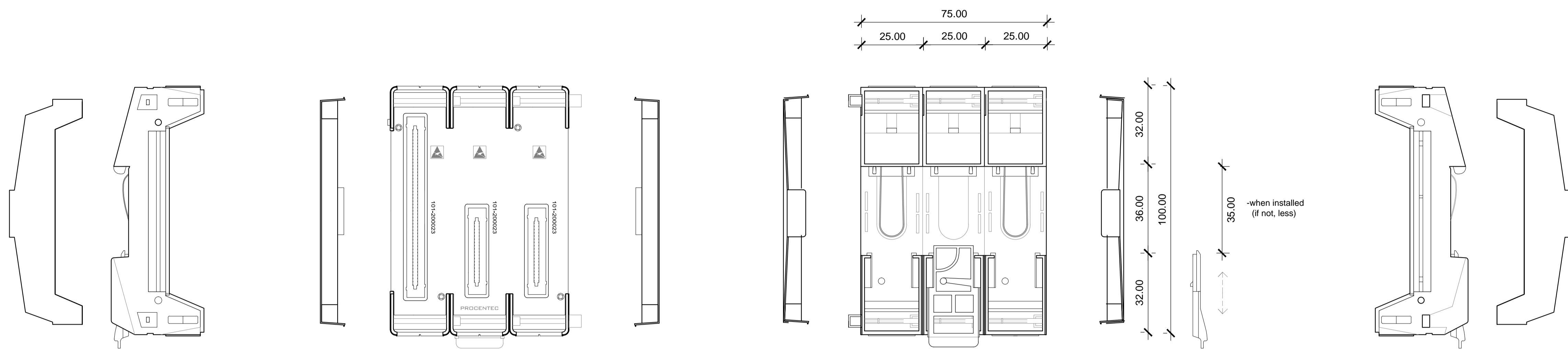
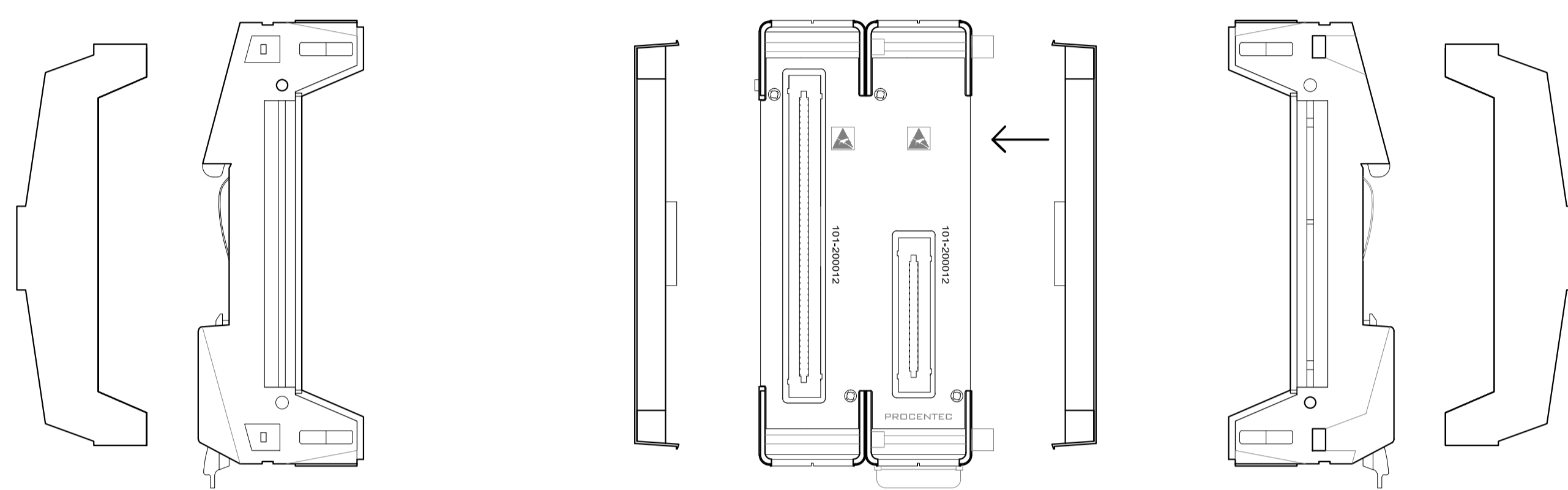


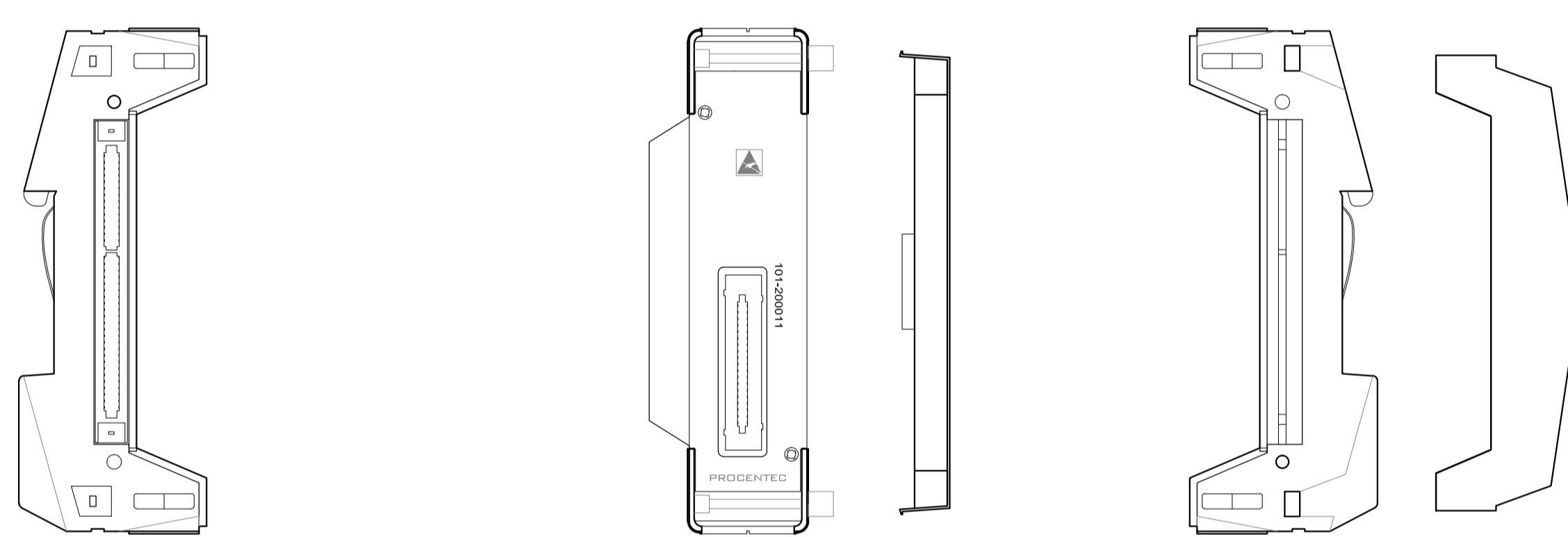
COMbricks backplanes



HEAD + 2CH



HEAD + 1CH



ADDITION

COMbricks complete 2 Channel unit

